

REPAIR PARTS MANUAL
MODEL NO. GT52F (96043020000)
GARDEN TRACTOR

Jonsered®

HOW TO USE THIS MANUAL

This manual is designed to provide the customer with a means to identify the parts on his/her tractor when ordering repair parts. The illustrations may or may not represent the actual assemblies; therefore, it is not recommended to use this manual as a guide to assemble or disassemble the tractor. Some hardware and parts are drawn larger in order to more readily identify them.

Each tractor has its own model number.

The model number for your tractor can be found on the fender under the seat.

When ordering parts, always give the following information:

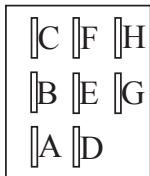
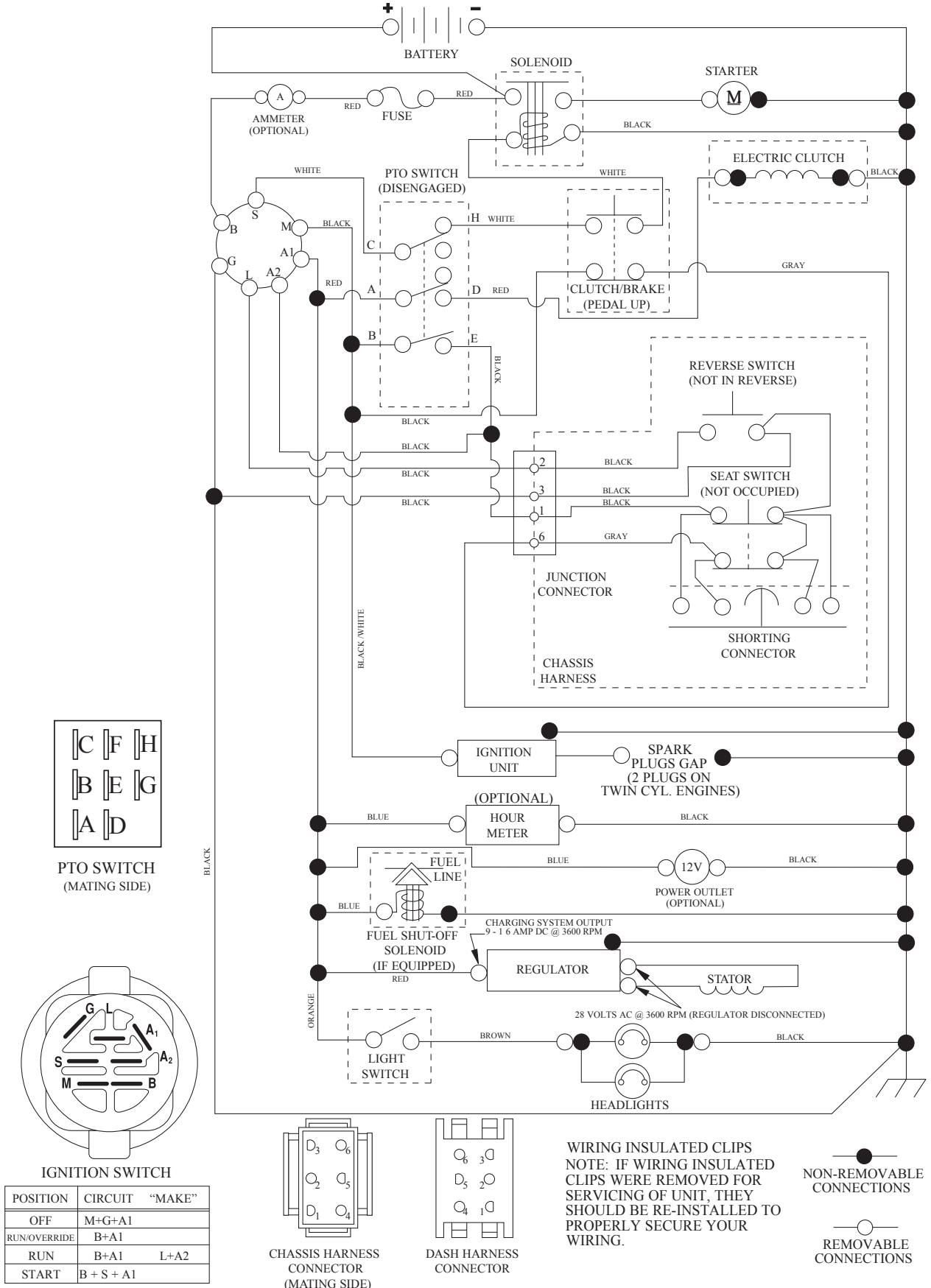
- Product - "TRACTOR"
- MODEL NUMBER - "GT52F" (96043020000)"
- Part Number
- Part Description

TABLE OF CONTENTS

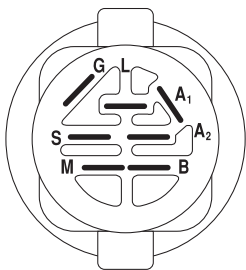
SCHEMATIC	3
ELECTRICAL.....	4-5
CHASSIS	6-7
DRIVE.....	8-9
ENGINE.....	10-11
STEERING	12-13
MOWER DECK	14-15
MOWER LIFT.....	16
SEAT	17
DECALS.....	18

TRACTOR - - MODEL NO. GT52F (9604302000), PRODUCT NO. 960 43 02-00 SCHEMATIC

SCH12

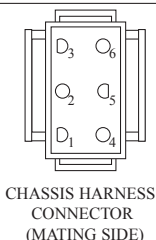


PTO SWITCH
(MATING SIDE)

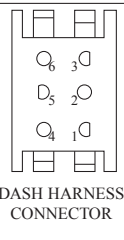


IGNITION SWITCH

POSITION	CIRCUIT	"MAKE"
OFF	M+G+A1	
RUN/OVERRIDE	B+A1	
RUN	B+A1	L+A2
START	B + S + A1	

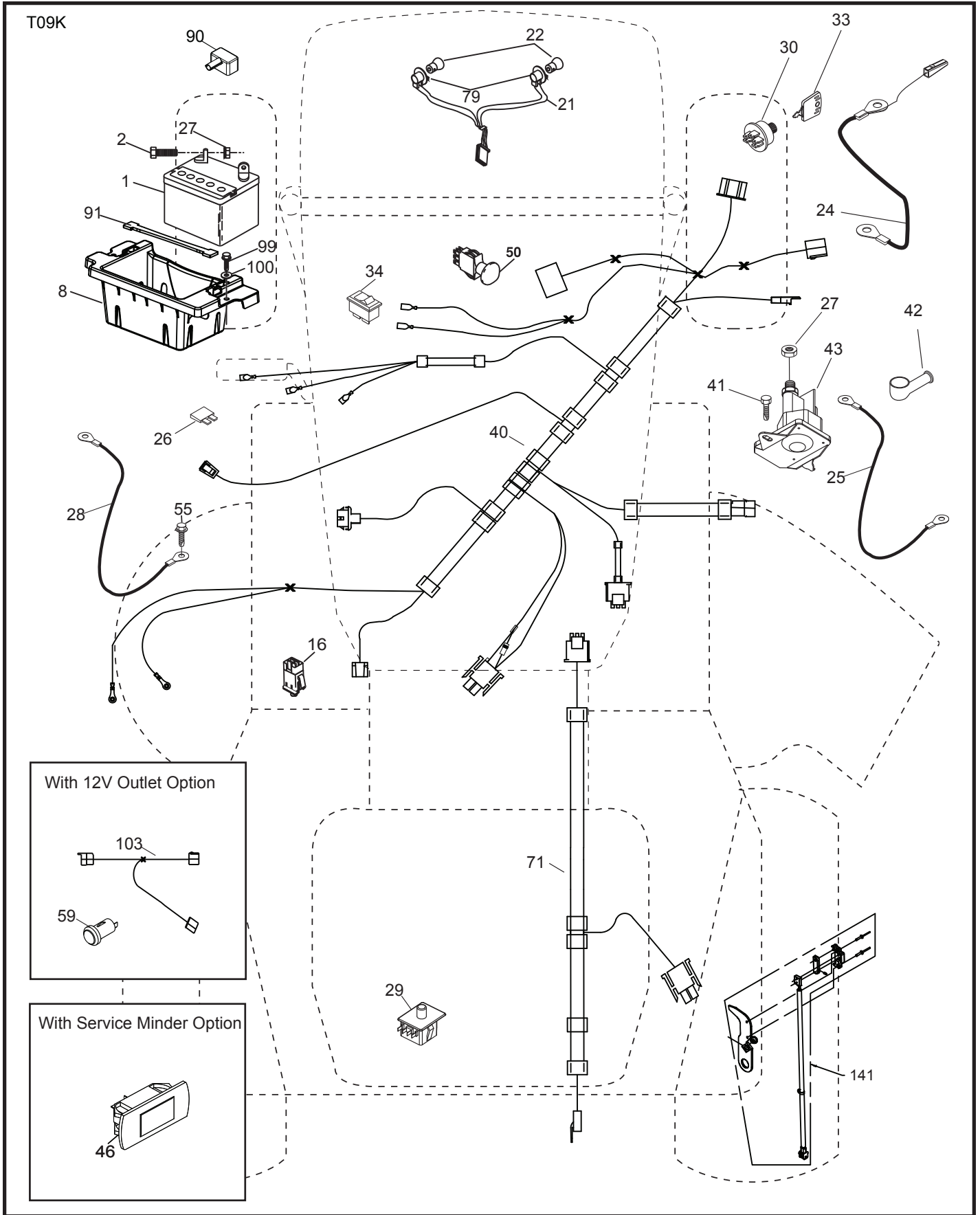


CHASSIS HARNESS
CONNECTOR
(MATING SIDE)



DASH HARNESS
CONNECTOR

**TRACTOR - - MODEL NO. GT52F (96043020000), PRODUCT NO. 960 43 02-00
ELECTRICAL**

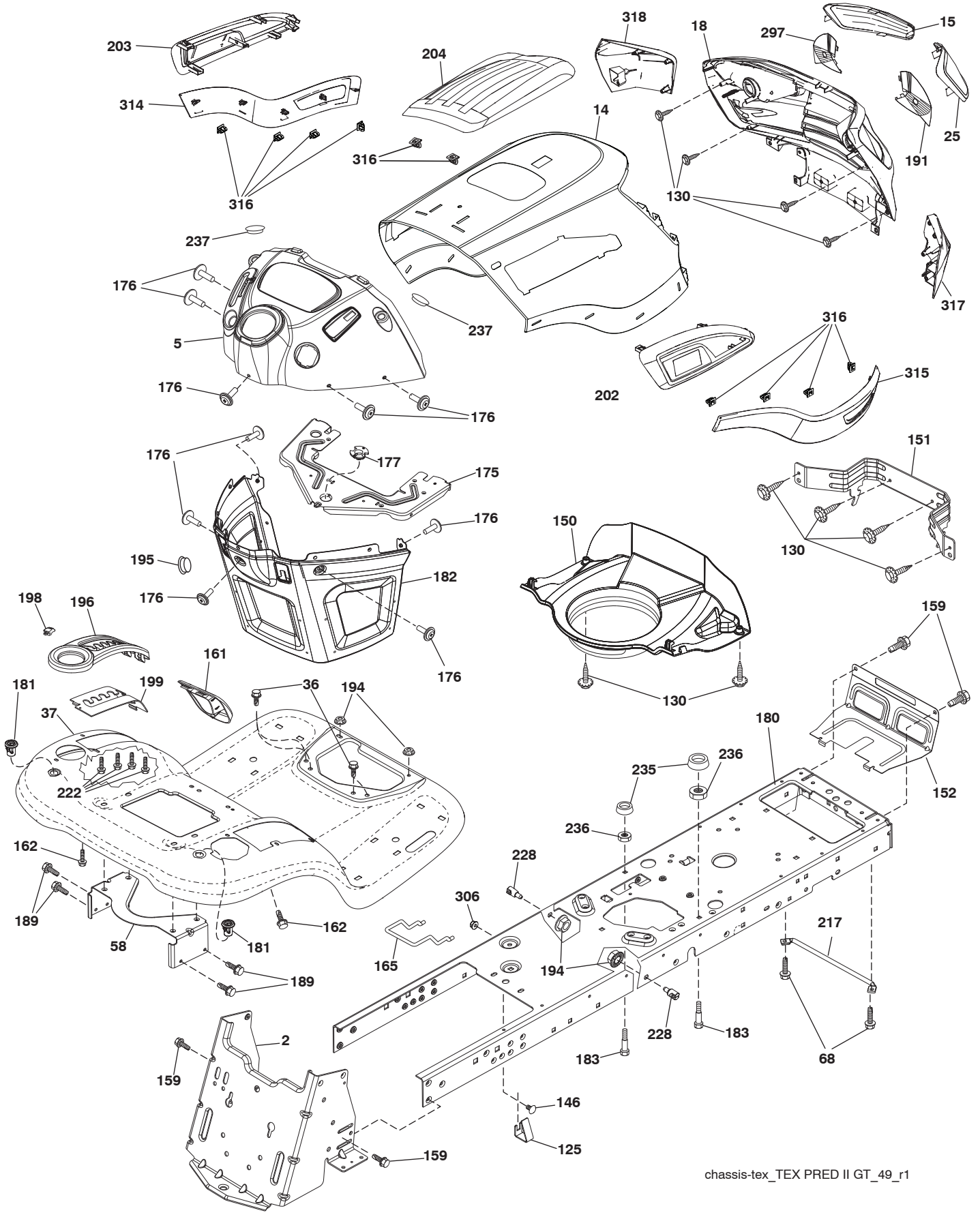


**TRACTOR - - MODEL NO. GT52F (96043020000), PRODUCT NO. 960 43 02-00
ELECTRICAL**

KEY NO.	PART NO.	DESCRIPTION
1	532 16 34-65	Battery
2	874 76 04-12	Bolt Hex Hd. 1/4-20 unc x 3/4
8	532 18 64-91	Box Battery
16	532 17 61-38	Switch Interlock Push-In
21	532 40 02-52	Harness Socket Light w/4152J
22	532 00 41-52	Bulb Light
24	585 55 56-01	Cable Battery
25	585 55 55-01	Cable Starter
26	532 17 51-58	Fuse
27	873 51 04-00	Nut Keps Hex 1/4-20 unc
28	532 41 65-88	Cable, Ground
29	532 19 27-49	Switch, Seat
30	532 19 33-50	Switch, Ign.
33	532 41 19-33	Key/Chain
34	532 11 07-12	Switch Light/Reset
40	532 40 11-04	Harness Ign. Dash
41	817 72 04-08	Screw Thd Cut 1/4-20 x 1/2
42	532 13 15-63	Cover Terminal
43	532 19 25-07	Solenoid
46	586 16 18-01	Gauge Service Reminder
50	532 17 46-51	Switch PTO
55	817 06 05-12	Screw Thdrol. 5/16-18 x 3/4 TYTT
71	532 19 42-76	Harness Ign. Chassis
79	532 17 52-42	Bulbholder Asm. Incandescent
90	532 43 53-95	Cover Terminal Battery
91	532 19 02-70	Strap Battery
99	817 67 04-12	Screw
100	819 09 14-16	Washer 9/32 x 7/8 x 16 Ga.
141	532 42 12-25	Kit ROS

NOTE: All component dimensions given in U.S. inches.
1 inch = 25.4 mm

**TRACTOR - - MODEL NO. GT52F (9604302000), PRODUCT NO. 960 43 02-00
CHASSIS**



chassis-tex_TEX PRED II GT_49_r1

**TRACTOR - - MODEL NO. GT52F (96043020000), PRODUCT NO. 960 43 02-00
CHASSIS**

KEY PART NO.	PART NO.	DESCRIPTION	KEY PART NO.	PART NO.	DESCRIPTION
2	580 43 44-01	Drawbar	191	532 42 54-07	Insert Reflective RH
5	532 42 47-38	Dash	194	873 90 05-00	Nut Lock Hex Flange 5/16-18
14	587 96 26-01	Hood	195	532 40 41-37	Plug Hole Dash Lower
15	587 89 86-01	Lens LH	196	532 41 18-78	Console Asm. Deck Lift
18	587 78 57-01	Grille	198	532 44 15-52	Indicator Deck Lift
25	587 89 84-01	Lens RH	199	532 19 63-77	Plate Deck Lift
36	817 06 05-12	Screw 5/16-18 x 3/4	202	587 78 52-01	Vent Side Hood RH
37	532 44 38-16	Fender	203	587 78 51-01	Vent Side Hood LH
58	532 19 43-14	Bracket Support Fender	204	587 96 32-01	Vent Top Hood Asm
68	817 49 05-08	Screw Thdrol 5/16-18 x 1/2	217	532 40 91-67	Rod Pivot
125	581 68 48-01	Clip Fuel Line	222	532 13 77-29	Screw Thd Roll 1/4-20 x 5/8
130	532 41 63-58	Screw #10 x 0.750	228	532 19 51-61	Stud Fastner
146	581 85 79-01	Bolt	235	532 40 61-29	Spacer Fender
150	584 86 29-01	Air Duct	236	873 93 05-00	Nut Lock 5/16-18 unc
151	532 44 54-94	Bracket Pivot	237	532 40 37-04	Plug Mount Cargo
152	532 19 95-35	Shield Browning	297	532 42 54-06	Insert Reflective LH
159	817 00 06-12	Screw Hexwsh Thrd 3/8-16 x 3/4	306	873 90 06-00	Nut Lock
161	532 41 18-79	Console Fuel Window	314	587 78 39-01	Trim Hood Side LH
162	532 14 24-32	Screw	315	587 78 38-01	Trim Hood Side RH
165	532 19 43-30	Support Tank Rear	316	532 42 16-99	Clip Trim
175	532 19 63-04	Crossmember	317	587 96 35-01	Bumper RH
176	532 40 07-76	Screw 10-24 x 5/8	318	587 96 33-01	Bumper LH
177	532 19 52-27	Bushing Steering			
180	532 44 55-59	Chassis			
181	532 43 97-46	Bushing Mtg. Fender Crgo			
182	532 40 68-59	Dash Lower			
183	874 52 05-20	Bolt 5/16-18 x 1-1/4			
189	817 00 05-12	Screw 5/16-18 x 3/4			

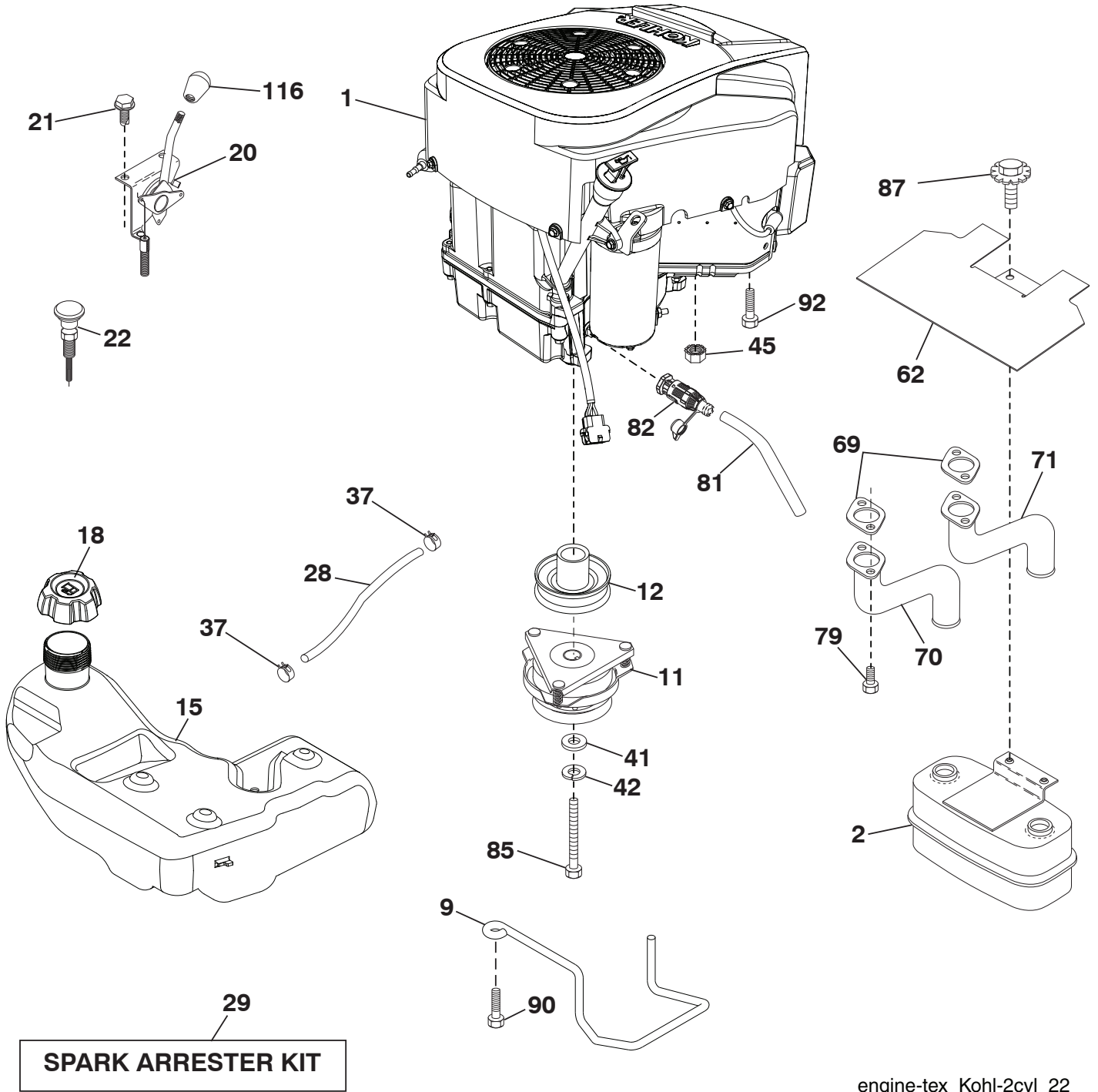
NOTE: All component dimensions given in U.S. inches.
1 inch = 25.4 mm

TRACTOR - - MODEL NO. GT52F (96043020000), PRODUCT NO. 960 43 02-00 DRIVE

KEY PART NO.	PART NO.	DESCRIPTION	KEY PART NO.	PART NO.	DESCRIPTION
1	---	Transaxle, Hydro G7-BCBB-1XDC-1FCA (420331) (Order parts from transaxle manufacturer.)	160	532 16 94-84	Retainer Clip
2	532 00 70-70	Key 1/4 x 2.5	161	532 10 57-09	Spring, Return, Clutch
3	532 00 75-63	Washer Thrust Axle Hardened	163	532 41 81-85	Rod Pedal Control
7	532 19 98-37	Hub Asm. Wheel	166	532 42 91-64	Nut Push .625
9	532 14 00-80	Bolt Hub Wheel	167	532 40 52-57	Latch Brake Parking
15	819 13 13-16	Washer 13/32 x 13/16 x 16 Ga.	184	587 65 37-01	Handle Parking Brake
17	532 19 72-96	Spring, Brake	186	532 19 43-21	Spacer Retainer
26	532 19 96-79	Spring Return Cruise	187	819 13 32-10	Washer
29	532 41 81-86	Rod, Brake	188	532 19 43-23	Link Clutch Ground Drive
33	812 00 00-53	Ring E	189	532 40 75-04	Bellcrank Ground Drive
35	583 86 45-01	Rod, Brake, Park	190	532 40 75-05	Keeper Bellcrank Ground Drive
42	532 12 48-72	Cover, Foot Pedal	196	817 00 06-16	Screw 3/8-16 x 1
48	872 11 06-12	Bolt Carr Sh 3/8-16 x 1-1/2 Gr. 5	197	532 19 97-69	Bracket Clutch Anti-Rotation
49	872 11 06-14	Bolt	203	819 11 11-16	Washer 11/32 x 11/16 x 16 Ga.
50	532 19 43-27	Pulley Idler Flat	206	532 44 85-96	Bracket Mount Latch Cruise
51	873 90 06-00	Lock Nut 3/8-16	207	532 19 78-68	Latch Control Cruise
52	532 19 43-26	Idler V-Groove Offset	208	532 19 78-69	Gear Sector Control Cruise
56	532 42 08-07	V-Belt, Drive	209	532 19 95-92	Rod Control Cruise
64	532 19 78-65	Shaft Asm. Pedal Brake Control	210	532 19 78-60	Rocker Asm. Pedal Control
69	532 12 38-00	Washer 1-1/32 x 1-5/8 x 16 Ga.	211	532 12 01-83	Bearing Nylon
73	874 49 05-48	Bolt Hex 5/16-18 x 3 Gr. 5	213	532 40 31-19	Knob Control Cruise
74	532 14 24-32	Screw 1/4 x 1/2	214	532 42 12-63	Pedal Forward
80	532 41 81-84	Strap Torque	215	532 40 17-23	Pedal Reverse
92	874 76 05-20	Bolt 5/16-18 x 1/2	221	532 40 31-87	Retainer Spring Clip Handle
99	532 41 81-88	Spring Bypass	222	879 21 20-10	Washer 21/32 x 1-1/4 x 10 Ga.
114	873 80 05-00	Nut Lock Hex W/Ins. 5/16-18 unc	224	532 41 22-98	Console Toolbox
116	873 90 05-00	Nut Lock Hex Flange 5/16-18	306	876 02 04-16	Pin Cotter 1/8 x 1
121	532 17 56-11	Bracket Strap Torque	323	585 71 41-01	Sleeve Bellcrank
122	872 01 05-20	Bolt 5/16-18 x 2.50			
125	817 00 05-12	Screw 5/16-18 x 3/4			
145	532 16 31-68	Washer Axle Flange			
153	532 12 47-88	Retainer Spring			
159	876 02 04-12	Pin Cotter 1/8 x 3/4			

NOTE: All component dimensions given in U.S. inches.
1 inch = 25.4 mm

TRACTOR - - MODEL NO. GT52F (9604302000), PRODUCT NO. 960 43 02-00
ENGINE



**TRACTOR - - MODEL NO. GT52F (96043020000), PRODUCT NO. 960 43 02-00
ENGINE**

KEY PART NO.	PART NO.	DESCRIPTION
1	---	Engine Kohler Model No. KT745-3050 (587835901) (Order parts from engine manufacturer.)
2	532 14 97-23	Muffler
9	532 40 86-67	Keeper Belt Engine
11	532 17 93-35	Clutch
12	532 19 43-43	Pulley Engine
15	532 43 80-81	Tank Fuel
18	581 17 61-01	Cap Fuel
20	532 42 61-84	Control Throttle
21	532 41 63-58	Screw # 10 x 0.750
22	532 19 15-96	Control Choke
28	532 40 11-35	Fuel Line
29	532 13 71-80	Spark Arrester Kit
37	532 12 34-87	Clamp Hose
41	532 12 61-97	Washer 1-1/2 x 15/32 x .250
42	810 04 07-00	Washer Lock 7/16
45	873 51 04-00	Nut Keps Hex 1/4-20 unc
62	532 43 40-17	Shield Heat
69	532 18 60-54	Gasket
70	583 95 45-01	Exhaust Tube LH
71	583 95 48-01	Exhaust tube RH
79	532 19 23-34	Screw Socket Hd. 5/16-18 x .75
81	532 14 84-56	Tube Drain Oil Easy
82	532 42 82-87	Valve Oil Drain
85	532 17 99-53	Bolt Hex 7/16-20 x 3.75 Gr. 5
87	537 17 18-77	Bolt 5/16-18 unc x 3/4 w/Sems
90	817 00 06-16	Screw 3/8-16 x 1
92	817 12 06-16	Screw 3/8-16 x 1
116	539 13 26-24	Knob Shift Soft

NOTE: All component dimensions given in U.S. inches.
1 inch = 25.4 mm

For engine service and replacement parts, call the toll
free number for your engine manufacturer listed below:

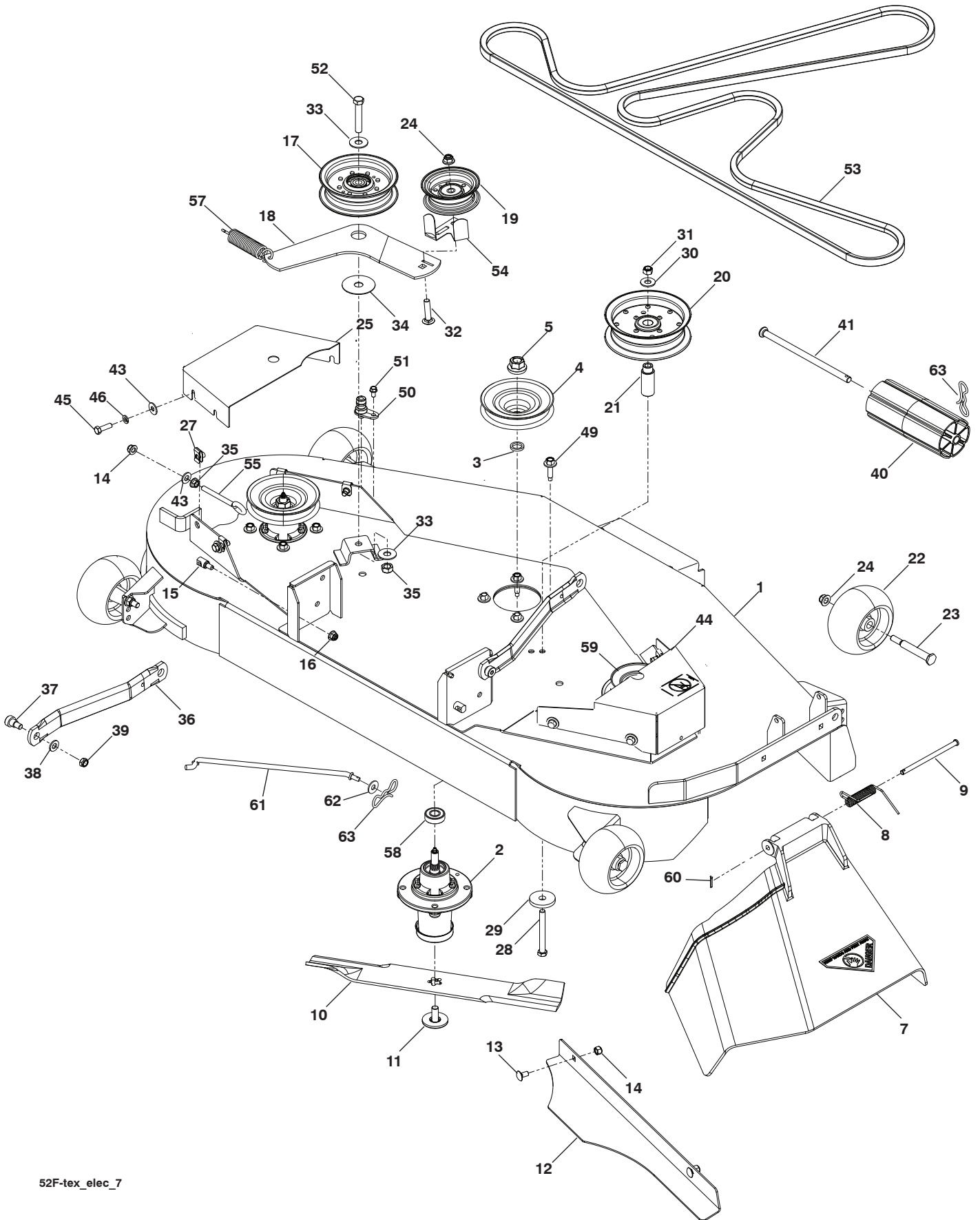
Kohler Co. 1-800-544-2444

**TRACTOR - - MODEL NO. GT52F (96043020000), PRODUCT NO. 960 43 02-00
STEERING ASSEMBLY**

KEY NO.	PART NO.	DESCRIPTION
1	532 42 41-46	Wheel, Steering
2	532 19 59-68	Axle Cast Iron
4	532 40 30-89	Spindle Asm., LH
5	532 40 30-90	Spindle Asm., RH
6	532 12 49-31	Washer, Thrust
7	532 12 17-48	Washer 25/32 x 1-5/8 x 16 Ga.
8	812 00 00-29	Ring, Klip #T5304-75
9	532 12 12-32	Cap, Spindle
13	532 12 17-49	Washer 25/32 x 1-1/4 x 16 Ga.
14	810 04 06-00	Washer, Lock Hvy Hlcl Spr 3/8
15	873 54 06-00	Nut, Crown Lock 3/8-24 unf
16	532 40 82-19	Shaft Steering
19	532 19 47-29	Plate Steering
20	532 42 47-40	Boot Steering
21	532 18 67-37	Adapter, Wheel Steering
22	532 42 05-37	Steering Support
26	532 42 41-47	Insert, Wheel Steering
28	817 00 06-12	Screw 3/8-16 x 3/4
35	532 19 47-32	Gear, Sector Plate
45	819 18 38-12	Washer 9/16 ID x 2-3/8 OD 12 Ga.
50	873 90 06-00	Nut Lock Flg. 3/8-16 unc
51	873 94 08-00	Nut Hex Jam Toplock 1/2-20 unf
53	532 18 89-67	Washer Hardened .793 x 1.637 x .060
54	874 76 06-36	Bolt Hex 3/8-16 x 2-1/4
55	532 41 47-36	Spacer Brace Axle
58	532 19 47-47	Bolt Shoulder Sector Pivot CFM
59	532 19 47-48	Washer Thrust Sector Steering
60	873 97 10-00	Nut Flange Lock 5/8-11
61	532 19 47-40	Draglink, LH
62	532 19 47-41	Draglink, RH
63	817 00 05-12	Screw 5/16-18 x 3/4
64	532 19 98-49	Retainer Clip Spring Steering
65	532 19 47-34	Brace Axle Front
66	871 02 07-48	Bolt
67	532 19 47-37	Bushing PM Front Axle
68	873 90 07-00	Nut Lock Flange 7/16-14 Gr. 5
69	532 19 91-62	Washer 1.5 x .505 x .118
70	585 33 88-01	Bracket Deck Susp. Front
78	532 05 70-79	Washer Thrust
122	532 44 49-62	Cap Gear

NOTE: All component dimensions given in U.S. inches.
1 inch = 25.4 mm

TRACTOR - - MODEL NO. GT52F (96043020000), PRODUCT NO. 960 43 02-00
MOWER DECK



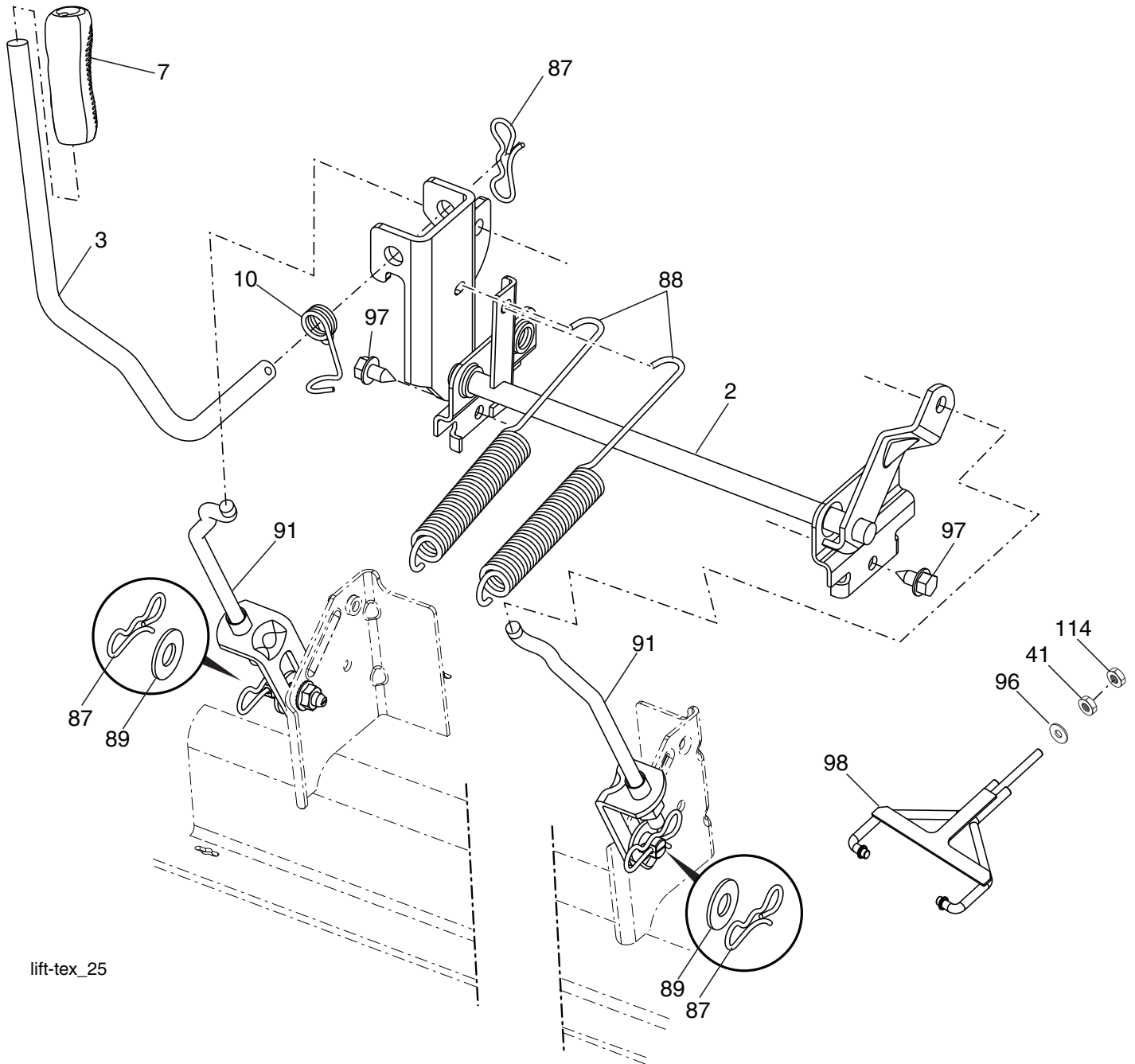
52F-tex_elec_7

**TRACTOR - - MODEL NO. GT52F (96043020000), PRODUCT NO. 960 43 02-00
MOWER DECK**

KEY NO.	PART NO.	DESCRIPTION	KEY NO.	PART NO.	DESCRIPTION
1	574 80 44-01	Deck w/Decals	36	532 19 51-85	Arm, Susp., Rear
2	539 11 21-70	Housing Assembly	37	539 11 36-21	Sb 3/8-16 x 3/8 Skt Hd
3	539 18 76-90	Washer-Spacer	38	819 13 13-16	Washer 13/32 x 13/16 x 16 Ga.
4	532 17 43-75	Pulley Driven Deck	39	539 20 02-82	Nut, 3/8-16 Hex Jam Nyloc
5	532 40 02-34	Nut, 9/16 Top Center Lock	40	532 17 60-66	Roller Nose
7	539 11 07-33	Discharge Chute	41	532 17 91-27	Rod Roller Nose
8	539 11 07-35	Spring - Torsion	43	819 12 14-14	Washer 3/8 x 7/8 x 14 Ga.
9	539 11 07-36	Pin, Clevis 5/16 x 5.19	44	575 96 73-02	Shield, Belt RH
10	574 87 08-01	Blade, 16-1/4"	45	874 78 05-16	Bolt Fin Hex 5/16-18 unc x 1
11	532 19 30-03	Bolt, 7/16, Assy Blade	46	810 03 05-00	Washer 5/16
12	574 87 50-02	Confinement Plate	49	584 95 39-01	Bolt Hex Wshhd 313-18 x 1.19
13	872 11 05-05	Bolt Carr 5/16-18 x 5/8	50	532 41 55-98	Washout Port
14	873 80 05-00	Nut 5/16-18 Hex	51	817 49 04-08	Bolt, 1/4-20 x 1/2
15	532 19 51-61	Stud, Fasten w/ Anti- Rotate	52	874 78 07-40	Bolt Hex 7/16-14 x 2-1/2
16	539 11 28-99	Nut 5/16-18 Hex Flange Nyloc	53	574 84 56-03	Belt, Deck
17	532 19 61-04	Pulley, Idler Spec. Hub	54	532 14 10-43	Guard TUV Idler
18	574 84 18-02	Arm, Idler, Blk	55	539 11 55-74	Eyebolt 5/16 x 3-1/2
19	532 17 79-68	Pulley, Idler	57	539 10 68-50	Spring
20	539 13 27-28	Pulley, Idler	58	532 11 04-85	Ball Bearing
21	575 22 45-01	Idler Bushing	59	575 35 29-01	Pulley
22	532 13 39-57	Wheel, Gauge	60	532 16 94-84	Clip Retainer
23	532 19 34-06	Bolt, Shoulder	61	532 40 03-37	Rod Anti-Sway
24	521 99 65-01	Nut 3/8-16 Hex Flg Nyloc	62	819 13 13-12	Washer 13/32 x 13/16 x 12 Ga.
25	575 22 47-02	Shield, Belt LH	63	532 19 42-08	Pin Cotter 5/16 Bow Tie Lock
27	539 10 47-63	Retainer 5/16c U Type	--	532 41 64-05	Coupling Quick Connect
28	539 10 82-71	Hcs 3/8-16 x 3-1/2 Gr 5	--	587 90 47-01	Mower Deck Complete
29	539 10 65-04	Heavy Washer			
30	819 14 16-14	Washer, 3/8 Flat Std			
31	539 97 69-79	Nut 3/8-16 Hex Nyloc			
32	539 99 09-23	Rhsnb 3/8-16 x 1-3/4 Gr 5			
33	539 10 48-64	Washer, 7/16 Flat			
34	532 17 85-15	Washer, Flat Hardened			
35	873 90 07-00	Nut Lock Flange 7/16-14 Gr. 5			

NOTE: All component dimensions given in U.S. inches.
1 inch = 25.4 mm

**TRACTOR - - MODEL NO. GT52F (96043020000), PRODUCT NO. 960 43 02-00
MOWER LIFT**



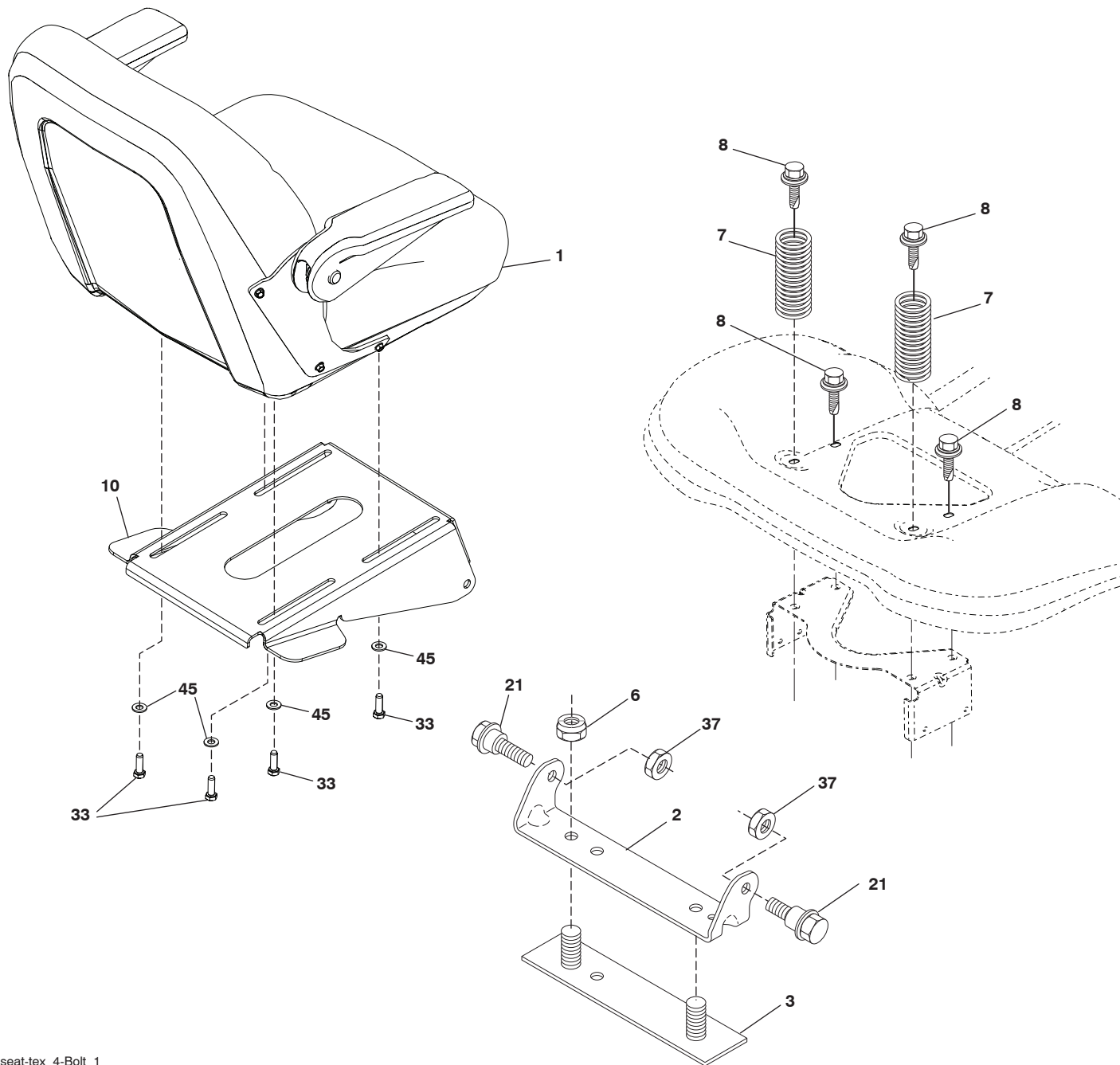
lift-tex_25

KEY PART NO.	PART NO.	DESCRIPTION
2	532 42 20-27	Shaft Asm., Lift
3	532 19 52-30	Lever Asm., Lift RH
7	580 96 23-01	Grip, Lever
10	532 19 63-14	Spring Torsion
41	532 17 59-94	Nut Lift Link 7/16 x 20
87	532 19 42-09	Pin Cotter 7/16 Bow Tie Lock
88	532 19 53-04	Spring Lift Assist
89	819 19 19-12	Washer Clear Zinc

KEY PART NO.	PART NO.	DESCRIPTION
91	532 40 34-07	Link Lift Susp Mower Rear
96	532 19 52-63	Bushing
97	817 00 06-12	Screw 3/8-16 x .75 Smgml Tap/R.Z
98	574 82 25-01	Link Lift Susp. Front Mower
114	873 36 07-00	Nut Hex Jam ASF 7/16-20 unf

NOTE: All component dimensions given in U.S. inches.
1 inch = 25.4 mm

TRACTOR - - MODEL NO. GT52F (96043020000), PRODUCT NO. 960 43 02-00 SEAT ASSEMBLY



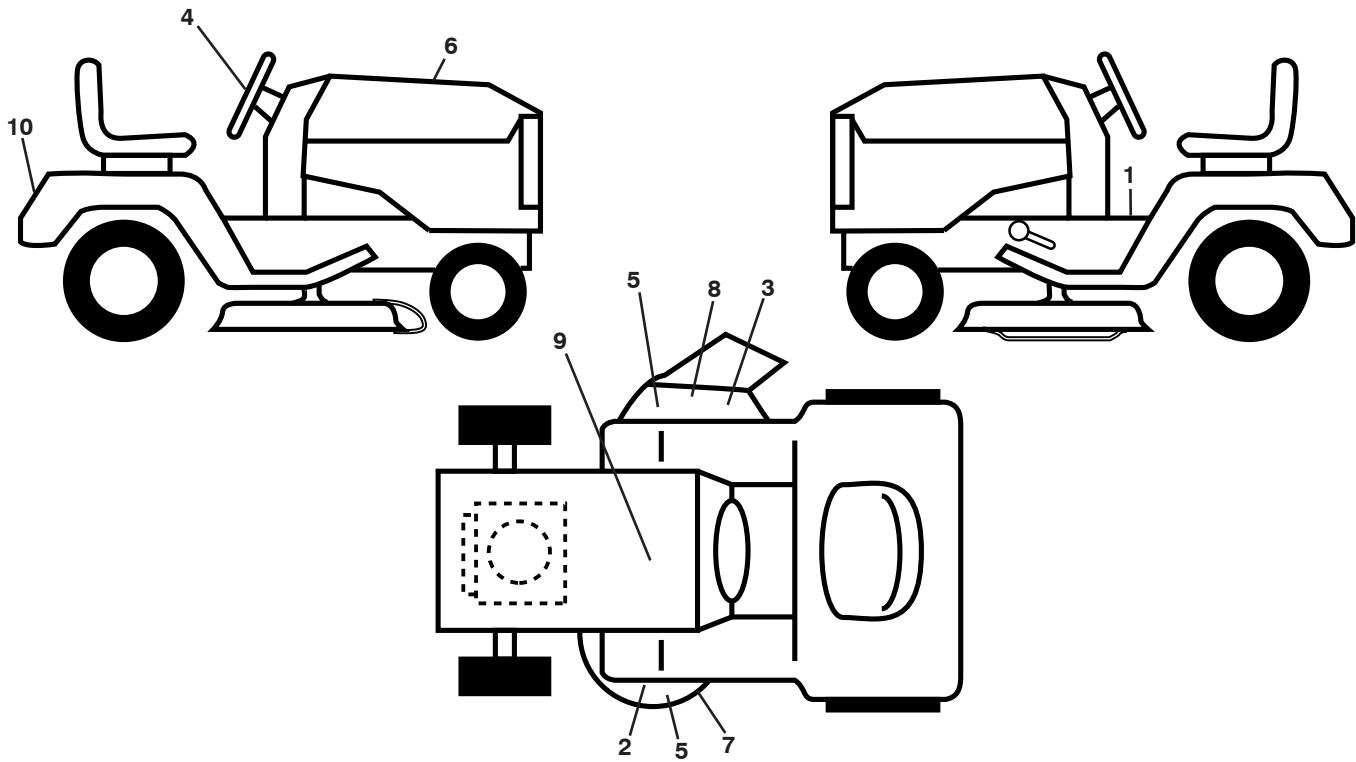
seat-tex_4-Bolt_1

KEY PART NO.	NO.	DESCRIPTION
1	587 00 11-02	Seat
2	532 18 01-66	Bracket Pivot Fender
3	532 14 06-75	Strap, Asm Fender
6	873 80 06-00	Nut, Lock w/Ins. 3/8-16 unc
7	532 12 41-81	Spring, Seat Cprsn
8	532 17 18-77	Bolt 5/16-18 unc x 3/4 w/Sems
10	587 49 26-02	Pan, Seat
21	532 17 18-52	Bolt, Shoulder 5/16-18

KEY PART NO.	NO.	DESCRIPTION
33	874 78 05-16	Bolt Fin. Hex 5/16-18 uncx
37	873 80 05-00	Nut, Lock 5/16-18 unc
45	819 11 11-16	Washer 11/32 x 11/16 x 16 Ga.

NOTE: All component dimensions given in U.S. inches.
1 inch = 25.4 mm

**TRACTOR - - MODEL NO. GT52F (96043020000), PRODUCT NO. 960 43 02-00
DECALS**



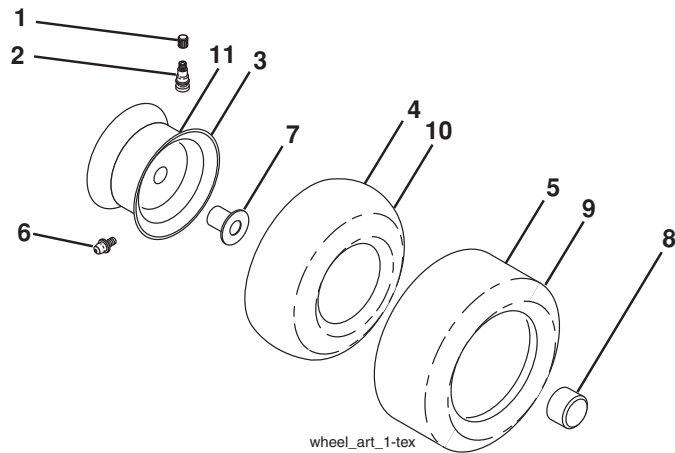
**KEY PART
NO. NO.**

KEY PART NO.	NO.	DESCRIPTION
1	581 57 89-01	Decal, Fender Warning
2	587 56 07-01	Decal, Decal Deck
3	581 72 44-01	Decal, Deck Warning
4	587 73 15-01	Decal, Steering Wheel
5	581 72 43-01	Decal, Deck No Step
6	587 83 63-01	Decal, Replacement
7	581 58 00-02	Decal, Mower Sch.
8	584 90 46-01	Decal, Deflect. Warning

**KEY PART
NO. NO.**

KEY PART NO.	NO.	DESCRIPTION
9	532 14 50-05	Decal, Battery Dnge/Poi
10	587 67 54-01	Decal, Fender Logo
--	581 72 48-01	Decal, Bypass
--	532 41 19-03	Pad, Footrest, LH
--	532 41 22-79	Pad, Footrest, RH
--	587 89 87-26	Manual, Operator's (Eng./Span.)
--	587 89 88-27	Manual, Part's (Eng./Span.)

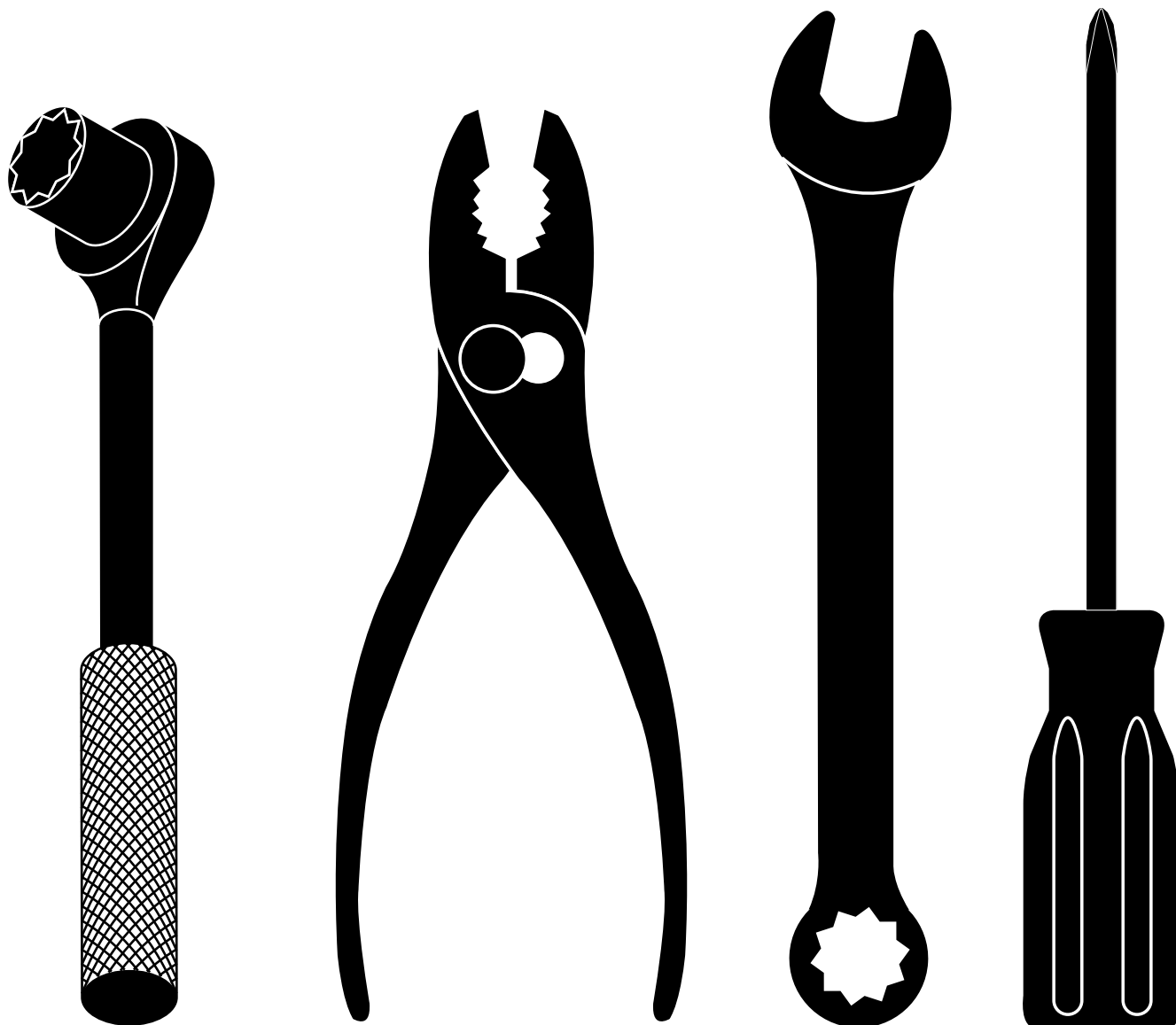
WHEELS AND TIRES



**KEY PART
NO. NO.**

KEY PART NO.	NO.	DESCRIPTION
1	532 05 91-92	Cap Valve Tire
2	532 06 51-39	Stem Valve
3	532 18 18-39	Rim Front
4	532 00 81-34	Tube Front (Service Item Only)
5	532 10 62-30	Tire Front 16 x 6.5-8
6	532 12 49-57	Fitting Grease (Front Wheel Only)
7	532 12 49-59	Bearing Flange (Front Wheel Only)
8	532 17 50-39	Cap Axle Blk 1 50 x 1 00
9	532 10 55-88	Tire Rear 23 x 10.5-12
10	532 00 71-54	Tube Rear (Service Item Only)
11	532 14 45-10	Rim Asm Rear
--	532 14 43-34	Sealant, Tire (10 oz. Tube)

NOTE: All component dimensions given in U.S. inches.
1 inch = 25.4 mm



MANUAL DE REPUESTOS
MODELO NO. GT52F (96043020000)
TRACTOR PARA JARDÍN

Jonsered®

COMO UTILIZAR ESTE MANUAL

Este manual está diseñado para brindarle al comprador un medio para identificar las piezas del tractor para cuando necesite hacer el pedido de un repuesto. Las ilustraciones pueden o no representar los ensambles reales; por lo tanto, no se recomienda utilizar este manual como una guía para ensamblar o desarmar el tractor. Algunos accesorios y piezas están dibujados en tamaños más grandes para identificarlos con mayor facilidad.

Cada tractor tiene su propio número de modelo.

El número de modelo del tractor se encuentra en el guardabarros debajo del asiento.

Cuando haga el pedido de una pieza, siempre brinde la siguiente información:

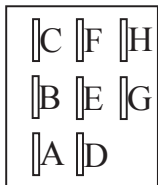
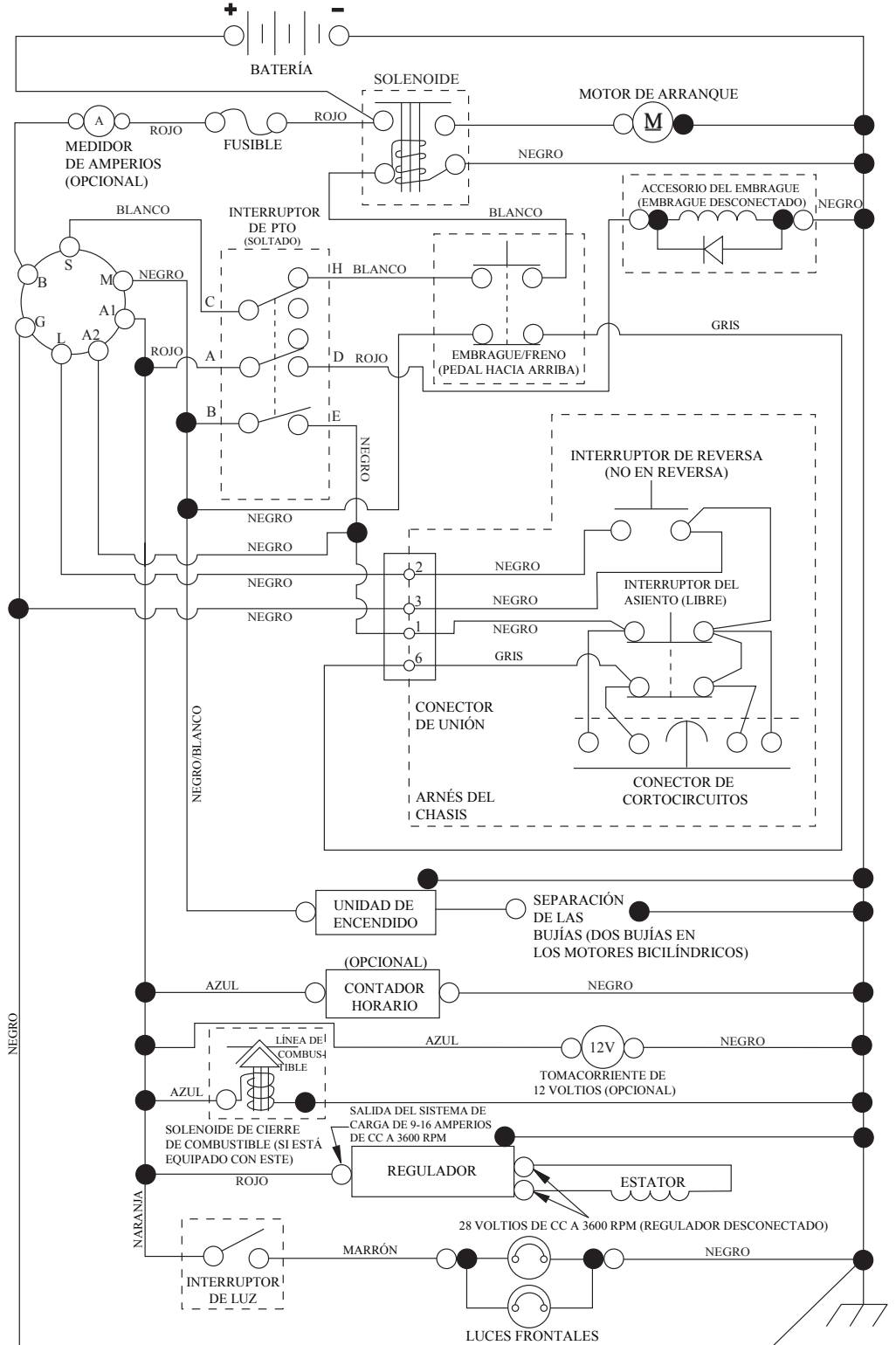
- Producto: "TRACTOR"
- NÚMERO DE MODELO: "GT52F" (96043020000)"
- Número de pieza
- Descripción de la pieza

ÍNDICE

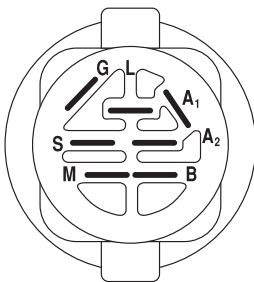
DIAGRAMA.....	3
DIAGRAMA ELÉCTRICO.....	4-5
CHASIS.....	6-7
TRANSMISIÓN.....	8-9
MOTOR.....	10-11
DIRECCIÓN.....	12-13
PLATAFORMA DE LA CORTADORA DE CÉSPED.....	14-15
ELEVACIÓN DE LA CORTADORA DE CÉSPED.....	16
ASIENTO.....	17
CALCOMANÍAS.....	18

TRACTOR - - MODELO NO. GT52F (9604302000), PRODUCTO NO. 960 43 02-00 DIAGRAMA

SCH12-s

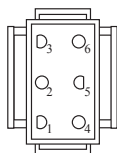


INTERRUPTOR DE PTO
(CARA DE ACOPLAMIENTO)

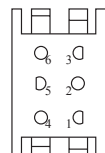


INTERRUPTOR DE ENCENDIDO

POSICIÓN	CIRCUITO «MARCA»
APAGADO	M+G+A1
PONER EN FUNCIONAMIENTO/ANULAR	B+A1
PONER EN FUNCIONAMIENTO	B+A1 L+A2
ARRANCAR	B + S + A1



CONEXIÓN DEL
ARNÉS DEL CHASIS
(LATERAL QUE COINCIDA)



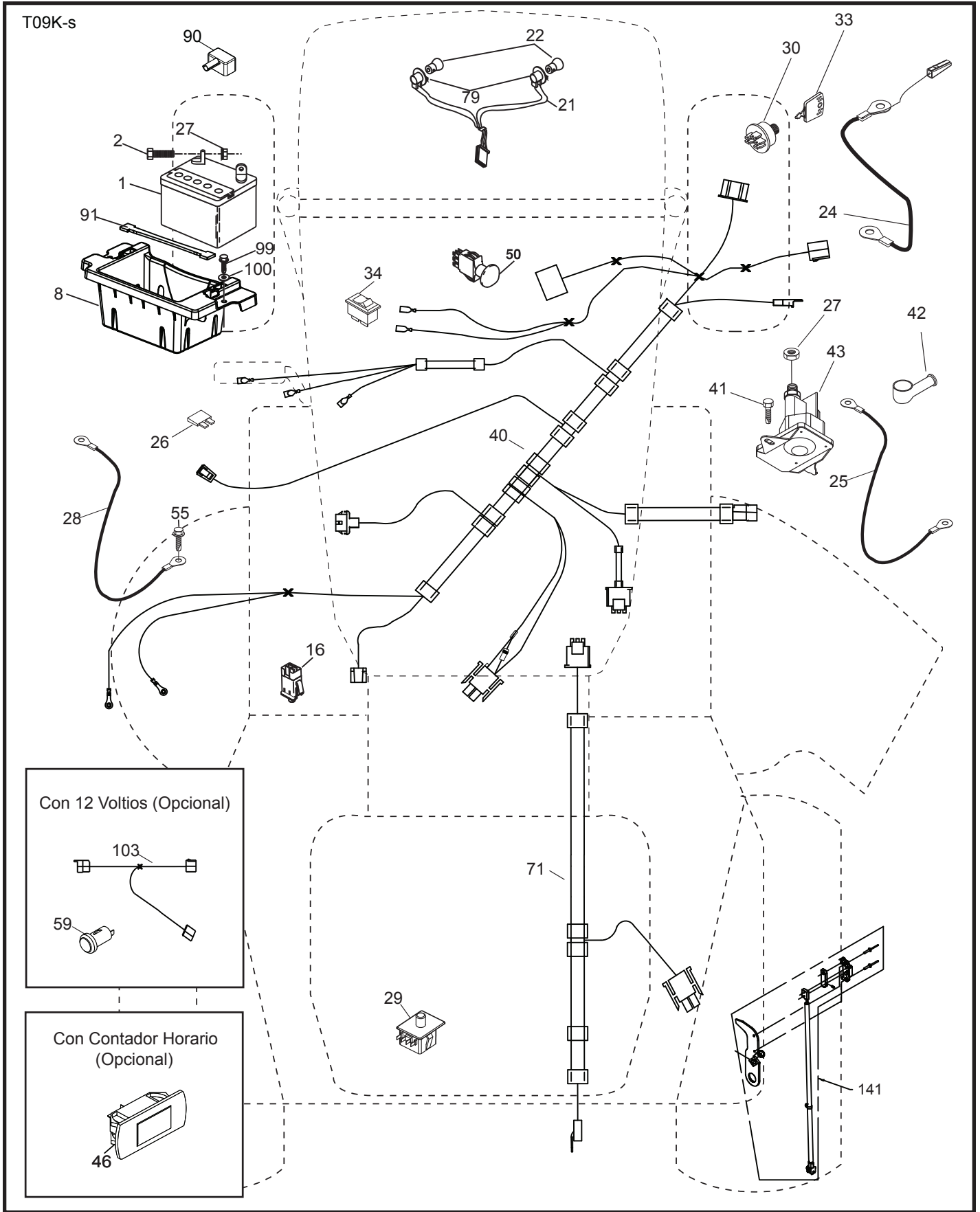
CONEXIÓN PARA EL
ARNÉS DEL TABLERO

NOTA SOBRE LAS ABRAZADERAS DE AISLAMIENTO DEL CABLEADO: SI SE QUITAN LAS ABRAZADERAS DE AISLAMIENTO DEL CABLEADO PARA HACER EL MANTENIMIENTO DE LA UNIDAD, SE LAS DEBERÁ INSTALAR NUEVAMENTE PARA PROTEGER EL CABLEADO ADECUADAMENTE.

● CONEXIONES NO DESMONTABLES

○ CONEXIONES DESMONTABLES

TRACTOR - - MODELO NO. GT52F (96043020000), PRODUCTO NO. 960 43 02-00
DIAGRAMA ELÉCTRICO



**TRACTOR - - MODELO NO. GT52F (96043020000), PRODUCTO NO. 960 43 02-00
DIAGRAMA ELÉCTRICO**

CÓDIGO No.	PIEZA No.	DESCRIPCIÓN
1	532 16 34-65	Batería
2	874 76 04-12	Perno de cabeza hexagonal de 1/4-20 unc x 3/4
8	532 18 64-91	Caja de la batería
16	532 17 61-38	Interruptor corta corriente a presión
21	532 40 02-52	Cableado del enchufe para la luz c/4152J
22	532 00 41-52	Bombilla de luz
24	585 55 56-01	Cableado
25	585 55 55-01	Cableado
26	532 17 51-58	Fusible
27	873 51 04-00	Tuerca hexagonal 1/4-20 unc
28	532 41 65-88	Cable a tierra
29	532 19 27-49	Interruptor del asiento
30	532 19 33-50	Interruptor de encendido
33	532 41 19-33	Llave/cadena
34	532 11 07-12	Interruptor de luz/de restauración
40	532 40 11-04	Cableado del tablero de encendido
41	817 72 04-08	Tornillo 1/4-20 x 1/2
42	532 13 15-63	Cubierta de la terminal
43	532 19 25-07	Solenoides
46	586 16 18-01	Servicio del Indicador
50	532 17 46-51	Interruptor
55	817 06 05-12	Tornillo 5/16-18 x 3/4
71	532 19 42-76	Cableado de encendido
79	532 17 52-42	Ensamble del enchufe para la luz
90	532 43 53-95	Tapa de los bornes de la batería
91	532 19 02-70	Conector del batería
99	817 67 04-12	Tornillo
100	819 09 14-16	Arandela 9/32 x 7/8 x calibre 16
141	532 42 12-25	Conjunto de "ROS"

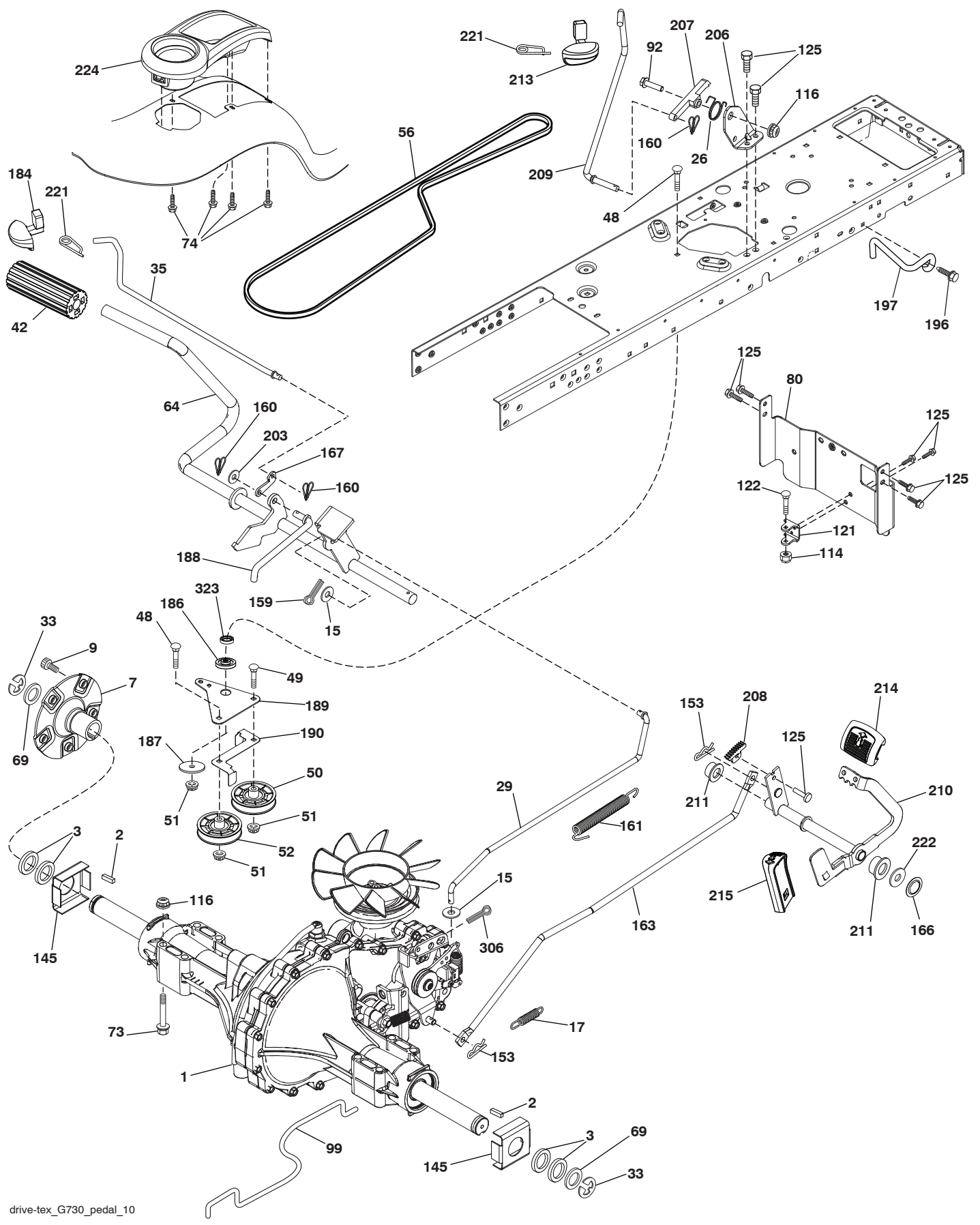
NOTA: Las dimensiones de todos los componentes están expresadas en pulgadas americanas. 1 pulgada = 25,4 mm

TRACTOR - - MODELO NO. GT52F (96043020000), PRODUCTO NO. 960 43 02-00 CHASIS

CÓDIGO No.	PIEZA No.	DESCRIPCIÓN	CÓDIGO No.	PIEZA No.	DESCRIPCIÓN
2	580 43 44-01	Barra de tracción	191	532 42 54-07	Inserto LD
5	532 42 47-38	Tablero	194	873 90 05-00	Tuerca de presión de 5/16-18
14	587 96 26-01	Capota	195	532 40 41-37	Tapón
15	587 89 86-01	Lente izquierdo de la parrilla	196	532 41 18-78	Ensamble de la consola de la plataforma de elevación
18	587 78 57-01	Parrilla			
25	587 89 84-01	Lente derecho de la parrilla	198	532 44 15-52	Indicador de la Elevación
36	817 06 05-12	Tornillo de 5/16-18 x 3/4	199	532 19 63-77	Placa de la Elevación
37	532 44 38-16	Guardabarros	202	587 78 52-01	Salida de Ventilación (LD)
58	532 19 43-14	Soporte	203	587 78 51-01	Salida de Ventilación (LI)
68	817 49 05-08	Tornillo de 5/16-18 x 1/2	204	587 96 32-01	Ensamble del Ventilación superior
125	581 68 48-01	Soporte	217	532 40 91-67	Varilla giratoria
130	532 41 63-58	Tornillo No. 10 x 0,75	222	532 13 77-29	Tornillo 1/4-20 x 5/8
146	581 85 79-01	Perno	228	532 19 51-61	Sujetador del travesaño
150	584 86 29-01	Cubierta térmica del conducto	235	532 40 61-29	Separador del guardabarros
151	532 44 54-94	Soporte	236	873 93 05-00	Tuerca de presión 5/16-18 unc
152	532 19 95-35	Protector contra oscurecimiento	237	532 40 37-04	Tapón
159	817 00 06-12	Tornillo 3/8-16 x 3/4	297	532 42 54-06	Inserto LI
161	532 41 18-79	Abastecida de combustible ventana	306	873 90 06-00	Tuerca
162	532 14 24-32	Tornillo	314	587 78 39-01	Borde de Capota (LI)
165	532 19 43-30	Soporte de tanque	315	587 78 38-01	Borde de Capota (LD)
175	532 19 63-04	Travesaño	316	532 42 16-99	Cierre
176	532 40 07-76	Tornillo de 10-24 x 5/8	317	587 96 35-01	Cubierta (LD)
177	532 19 52-27	Buje de dirección	318	587 96 33-01	Cubierta (LI)
180	532 44 55-59	Chasis			
181	532 43 97-46	Buje de soporte del guardabarros de carga			
182	532 40 68-59	Tablero inferior			
183	874 52 05-20	Perno 5/16-18 x 1-1/4			
189	817 00 05-12	Tornillo 5/16-18 x 3/4			

NOTA: Las dimensiones de todos los componentes están expresadas en pulgadas americanas. 1 pulgada = 25,4 mm

TRACTOR - - MODELO NO. GT52F (96043020000), PRODUCTO NO. 960 43 02-00
TRANSMISIÓN



drive-tex_G730_pedal_10

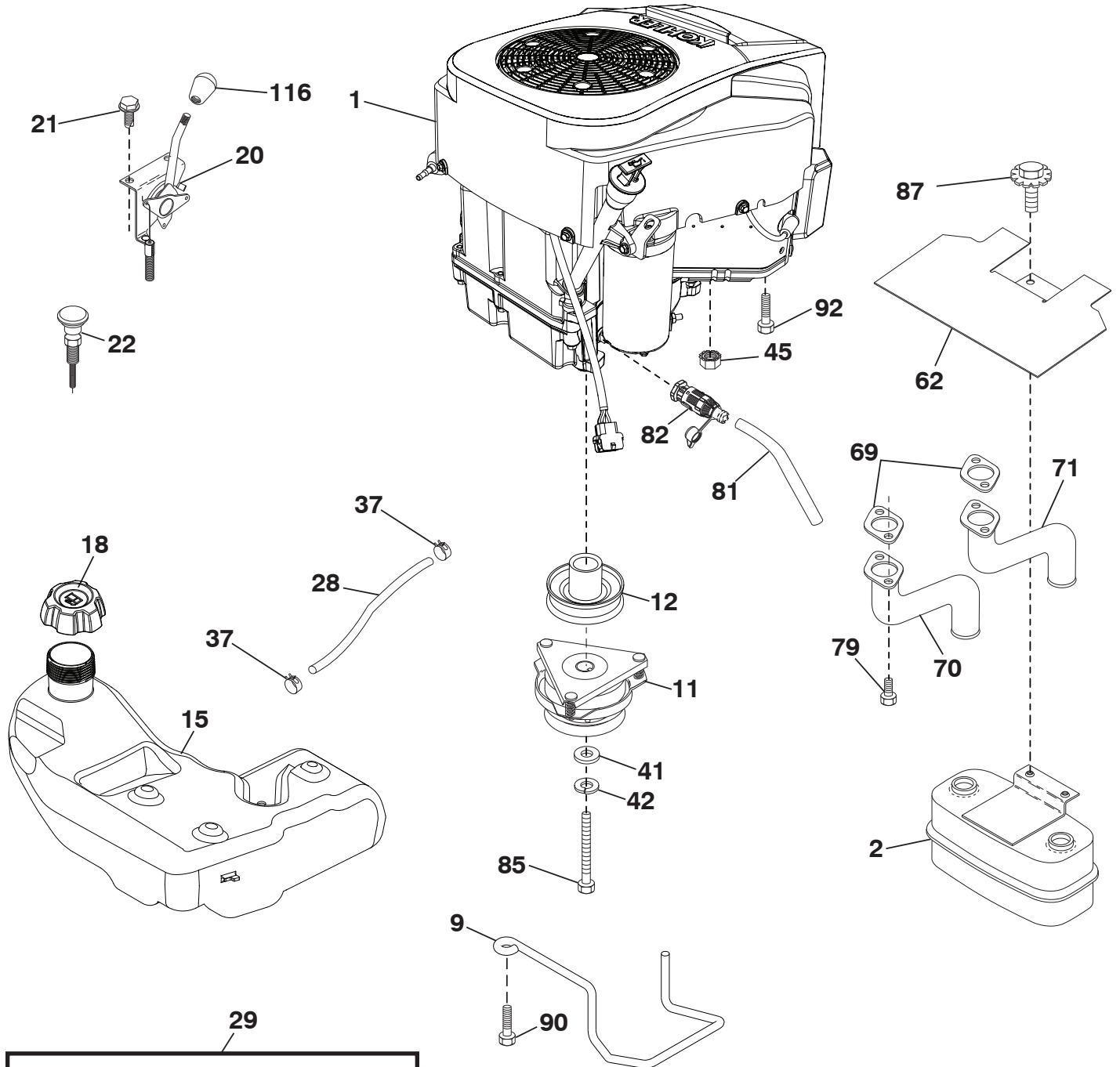
TRACTOR - - MODELO NO. GT52F (96043020000), PRODUCTO NO. 960 43 02-00

TRANSMISIÓN

CÓDIGO No.	PIEZA No.	DESCRIPCIÓN	CÓDIGO No.	PIEZA No.	DESCRIPCIÓN
1	---	Transeje, Hydro G7-BCBB-1XDC-1FCA (420331) (Haga el pedido de las piezas al fabricante del transeje.)	163	532 41 81-85	Control del pedal de la barra
2	532 00 70-70	Llave	166	532 42 91-64	Tuerca
3	532 00 75-63	Tuerca	167	532 40 52-57	Pestillo del freno de mano
7	532 19 98-37	Ensamble del cubo trasero	184	587 65 37-01	Manija del freno de mano
9	532 14 00-80	Perno	186	532 19 43-21	Espaciador de retención
15	819 13 13-16	Arandela 13/32 x 13/16 x calibre 16	187	819 13 32-10	Arandela
17	532 19 72-96	Resorte de freno	188	532 19 43-23	Mecanismo de desplazamiento de la varilla de mando del embrague
26	532 19 96-79	Resorte de travesía	189	532 40 75-04	Palanca acodada del mecanismo de desplazamiento
29	532 41 81-86	Varilla del freno	190	532 40 75-05	Sujetador de la palanca acodada del mecanismo de desplazamiento
33	812 00 00-53	Aro "E"	196	817 00 06-16	Tornillo 3/8-16 x 1
35	583 86 45-01	Varilla del freno de mano	197	532 19 97-69	Mecanismo de desplazamiento
42	532 12 48-72	Cubierta del pedal	203	819 11 11-16	Tuerca 11/32 x 11/16 x calibre 16
48	872 11 06-12	Tornillo 3/8-16 x 1-1/2 Gr.5	206	532 44 85-96	Soporte de la travesía
49	872 11 06-14	Perno	207	532 19 78-68	Cierre del control de travesía
50	532 19 43-27	Polea loca plana	208	532 19 78-69	Travesía del control del sector
51	873 90 06-00	Tuerca de presión de 3/8-16	209	532 19 95-92	Travesía del control de Rod
52	532 19 43-26	Polea loca con ranura en V con un desplazamiento	210	532 19 78-60	Ensamble del eje de balancín. Control del pedal
56	532 42 08-07	Correa trapezoidal de la transmisión	211	532 12 01-83	Buje
64	532 19 78-65	Ensamble del eje Control del pedal de freno	213	532 40 31-19	Travesía del control de la perilla
69	532 12 38-00	Tuerca 1-1/32 x 1-5/8 x calibre 16	214	532 41 12-63	Pedal adelante
73	874 49 05-48	Perno 5/16-18 3.75	215	532 40 17-23	Revés del pedal
74	532 14 24-32	Tornillo 1/4 x 1/2	221	532 40 31-87	Abrazadera de retención del resorte de la manija
80	532 41 81-84	Correa de torsión	222	879 21 20-10	Tuerca 21/32 x 1-1/4 x calibre 10
92	874 76 05-20	Tornillo 5/16-18 x 1/2	224	532 41 22-98	Consola
99	532 41 81-88	Varilla de desviación	306	876 02 04-16	Pasador de chaveta de 1/8 x 1
114	873 80 05-00	Tuerca 5/16-18 unc	323	585 71 41-01	Manga
116	873 90 05-00	Tuerca 5/16-18			
121	532 17 56-11	Soporte de la correa de torsión			
122	872 01 05-20	Tornillo 5/16-18 x 2.50			
125	817 00 05-12	Tornillo 5/16-18 x 3/4			
145	532 16 31-68	Tuerca			
153	532 12 47-88	Retén del resorte			
159	876 02 04-12	Pasador de chaveta de 1/8 x 3/4			
160	532 16 94-84	Abrazadera de retención			
161	532 10 57-09	Resorte de retorno del embrague			

NOTA: Las dimensiones de todos los componentes están expresadas en pulgadas americanas. 1 pulgada = 25,4 mm

TRACTOR - - MODELO NO. GT52F (96043020000), PRODUCTO NO. 960 43 02-00
MOTOR



engine-tex_Kohl-2cyl_22

**TRACTOR - - MODELO NO. GT52F (96043020000), PRODUCTO NO. 960 43 02-00
MOTOR**

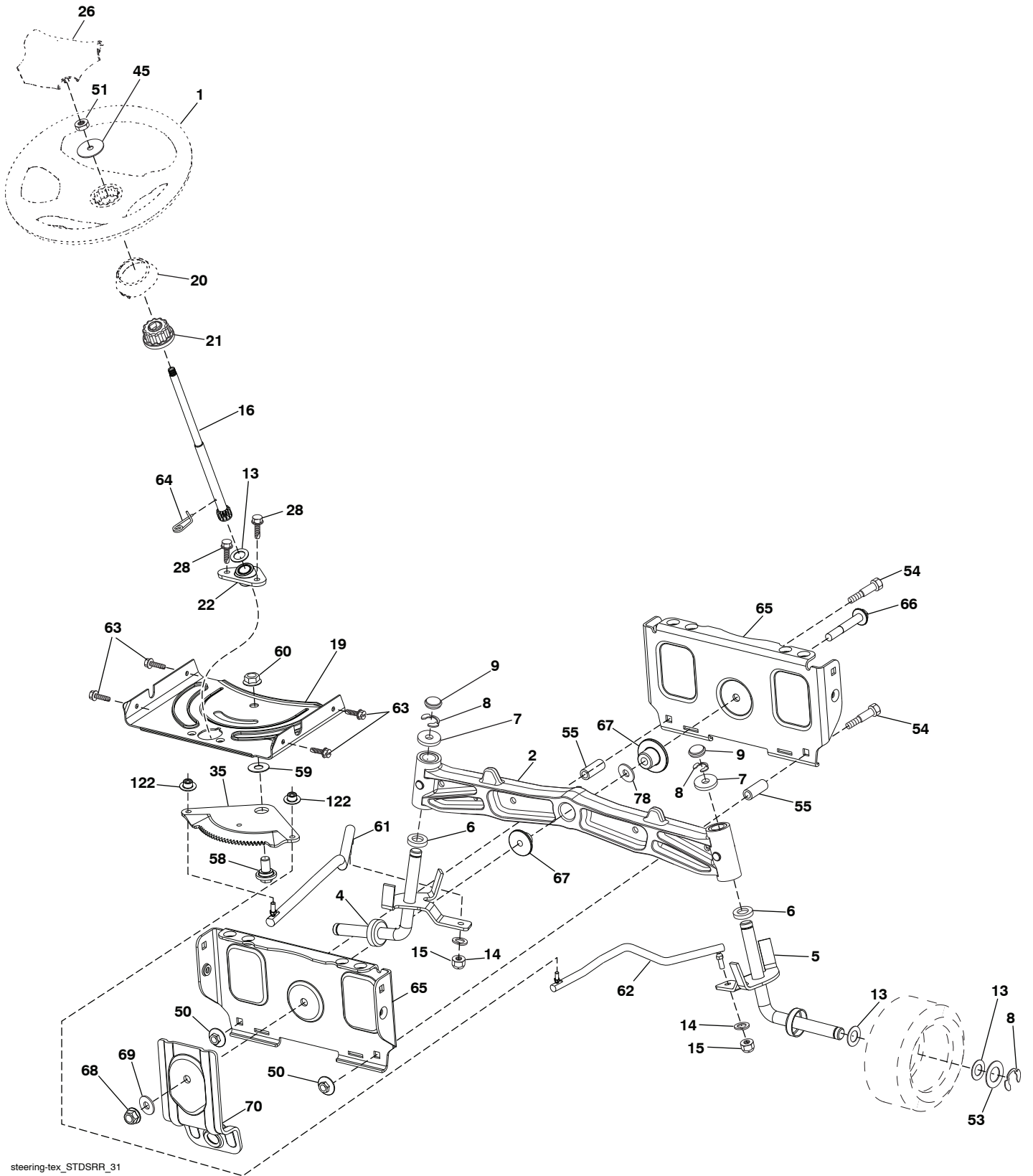
CÓDIGO No.	PIEZA No.	DESCRIPCIÓN
1	- - - - -	Motor Kohler Modelo No. KT745-3050 (587835901) (Haga el pedido de las piezas al fabricante del motor.)
2	532 14 97-23	Silenciador
9	532 40 86-67	Ensamble del sujetador de la correa del motor
11	532 17 93-35	Embrague
12	532 19 43-43	Polea del motor
15	532 43 80-81	Tanque de combustible
18	581 17 61-01	Ensamble de la tapa
20	532 42 61-84	Control del regulador
21	532 41 63-58	Tornillo No. 10 x 0,75
22	532 19 15-96	Control del obturador
28	532 40 11-35	Línea de combustible
29	532 13 71-80	Equipo apagachispas
37	532 12 34-87	Abrazadera de la manguera
41	532 12 61-97	Arandela 1-1/2 x 15/32 x .250
42	810 04 07-00	Arandela de presión de 7/16
45	873 51 04-00	Tuerca
62	532 43 40-17	Protector
69	532 18 60-54	Junta
70	583 95 45-01	Silenciador /Tubo LI
71	583 95 48-01	Silenciador /Tubo LD
79	532 19 23-34	Tornillo 5/16-18 x .75
81	532 14 84-56	Tubo de fácil drenaje de aceite
82	532 42 82-87	Conector del drenaje de aceite
85	532 17 99-53	Perno de 7/16-20 x 3.75 Gr. 5
87	537 17 18-77	Perno de 5/16-18
90	817 00 06-16	Tornillo 3/8-16 x 1
92	817 12 06-16	Tornillo 3/8-16 x 1
116	539 13 26-24	Botón

NOTA: Las dimensiones de todos los componentes están expresadas en pulgadas americanas. 1 pulgada = 25,4 mm

Para realizar el mantenimiento del motor y para obtener repuestos, llame al número gratuito del fabricante de su motor que se enumera a continuación:

Kohler Co. 1-800-544-2444

TRACTOR - - MODELO NO. GT52F (96043020000), PRODUCTO NO. 960 43 02-00
ENSAMBLE DE LA DIRECCIÓN



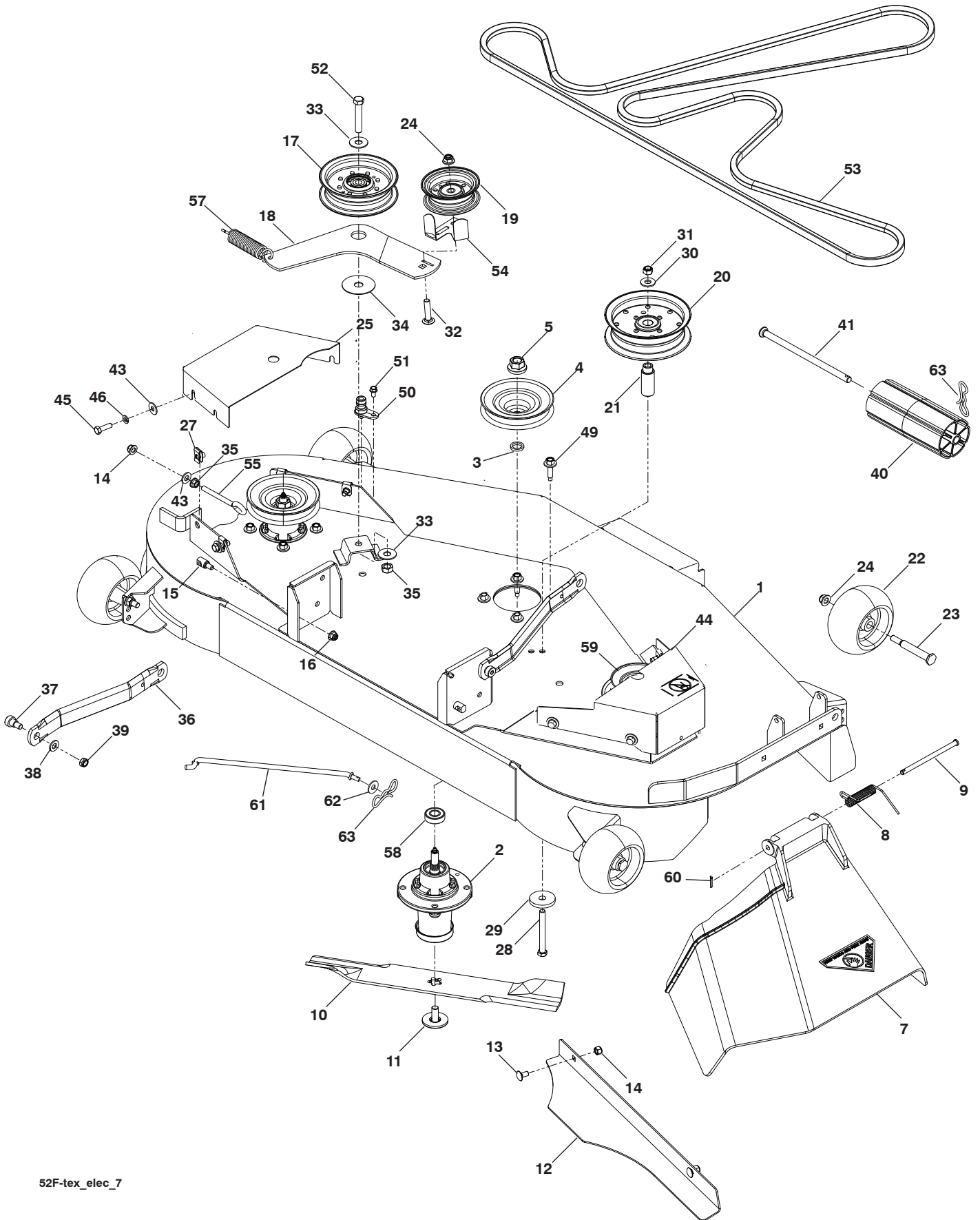
steering-tex_STDSRR_31

**TRACTOR - - MODELO NO. GT52F (96043020000), PRODUCTO NO. 960 43 02-00
ENSAMBLE DE LA DIRECCIÓN**

CÓDIGO No.	PIEZA No.	DESCRIPCIÓN
1	532 42 41-46	Volante de dirección
2	532 19 59-68	Eje
4	532 40 30-89	Ensamble del husillo izquierdo
5	532 40 30-90	Ensamble del husillo derecho
6	532 12 49-31	Arandela
7	532 12 17-48	Arandela de 25/32 x 1-5/8 calibre 16
8	812 00 00-29	Abrazadera del aro No. T5304-75
9	532 12 12-32	Tapa del husillo
13	532 12 17-49	Arandela de 25/32 x 1-1/4 calibre 16
14	810 04 06-00	Arandela de presión de 3/8
15	873 54 06-00	Tuerca corona de presión de 3/8-24 unf
16	532 40 82-19	Eje de dirección
19	532 19 47-29	Placa de dirección
20	532 42 47-40	Cubierta de la dirección
21	532 18 67-37	Adaptador del volante de dirección
22	532 42 05-37	Dirección soporte
26	532 42 41-47	Inserto del volante de dirección
28	817 00 06-12	Tornillo de 3/8-16 x 3/4
35	532 19 47-32	Engranaje del sector de la placa
45	819 18 38-12	Arandela de 9/16 ID x 2-3/8 x calibre 12
50	873 90 06-00	Tuerca 3/8-16 unc
51	873 94 08-00	Tuerca de presión de 1/2-20 unf
53	532 18 89-67	Arandela reforzada de 793 x 1637 x 0,060
54	874 76 06-36	Perno 3/8-16 x 2-1/4
55	532 41 47-36	Separador
58	532 19 47-47	Perno de tope del sector del pivote CFM
59	532 19 47-48	Arandela de empuje del sector de dirección
60	873 97 10-00	Tuerca de presión con brida de 5/8-11
61	532 19 47-40	Barra de acoplamiento izquierda
62	532 19 47-41	Barra de acoplamiento derecha
63	817 00 05-12	Tornillo de 5/16-18 x 3/4
64	532 19 98-49	Abrazadera de retención del resorte de la dirección
65	532 19 47-34	Soporte delantero del eje
66	871 02 07-48	Perno
67	532 19 47-37	Buje PM del eje delantero
68	873 90 07-00	Tuerca de presión con brida de 7/16-14 grado 5
69	532 19 91-62	Arandela de 1,5 x 0,505 x 0,118
70	585 33 88-01	Soporte de la plataforma delantera
78	532 05 70-79	Arandela
122	532 44 49-62	Tapa

NOTA: Las dimensiones de todos los componentes están expresadas en pulgadas americanas. 1 pulgada = 25,4 mm

TRACTOR - - MODELO NO. GT52F (96043020000), PRODUCTO NO. 960 43 02-00
PLATAFORMA DE LA CORTADORA DE CÉSPED



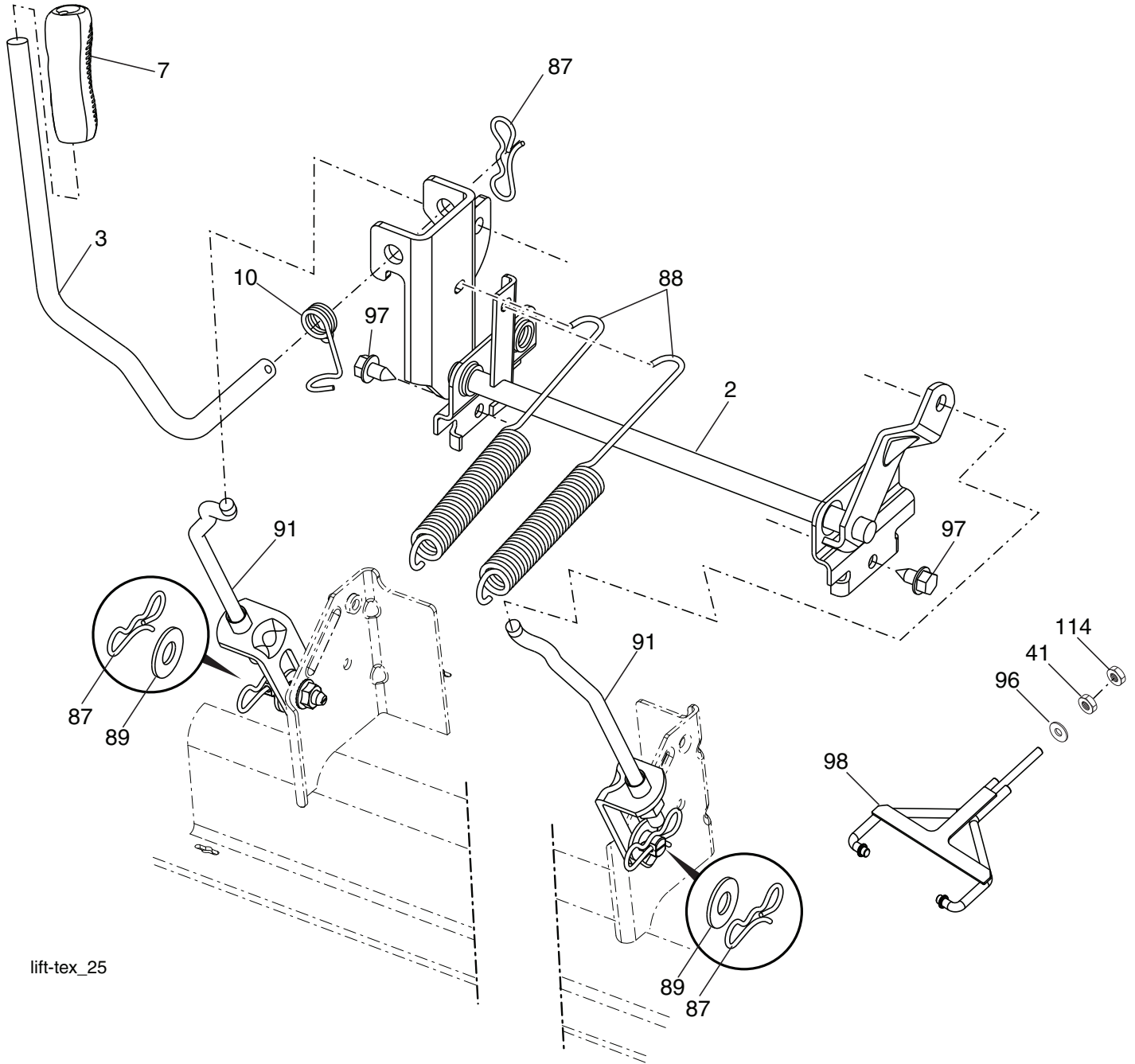
52F-tex_elec_7

**TRACTOR - - MODELO NO. GT52F (96043020000), PRODUCTO NO. 960 43 02-00
PLATAFORMA DE LA CORTADORA DE CÉSPED**

CÓDIGO No.	PIEZA No.	DESCRIPCIÓN	CÓDIGO No.	PIEZA No.	DESCRIPCIÓN
1	587 80 44-01	Cubierta con la calcomanías	37	539 11 36-21	Sb 3/8-16 x 3/8 Skt Hd
2	539 11 21-70	Ensamble de la cubierta	38	819 13 13-16	Arandela 13/32 x 13/16 x 16
3	539 18 76-90	Arandela	39	539 20 02-82	Tuerca 3/8-16
4	532 17 43-75	Polea	40	532 17 60-66	Rodillo de la nariz
5	532 40 02-34	Tuerca 9/16	41	532 17 91-27	Rod, rodillo de la nariz
7	539 11 07-33	Canal inclinado de la descarga	43	819 12 14-14	Arandela 3/8 x 7/8 x 14 calibre
8	539 11 07-35	Resorte - torsión	44	575 96 73-02	Protector de la correa LD
9	539 11 07-36	Clavija de horquilla 5/16 x 5.19	45	874 78 05-16	Perno 5/16-18 unc x 1
10	574 87 08-01	Lámina, 16-1/4"	46	810 03 05-00	Arandela 5/16
11	532 19 30-03	Perno, 7/16	49	584 95 39-01	Perno 313-18 x 1.19
12	574 87 50-02	Placa del confinamiento	50	532 41 55-98	Puerto del derrubio
13	872 11 05-05	Perno 5/16-18 x 5/8 grado 5	51	817 49 04-08	Perno 1/4-20 x 1/2
14	873 80 05-00	Tuerca 5/16-18	52	874 78 07-40	Perno 7/16-14 x 2-1/2
15	532 19 51-61	Sujetador del perno prisionero	53	574 84 56-03	Correa, cubierta
16	539 11 28-99	Tuerca 5/16-18	54	532 14 10-43	Protector, correa
17	532 19 61-04	Polea más ociosa	55	539 11 55-74	Perno de argolla 5/16 x 3-1/2
18	574 84 18-02	Brazo más ocioso	58	532 11 04-85	Rodamiento de bolitas
19	532 17 79-68	Polea más ociosa	59	575 35 29-01	Polea
20	539 13 27-28	Polea más ociosa	60	532 16 94-84	Detenedor del clip
21	575 22 45-01	Buje más ocioso	61	532 40 03-37	Varilla
22	532 13 39-57	Rueda, calibrador	62	819 13 13-12	Arandela 13/32 x 13/16 x calibre 12.
23	532 19 34-06	Perno	63	532 19 42-08	Pasador de chaveta de 5/16 con bloqueo en forma de mariposa
24	521 99 65-01	Tuerca 3/8-16	--	532 41 64-05	Accesorio del conexión
25	575 22 47-02	Protector, correa LI	--	587 90 47-01	Cubierta del cortacéspedes completa
27	539 10 47-63	Detenedor 5/16			
28	539 10 82-71	Hcs 3/8-16 x 3-1/2 grado 5			
29	539 10 65-04	Arandela			
30	819 14 16-14	Arandela 3/8			
31	539 97 69-79	Tuerca 3/8-16			
32	539 99 09-23	Rhsnb 3/8-16 x 1-3/4 grado 5			
33	539 10 48-64	Arandela 7/16 Flat			
34	532 17 85-15	Arandela			
35	873 90 07-00	Tuerca 7/16-14			
36	532 19 51-85	Suspensión posterior del brazo			

NOTA: Las dimensiones de todos los componentes están expresadas en pulgadas americanas. 1 pulgada = 25,4 mm

TRACTOR - - MODELO NO. GT52F (96043020000), PRODUCTO NO. 960 43 02-00
ELEVACIÓN DE LA CORTADORA DE CÉSPED



lift-tex_25

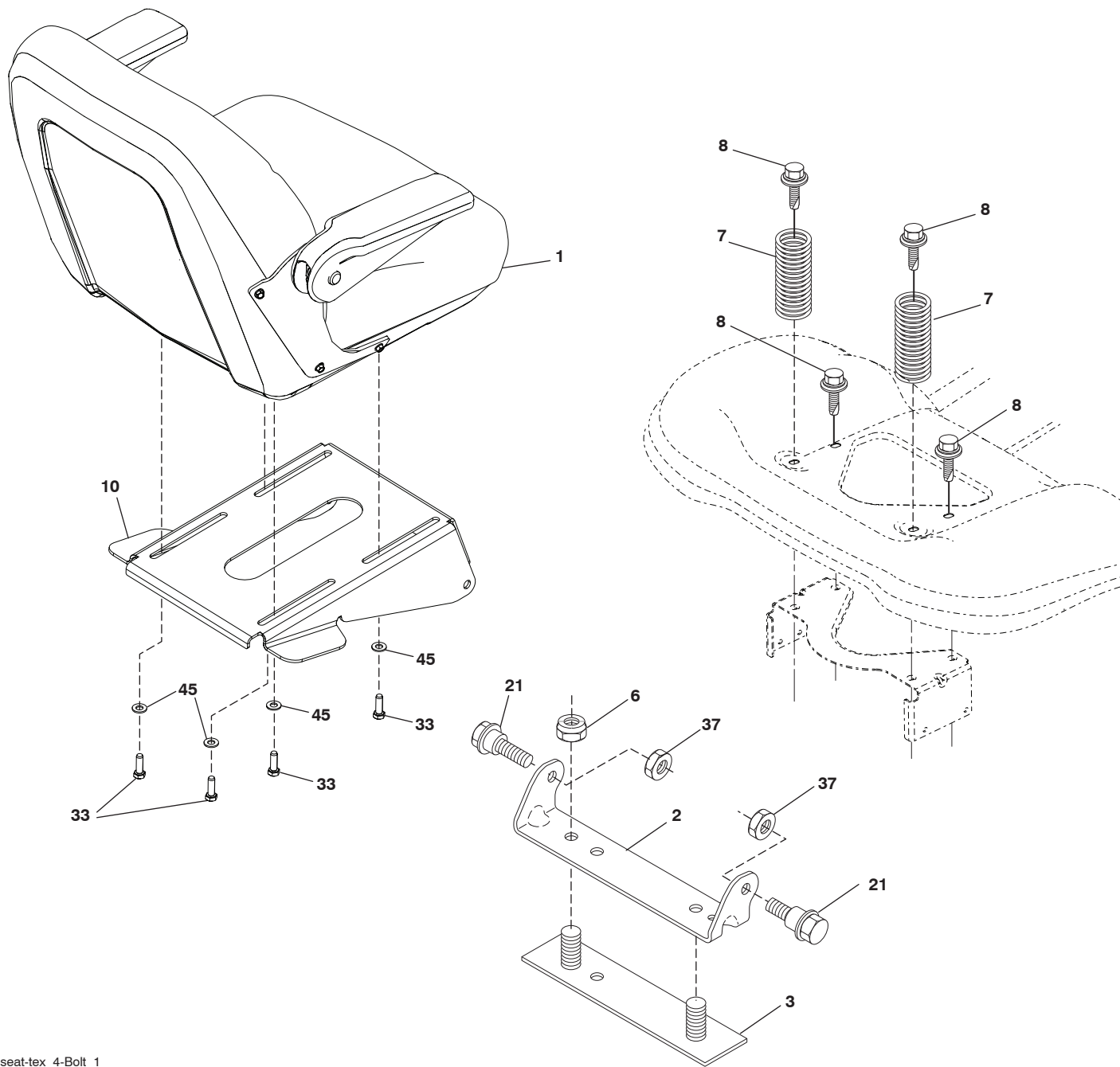
CÓDIGO No.	PIEZA No.	DESCRIPCIÓN
2	532 42 20-27	Ensamble del eje de la elevación
3	532 19 52-30	Ensamble de la palanca de elevación derecha
7	580 96 23-01	Mango de la palanca
10	532 19 63-14	Resorte de torsión
41	532 17 59-94	Tuerca 7/16 x 20
87	532 19 42-09	Pasador de chaveta de 7/16
88	532 19 53-04	Resorte de ayuda de la elevación
89	819 19 19-12	Arandela de zinc transparente

CÓDIGO No.	PIEZA No.	DESCRIPCIÓN
91	532 40 34-07	Ensamble del acoplamiento
96	532 19 52-63	Buje
97	817 00 06-12	Tornillo de 3/8-16 x 0,75
98	574 82 25-01	Acoplamiento frontal de la elevación de la cortadora de césped
114	873 36 07-00	Tuerca 7/16-20 UNF

NOTA: Las dimensiones de todos los componentes están expresadas en pulgadas americanas. 1 pulgada = 25,4 mm

TRACTOR - - MODELO NO. GT52F (9604302000), PRODUCTO NO. 960 43 02-00

ENSAMBLE DEL ASIENTO



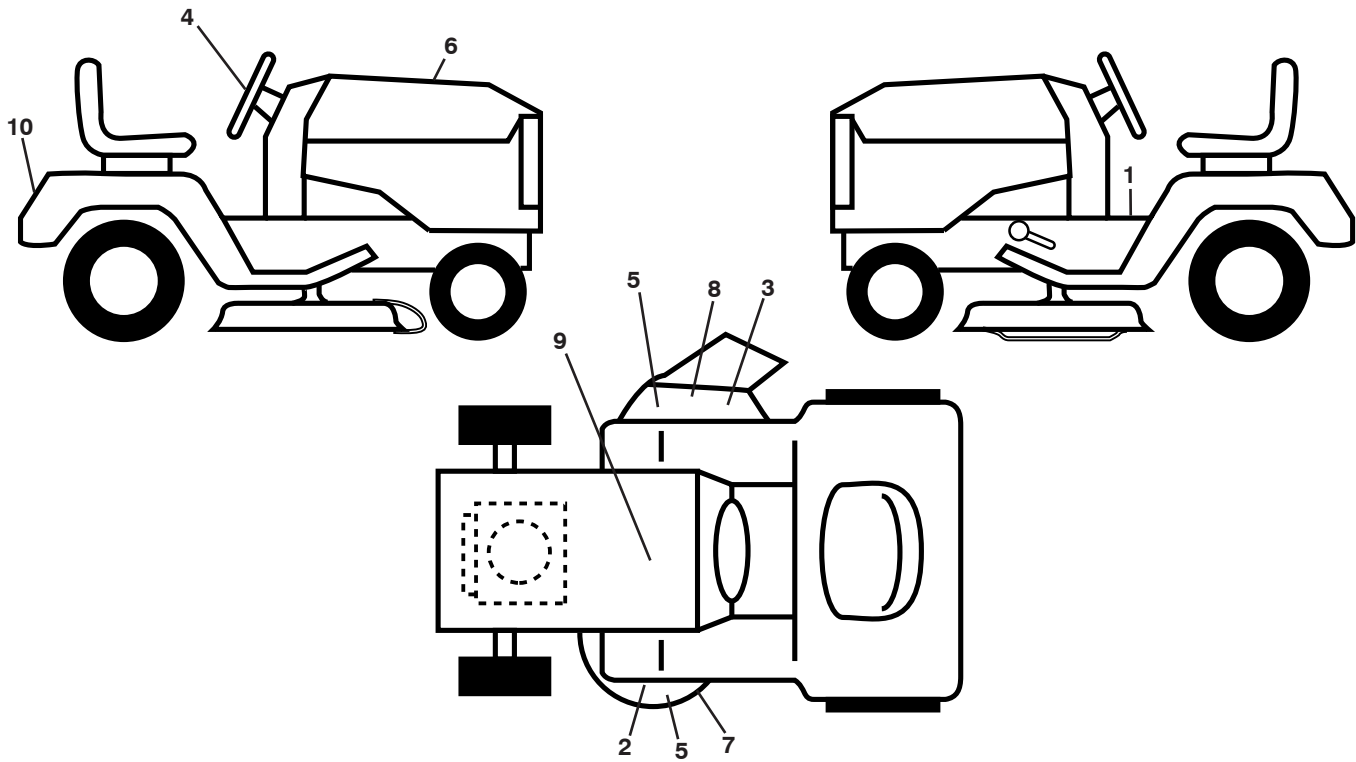
seat-tex_4-Bolt_1

CÓDIGO No.	PIEZA No.	DESCRIPCIÓN
1	587 00 11-02	Asiento
2	532 18 01-66	Soporte pivotante del guardabarros
3	532 14 06-75	Conector del ensamble del guardabarros
6	873 80 06-00	Tuerca de presión c/aislamiento de 3/8-16 unc
7	532 12 41-81	Resorte del asiento
8	532 17 18-77	Perno de 5/16" unc x 3/4"
10	587 49 26-02	Bandeja del asiento

CÓDIGO No.	PIEZA No.	DESCRIPCIÓN
21	532 17 18-52	Perno de tope de 5/16-18
33	874 78 05-16	Perno 5/16-18 uncx
37	873 80 05-00	Tuerca de presión de 5/16-18 unc
45	819 11 11-16	Arandela 11/32 x 11/16 x Calibre 16

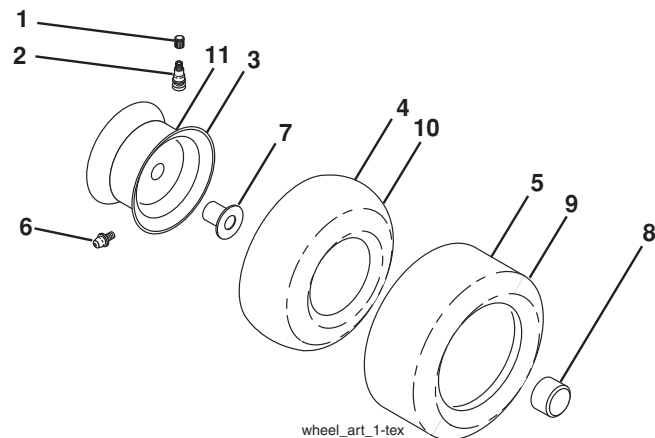
NOTA: Las dimensiones de todos los componentes están expresadas en pulgadas americanas. 1 pulgada = 25,4 mm

**TRACTOR - - MODELO NO. GT52F (96043020000), PRODUCTO NO. 960 43 02-00
CALCOMANÍAS**



CÓDIGO No.	PIEZA No.	DESCRIPCIÓN	CÓDIGO No.	PIEZA No.	DESCRIPCIÓN
1	581 57 89-01	Calcomanía para el guardabarros	9	532 14 50-05	Calcomanía de Peligro/Punto de interconexión
2	587 56 07-01	Calcomanía, Calcomanía de la cortadora de césped	10	587 67 54-01	Calcomanía del logo para el guardabarros
3	581 72 44-01	Calcomanía, advertencia de la cortadora de césped	--	581 72 48-01	Calcomanía para la desviación
4	587 73 15-01	Calcomanía para el volante de dirección	--	532 41 19-03	Forro del apoyo para los pies (LI)
5	581 72 43-01	Calcomanía de cortadora	--	532 41 22-79	Forro del apoyo para los pies (LD)
6	587 83 63-01	Calcomanía de reemplazo	--	587 89 87-26	Manual de Operario (ESPAÑOL/INGLÉS)
7	581 58 00-02	Calcomanía del diagrama de la cortadora de césped	--	587 89 88-27	Manual De Repuestos (ESPAÑOL/INGLÉS)
8	584 90 46-01	Calcomanía, advertencia			

RUEDAS Y NEUMÁTICOS



CÓDIGO No.	PIEZA No.	DESCRIPCIÓN
1	532 05 91-92	Tapa de la válvula del neumático
2	532 06 51-39	Vástago de la válvula
3	532 18 18-39	Ensamble de las llantas delanteras
4	532 00 81-34	Cámara delantera (Mantenimiento sólo)
5	532 10 62-30	Neumático delantero 16 x 6.5-8
6	532 12 49-57	Accesorio para engrasar (solo para la rueda delantera)
7	532 12 49-59	Rodamiento de la brida (solo para la rueda delantera)
8	532 17 50-39	Tapa del eje 1 50 x 1 00
9	532 10 55-88	Neumático trasera 23 x 10.5-12
10	532 00 71-54	Cámara trasera (Mantenimiento sólo)
11	532 14 45-10	Ensamble trasero de la llanta 8"
--	532 14 43-34	Sellador para neumáticos (tubo de 10 onzas [283 gr])

NOTA: Las dimensiones de todos los componentes están expresadas en pulgadas americanas. 1 pulgada = 25,4 mm