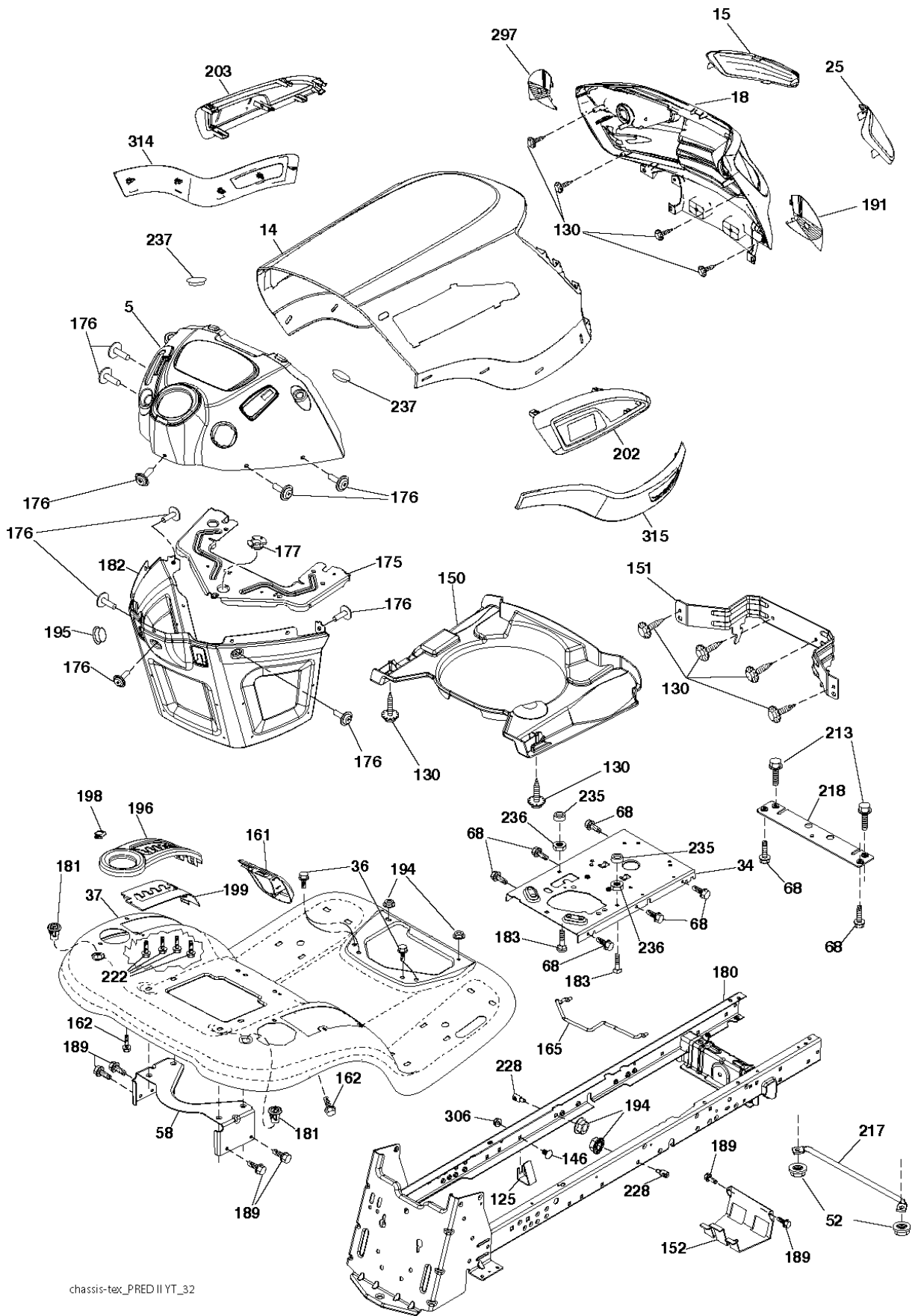




SPARE PARTS LIST

TRACTORS/RIDE MOWERS

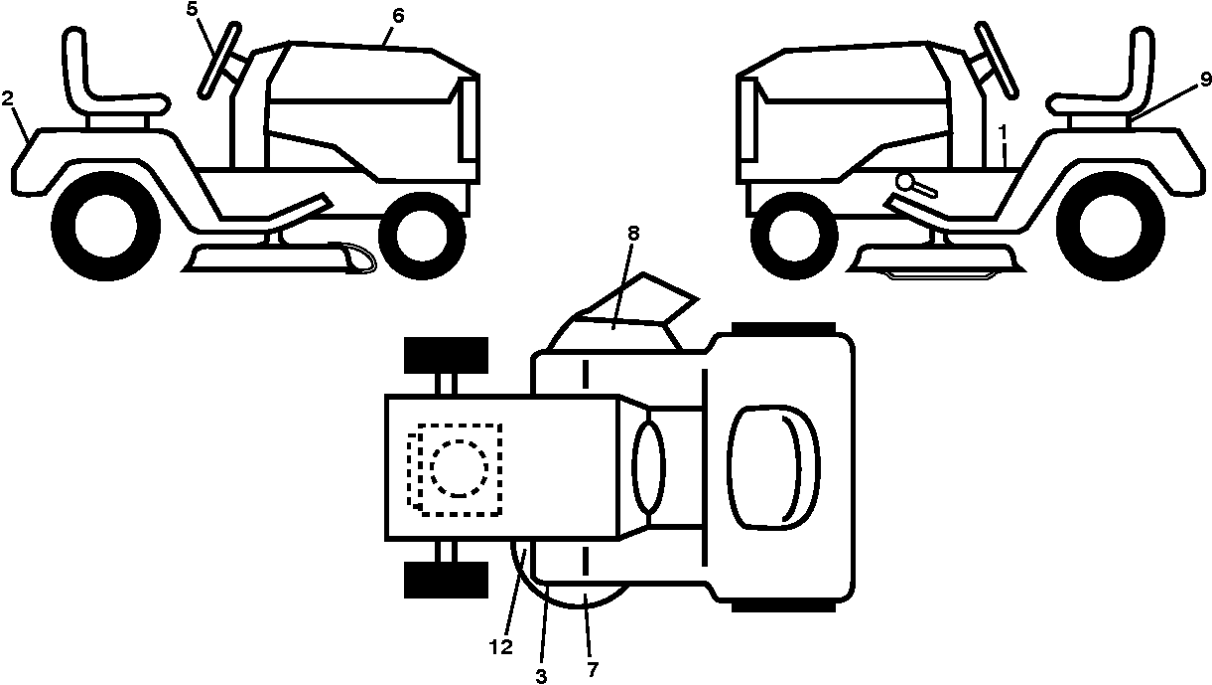
LGT54 , 96043019900, 2014-10



CHASSIS / FRAME

LGT54 , 96043019900, 2014-10

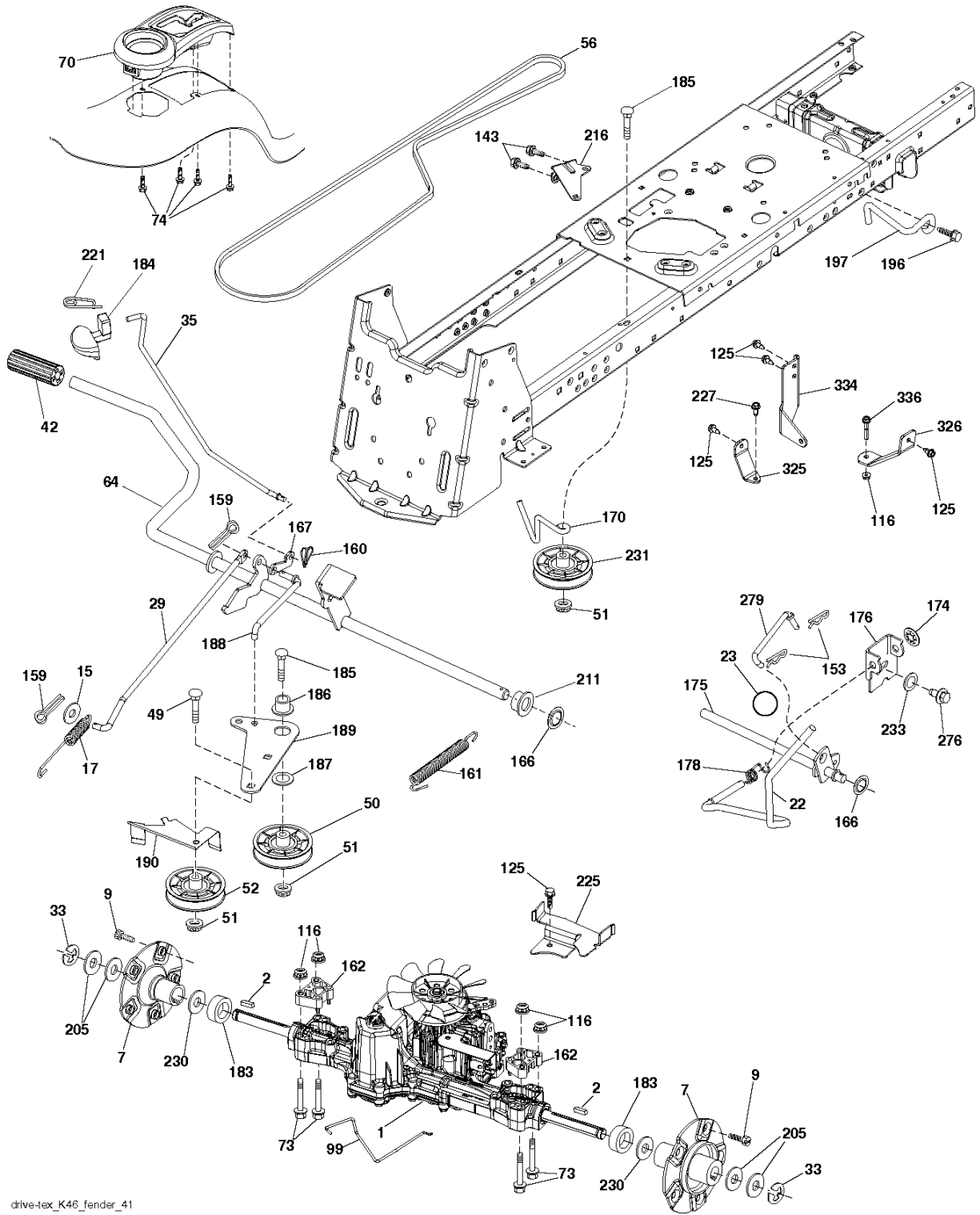
Ref	Part No	Description	Remark	QTY KIT
5	532 42 47-38	DASH		1
14	587 89 98-01	HOOD		1
15	587 89 86-01	LENS	LH	1
18	587 78 54-01	GRILLE		1
25	587 89 84-01	LENS	RH	1
34	580 91 08-01	CHASSIS		1
36	817 06 05-12	SCREW		1
37	532 44 38-16	FENDER		1
52	873 68 05-00	NUT		1
58	532 19 43-14	BRACKET		1
68	817 49 05-08	SCREW		1
125	581 68 48-01	CLIP		1
130	532 41 63-58	SCREW		1
146	581 85 79-01	BOLT		1
150	584 86 29-01	DUCT		1
151	532 44 54-94	BRACKET		1
152	532 19 95-35	SHIELD		1
161	532 41 18-79	WINDOW		1
162	532 14 24-32	SCREW		1
165	532 19 68-26	BRACKET		1
175	532 19 63-04	SUPPORT		1
176	532 40 07-76	SCREW		1
177	532 19 52-28	BUSHING		1
180	532 19 54-77	FRAME		1
181	532 40 47-96	BUSHING		1
182	586 73 86-02	DASH		1
183	874 52 05-20	BOLT		1
189	817 00 05-12	SCREW		1
191	532 42 54-07	INSERT		1
194	873 90 05-00	NUT		1
195	532 40 41-37	TROU*RPL.PAR 532401556428		1
196	532 41 18-78	CONSOLE		1
198	532 44 15-52	INDICATOR		1
199	532 19 63-77	PLATE		1
202	587 78 52-01	PANEL	RH	1
203	587 78 51-01	PANEL	LH	1
213	874 76 05-12	BOLT		1
217	532 40 91-67	ROD		1
218	532 19 63-95	PLATE		1
222	532 13 77-29	SCREW		1
228	532 19 51-61	STUD		1
235	532 40 61-29	SPACER		1
236	873 93 05-00	NUT		1
237	532 40 37-04	PLUG		1
297	532 42 54-06	INSERT		1
306	873 90 06-00	NUT		1
314	587 77 77-01	PANEL		1
315	587 77 76-01	PANEL		1
--	532 40 09-44	FRONT BUMPER *SUBS/2*		1



DECALS

LGT54 , 96043019900, 2014-10

Ref	Part No	Description	Remark	QTY KIT
1	581 57 89-01	DECAL		1
2	587 67 54-01	DECAL		1
3	581 72 45-02	DECAL		1
5	587 73 15-01	DECAL		1
6	587 52 31-01	DECAL		1
7	587 56 08-01	DECAL		1
8	584 90 46-01	DECAL		1
9	532 14 50-05	DECAL		1
12	581 58 00-02	DECAL		1
	581 72 48-01	DECAL	NOT SHOWN	1
	532 41 19-03	PAD	"NOT SHOWN, LH"	1
	532 41 19-02	PAD.FOOTREST.RH.STGT.B*SUBS/2*	"NOT SHOWN, RH"	1



DRIVE

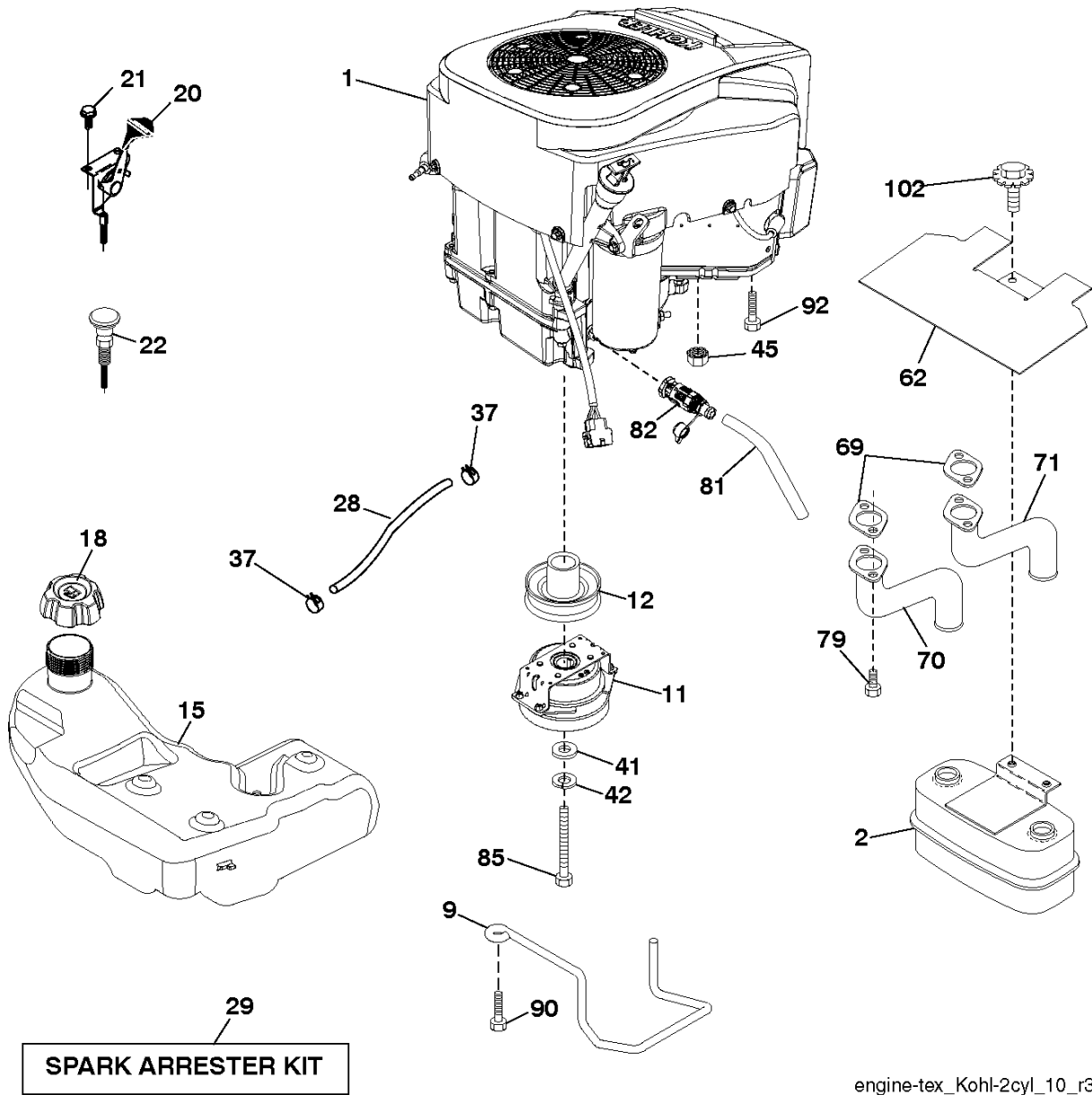
LGT54 , 96043019900, 2014-10

Ref	Part No	Description	Remark	QTY KIT
1	000 00 00-00	W/O DESCRIPTION	TRANSAXLE TUFFTORQ K46AW (448354)	1
2	532 18 62-11	KEY		1
7	532 19 98-44	HUB		1
9	532 14 00-80	BOLT		1
15	819 13 13-16	WASHER		1
17	532 41 36-78	SRPING.BRAKE.K46.GREEN*SUBS/2*		1
22	532 19 73-29	ROD		1
23	532 14 08-45	KNOB		1
29	532 40 38-06	ROD		1
33	812 00 00-01	RETAINING RING		1
35	583 86 45-01	ROD		1
42	532 12 48-72	PEDAL RUBBER		1
49	872 11 06-14	BOLT		1
50	532 19 43-27	PULLEY		1
51	873 90 06-00	NUT		1
52	532 19 43-26	PULLEY		1
56	532 13 09-69	BELT		1
64	532 19 62-00	SHAFT		1
70	532 19 33-40	CONSOLE		1
73	874 49 05-60	BOLT		1
74	532 14 24-32	SCREW		1
99	532 41 57-43	ROD.SPRING.BYPASS.K46.TEX.GT		1
116	873 90 05-00	NUT		1
125	817 00 05-12	SCREW		1
143	817 49 05-08	SCREW		1
153	532 12 47-88	RETAINING RING		1
159	876 02 04-12	SPLIT PIN		1
160	532 16 94-84	PIN RETAINING SCREW		1
161	532 10 57-09	SPRING		1
162	580 45 74-01	SPACER		1
166	532 42 91-64	NUT		1
167	532 40 52-57	LATCH		1
170	532 41 34-30	BELT GUIDE		1
174	532 19 72-89	NUT		1
175	532 40 62-08	SHAFT		1
176	532 19 62-14	ARM		1
178	532 19 74-56	SPRING		1
183	532 40 04-24	SPACER		1
184	587 65 37-01	HANDLE		1
185	872 11 06-22	BOLT		1
186	532 19 43-21	SPACER		1
187	819 13 32-10	WASHER		1
188	532 19 43-23	LINK		1
189	532 19 43-17	PLATE		1
190	532 19 43-18	BELT GUIDE		1
196	817 00 06-16	SCREW		1
197	585 65 86-01	CLUTCH		1
205	532 12 17-48	WASHER		1
211	532 19 62-12	BUSHING		1
216	532 19 61-31	BRACKET		1
221	532 40 31-87	RETAINER SPRING		1
225	532 40 33-19	BELT GUIDE		1
227	817 49 05-12	SCREW		1
230	532 18 89-67	WASHER		1
231	532 40 72-87	PULLEY		1
233	532 40 52-96	WASHER		1
276	874 78 07-16	BOLT		1
279	532 40 62-07	LINK		1
325	585 99 57-02	BRACKET		1
326	585 99 31-02	BRACKET		1
334	585 88 22-02	BRACKET		1
336	587 25 96-01	BOLT		1

ELECTRICAL

LGT54 , 96043019900, 2014-10

Ref	Part No	Description	Remark	QTY KIT
1	532 16 34-65	BATTERY		1
2	874 76 04-12	BOLT		1
8	587 20 51-01	TRAY		1
16	532 17 61-38	SWITCH INTERLOCK		1
21	532 40 02-52	CABLE		1
22	532 00 41-52	BULB		1
24	585 55 56-01	CABLE		1
25	585 55 55-01	CABLE		1
26	532 17 51-58	FUSE		1
27	873 51 04-00	NUT		1
28	532 41 65-88	CABLE		1
29	532 40 15-45	SWITCH		1
30	532 19 33-50	IGNITION MODULE		1
33	532 41 19-33	KEY		1
34	532 11 07-12	SWITCH		1
40	532 40 11-04	CABLE ASSY		1
41	817 72 04-08	SCREW		1
42	532 13 15-63	COVER		1
43	532 19 25-07	SOLENOID		1
46	586 16 18-01	HOUR METER		1
50	532 17 46-51	SWITCH PTO		1
55	817 06 05-12	SCREW		1
71	532 19 42-76	CABLE ASSY		1
79	532 17 52-42	HOLDER		1
90	532 43 53-95	TERMINAL COVER		1
99	817 67 04-12	SCREW		1
100	819 09 14-16	WASHER		1
102	532 40 44-54	CABLE		1
105	532 40 75-68	SWITCH		1



ENGINE

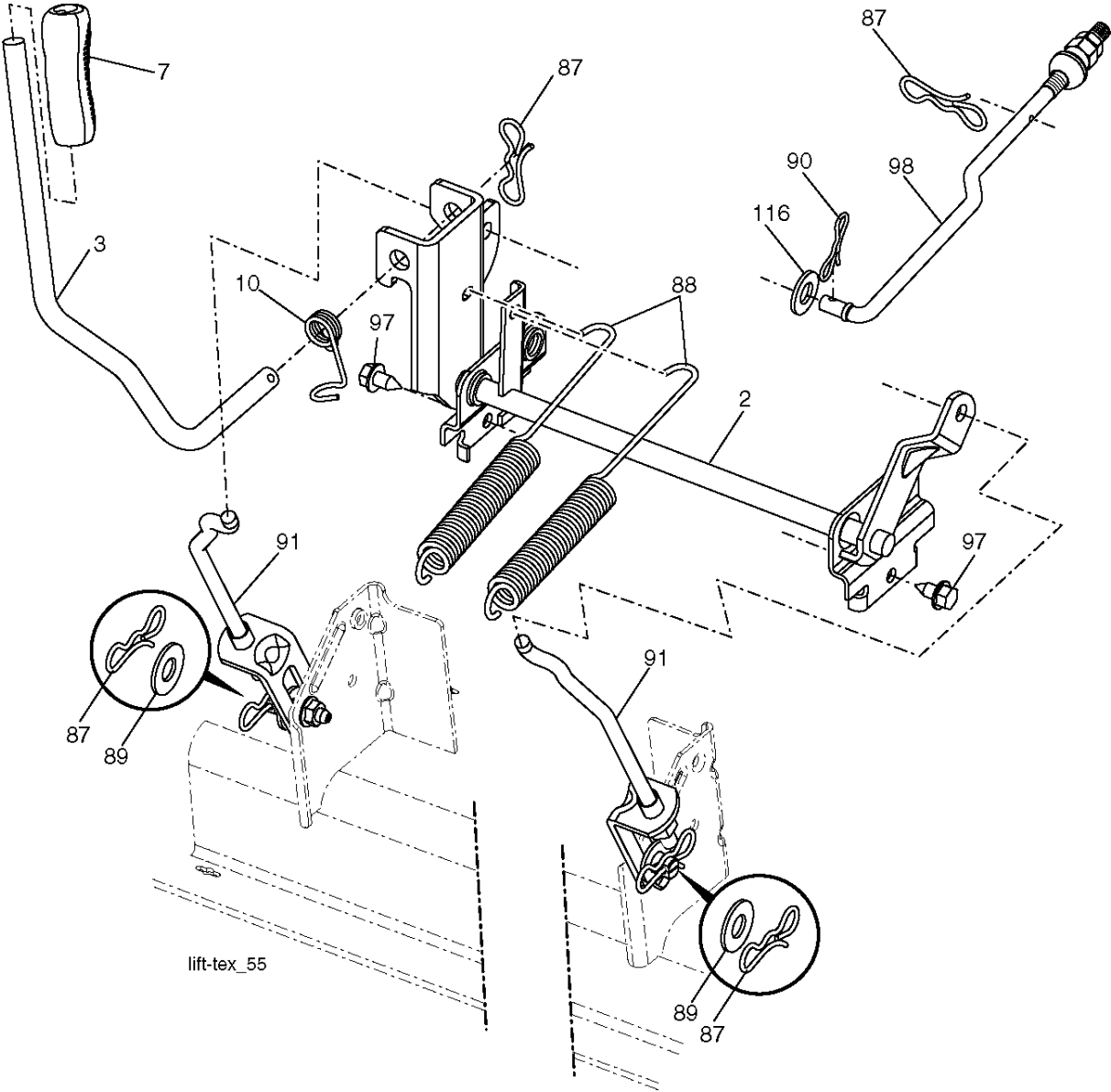
LGT54 , 96043019900, 2014-10

Ref	Part No	Description	Remark	QTY KIT
1	000 00 00-00	W/O DESCRIPTION	ENGINE KOHL MODEL NO. KT735-3058 (587959801)	1
2	532 44 59-62	MUFFLER		1
9	584 90 80-01	KEEPER		1
11	587 24 14-01	CLUTCH		1
12	532 19 43-43	PULLEY		1
15	532 43 80-81	FUEL TANK ASSY		1
18	585 12 48-02	FUEL CAP ASSY		1
20	532 18 29-37	THROTTLE CONTROL		1
21	532 41 63-58	SCREW		1
22	532 19 15-96	COMMA*RPL.PAR 532187767428		1
28	532 40 11-35	LINE.FUEL.64"REAR.EMIS		1
29	532 13 71-80	SPARK ARRESTER KIT		1
37	532 12 34-87	HOSE CLAMP		1
41	532 12 61-97	WASHER		1
42	810 04 07-00	WASHER		1
45	873 51 04-00	NUT		1
62	532 43 40-17	SHIELD		1
69	532 18 60-54	GASKET MUFFLER		1
70	583 95 45-01	TUBE		1
71	583 95 48-01	TUBE		1
79	532 19 23-34	SCREW		1
81	532 14 84-56	TUBE		1
82	532 42 82-87	PLUG		1
85	581 63 62-01	BOLT		1
90	817 00 06-16	SCREW		1
92	817 12 06-16	BOLT		1
102	817 00 05-12	SCREW		1

MOWER DECK / CUTTING DECK

LGT54 , 96043019900, 2014-10

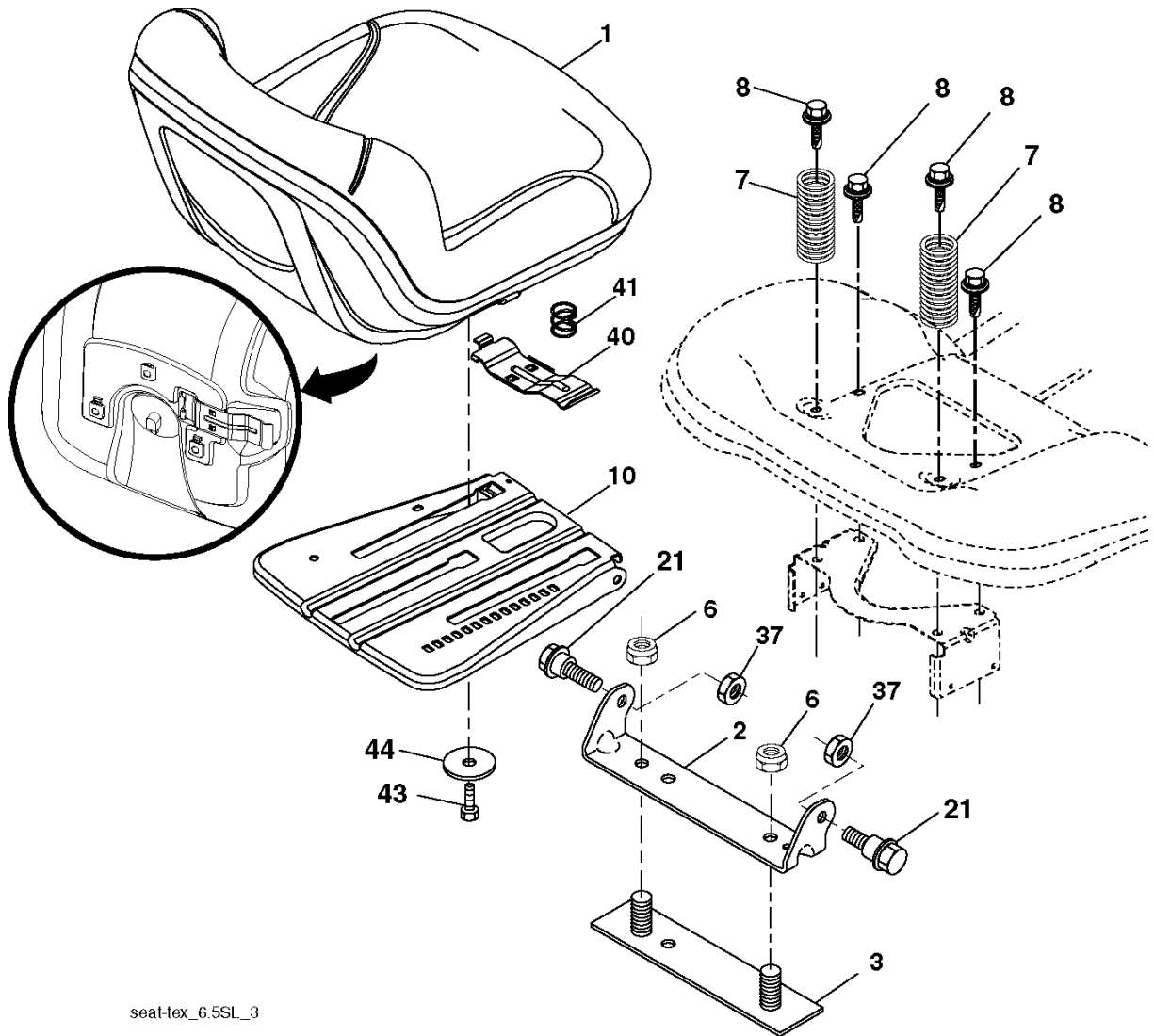
Ref	Part No	Description	Remark	QTY KIT
1	532 44 23-82	CUTTING DECK		1
6	532 19 60-66	COVER	LH	1
7	532 19 71-81	COVER	RH	1
11	532 18 72-56	RIDE ON BLADE		1
12	532 40 48-51	ROD		1
13	587 25 64-01	SHAFT		1
14	532 18 72-81	HOUSING MANDREL		1
15	585 32 39-01	BEARING		1
16	819 13 13-12	WASHER		1
18	872 14 05-05	BOLT		1
19	532 19 42-08	PEN		1
21	873 68 05-00	NUT		1
24	532 10 53-04	HUB CAP		1
25	532 17 81-02	SPRING		1
26	532 11 04-52	NUT		1
27	532 18 89-38	DEFLECTOR		1
29	532 13 14-91	SHAFT		1
32	532 15 35-35	PULLEY		1
33	532 40 02-34	NUT		1
34	873 68 06-00	NUT		1
35	584 30 93-01	SCREW		1
39	532 19 73-80	PULLEY		1
41	584 95 39-01	BOLT		1
43	532 19 60-65	ARM		1
46	532 13 77-29	SCREW		1
47	587 68 67-01	BELT		1
49	873 90 06-00	NUT		1
50	872 11 06-16	BOLT		1
52	532 19 73-79	PULLEY		1
58	532 18 73-42	BAFFLE		1
59	532 18 73-44	BAFFLE LEFT	94	1
60	532 18 76-07	BAFFLE CENTER 54" MOWER	LH	1
61	585 32 26-05	REINFORCEMENT PLATE		1
62	585 32 28-05	REINFORCEMENT PLATE		1
63	872 11 05-10	BOLT		1
97	532 17 85-15	WASHER		1
98	532 19 61-05	SPRING		1
113	872 11 05-08	BOLT		1
114	532 18 75-56	ROD TENSION RELIEF		1
116	532 19 34-06	BOLT		1
117	532 17 48-73	WHEEL		1
120	819 13 20-12	WASHER		1
122	532 18 75-57	BUSHING	LH	1
184	873 90 05-00	NUT		1
185	873 90 07-00	NUT		1
187	532 19 51-61	STUD		1
189	532 19 51-85	ARM		1
190	532 19 65-39	BOLT		1
192	532 19 84-68	BELT GUIDE		1
194	874 49 07-36	BOLT		1
196	872 14 06-20	BOLT		1
241	532 15 29-27	SCREW		1
242	532 41 55-98	PORT.WASHOUT		1
245	819 11 11-16	WASHER		1
	532 41 64-05	COUPLING	NOT SHOWN	1
	587 12 54-01	MANDREL	MANDREL ASSEMBLY (Includes Housing (Key # 14), Shaft Assembly (Key # 13) and Bearing Only (Key # 15) - Pulley/Nut/Washer and Blade Bolt/Washers Not Included)	1
	587 70 44-01	SERVICE TOOLS	NOT SHOWN	1



MOWER LIFT / DECK LIFT

LGT54 , 96043019900, 2014-10

Ref	Part No	Description	Remark	QTY KIT
2	532 42 20-27	SHAFT	RH	1
3	532 19 52-30	LEVER	RH	1
7	580 96 23-01	GRIP		1
10	532 19 63-14	SPRING		1
87	532 19 42-09	SPRING		1
88	532 19 53-04	SPRING		1
89	819 19 19-12	WASHER		1
90	532 19 42-08	PEN		1
91	532 40 34-07	LINK		1
97	817 00 06-12	SCREW		1
98	532 19 52-64	LINK		1
116	819 15 15-16	WASHER		1

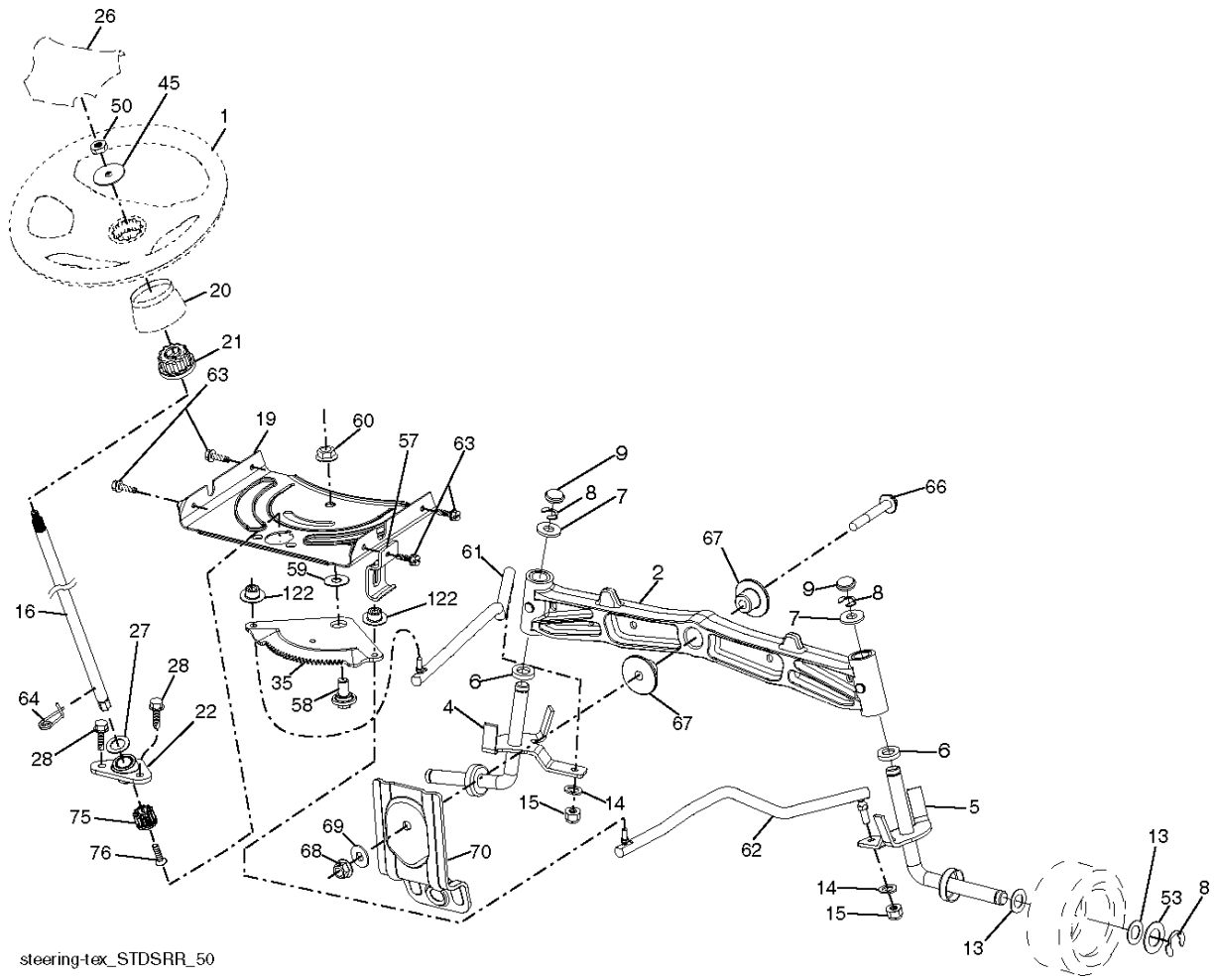


seat-hex_6.5SL_3

SEAT

LGT54 , 96043019900, 2014-10

Ref	Part No	Description	Remark	QTY KIT
1	532 40 66-25	SEAT		1
2	532 18 01-66	BRACKET PIVOT		1
3	532 14 06-75	STRAP		1
6	873 80 06-00	NUT		1
7	587 61 33-01	SPRING		1
8	532 17 18-77	BOLT		1
10	532 19 69-77	PLATE		1
21	587 90 78-01	BOLT		1
37	873 80 05-00	LOCK NUT		1
40	532 19 76-61	HANDLE		1
41	532 19 82-00	SPRING		1
43	874 76 06-12	BOLT		1
44	819 13 38-12	WASHER		1

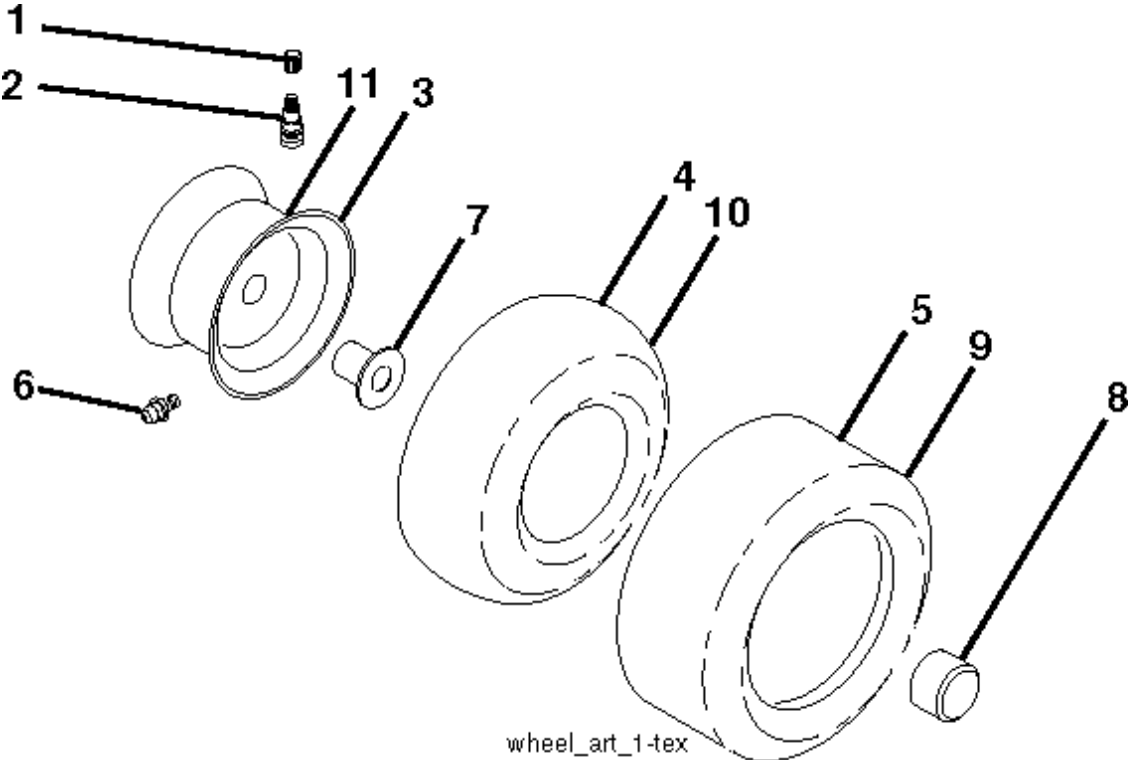


steering-tex_STDSRR_50

STEERING

LGT54 , 96043019900, 2014-10

Ref	Part No	Description	Remark	QTY KIT
1	532 42 41-46	STEERING WHEEL		1
2	532 19 59-68	SHAFT		1
4	532 40 30-89	SPINDLE SHAFT	LH	1
5	532 40 30-90	SPINDLE SHAFT	RH	1
6	532 12 49-31	WASHER		1
7	532 12 17-48	WASHER		1
8	812 00 00-29	RETAINING RING		1
9	532 12 12-32	HUB CAP		1
13	532 12 17-49	WASHER		1
14	810 04 06-00	WASHER		1
15	873 54 06-00	NUT		1
16	587 01 60-02	SHAFT		1
19	532 19 47-29	PLATE		1
20	532 42 47-40	BOOT		1
21	586 84 02-01	ADAPTER		1
22	585 02 98-02	BEARING		1
26	532 42 41-47	HUB CAP		1
27	819 21 16-16	WASHER		1
28	817 00 06-12	SCREW		1
35	532 19 47-32	PLATE		1
45	587 01 64-01	WASHER		1
50	873 90 06-00	NUT		1
53	532 18 89-67	WASHER		1
57	532 19 72-46	BRACKET		1
58	532 19 47-47	BOLT		1
59	532 19 47-48	WASHER		1
60	873 97 10-00	NUT		1
61	532 19 47-40	LINK	LH	1
62	532 19 47-41	LINK	RH	1
63	817 00 05-12	SCREW		1
64	532 19 98-49	RETAINER SPRING		1
66	871 02 07-48	BOLT		1
67	532 19 47-37	BUSHING		1
68	873 90 07-00	NUT		1
69	532 19 91-62	WASHER		1
70	585 33 88-01	BRACKET		1
75	580 68 37-01	PINION		1
76	580 68 36-01	SCREW		1
122	532 44 49-62	CAP		1



WHEELS & TIRES

LGT54 , 96043019900, 2014-10

Ref	Part No	Description	Remark	QTY KIT
1	532 05 91-92	CAP VALVE		1
2	532 06 51-39	NIPPLE		1
3	532 18 18-39	RIM ASSY	Front 6"	1
4	532 00 81-34	HOSE	(Service Item Only)	1
5	532 10 62-30	TIRE	FRONT (16 X 6.5-8)	1
6	532 12 49-57	FITTING	(Front Wheel Only)	1
7	532 12 49-59	BEARING	(Front Wheel Only)	1
8	532 17 50-39	HUB CAP		1
9	532 18 47-08	WHEEL	REAR (22 X 9.5-12)	1
10	532 12 49-26	HOSE	(Service Item Only)	1
11	532 40 17-82	RIM-REAR	Rear 8"	1
	532 14 43-34	SEALING FOAM		1