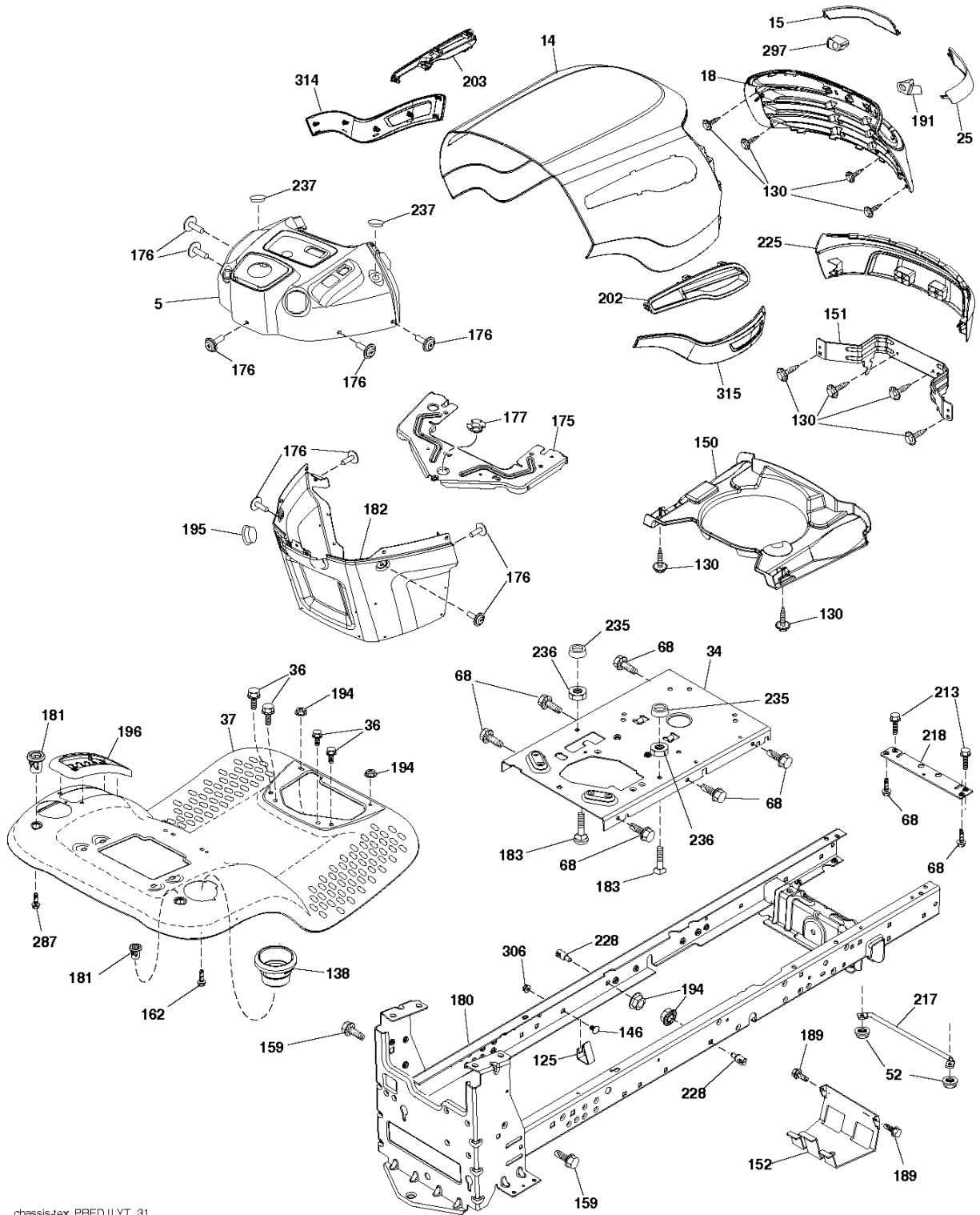




SPARE PARTS LIST

TRACTORS/RIDE MOWERS

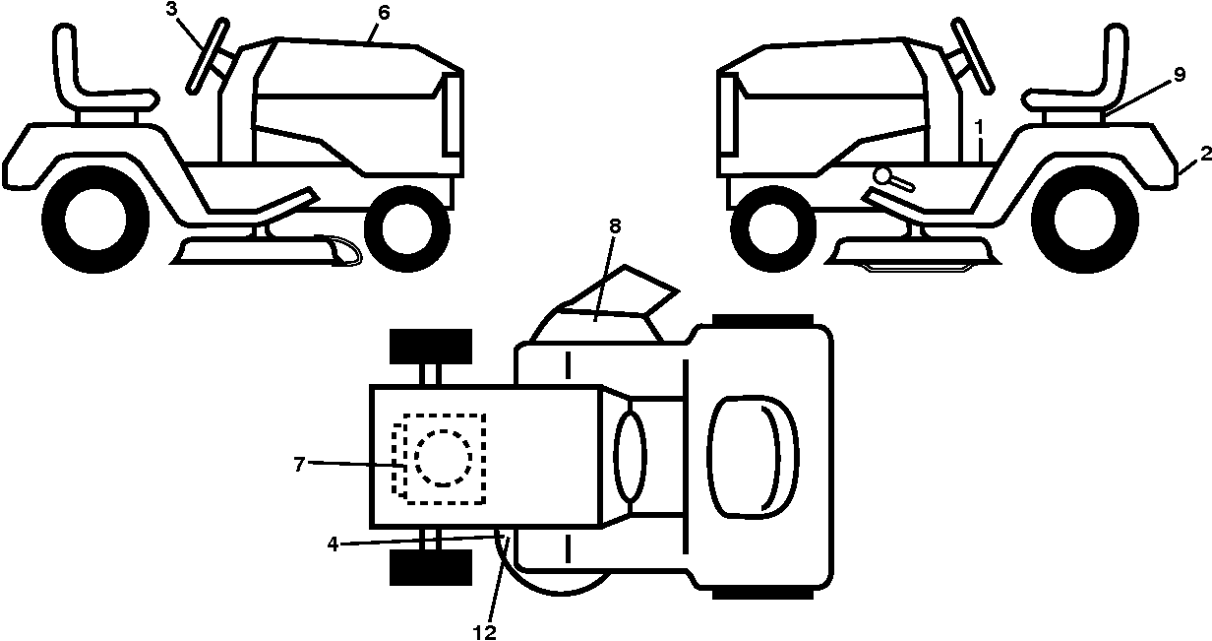
YT42, 96043019600, 2014-10



CHASSIS / FRAME

YT42, 96043019600, 2014-10

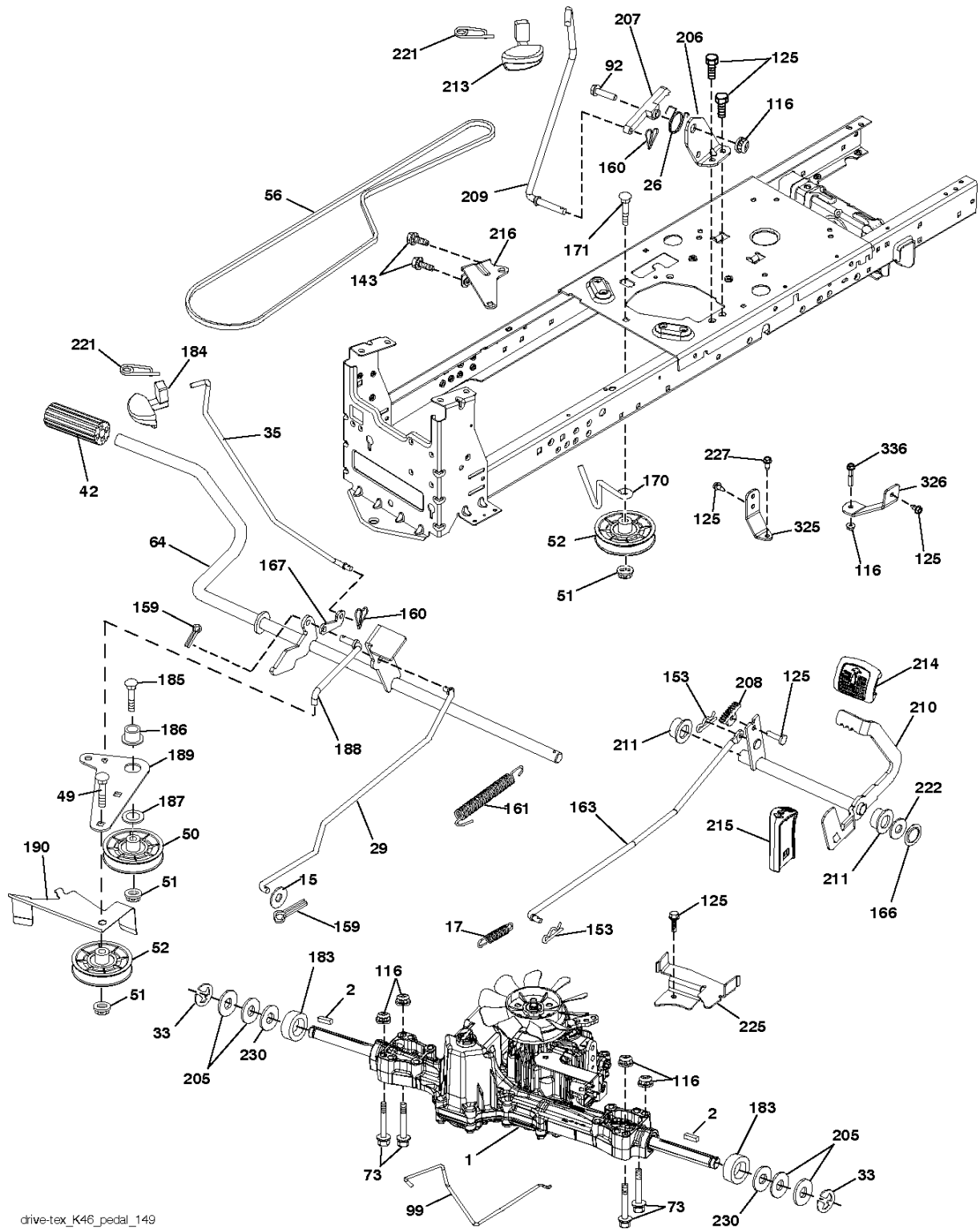
Ref	Part No	Description	Remark	QTY KIT
5	532 44 18-82	DASH		1
14	587 89 98-01	HOOD		1
15	587 89 86-01	LENS	LH	1
18	587 78 54-01	GRILLE		1
25	587 89 84-01	LENS	RH	1
34	580 91 08-01	CHASSIS		1
36	817 06 05-12	SCREW		1
37	532 44 34-76	FENDER		1
52	873 68 05-00	NUT		1
68	817 49 05-08	SCREW		1
125	581 68 48-01	CLIP		1
130	532 41 63-58	SCREW		1
138	532 40 97-30	CONSOLE		1
146	581 85 79-01	BOLT		1
150	584 86 29-01	DUCT		1
151	532 44 54-94	BRACKET		1
152	532 19 95-35	SHIELD		1
159	817 00 06-12	SCREW		1
162	532 14 24-32	SCREW		1
175	532 19 63-04	SUPPORT		1
176	532 40 07-76	SCREW		1
177	532 19 52-28	BUSHING		1
180	532 19 54-57	CHASSIS		1
181	532 40 47-96	BUSHING		1
182	532 40 68-59	DASH		1
183	874 52 05-20	BOLT		1
189	817 00 05-12	SCREW		1
191	532 42 54-07	INSERT		1
194	873 90 05-00	NUT		1
195	532 40 41-37	TROU*RPL.PAR 532401556428		1
196	532 41 45-79	CONSOLE		1
202	587 78 52-01	PANEL	RH	1
203	587 78 51-01	PANEL	LH	1
213	874 76 05-12	BOLT		1
217	532 40 91-67	ROD		1
218	532 19 63-95	PLATE		1
225	587 89 81-01	BUMPER		1
228	532 19 51-61	STUD		1
235	532 40 61-29	SPACER		1
236	873 93 05-00	NUT		1
237	532 40 37-04	PLUG		1
287	817 60 04-06	SCREW		1
297	532 42 54-06	INSERT		1
306	873 90 06-00	NUT		1
314	587 77 71-01	PANEL	LH	1
315	587 77 70-01	PANEL	RH	1



DECALS

YT42, 96043019600, 2014-10

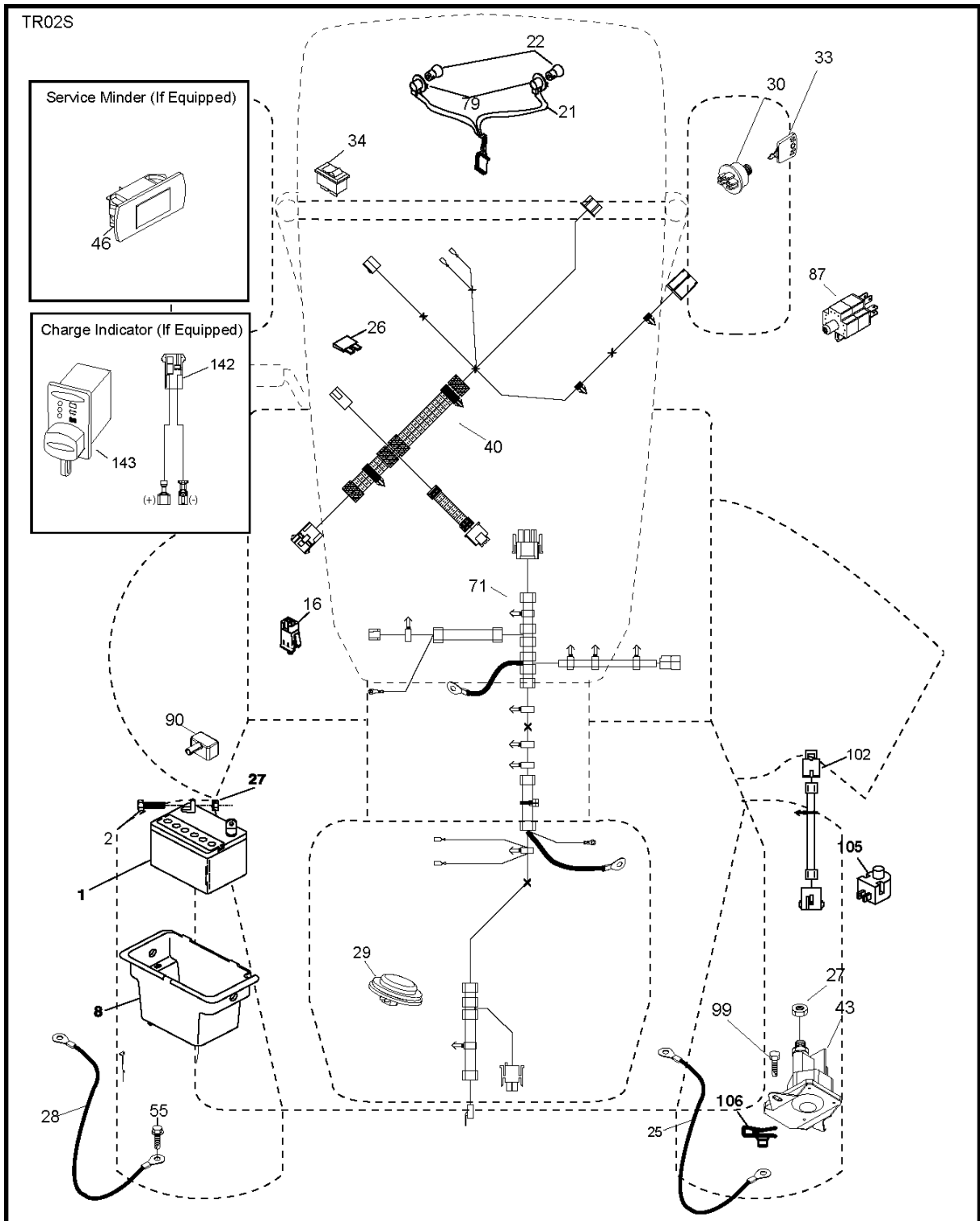
Ref	Part No	Description	Remark	QTY KIT
1	581 57 89-01	DECAL		1
2	587 67 54-01	DECAL		1
3	587 73 15-01	DECAL		1
4	587 56 08-01	DECAL		1
6	587 64 75-01	DECAL		1
7	585 55 68-01	DECAL		1
8	584 90 46-01	DECAL		1
9	532 14 50-05	DECAL		1
12	581 58 00-01	DECAL		1
	581 72 48-01	DECAL	NOT SHOWN	1
	532 40 95-05	PAD	"NOT SHOWN, LH"	1
	532 40 95-07	PAD	"NOT SHOWN, RH"	1



DRIVE

YT42, 96043019600, 2014-10

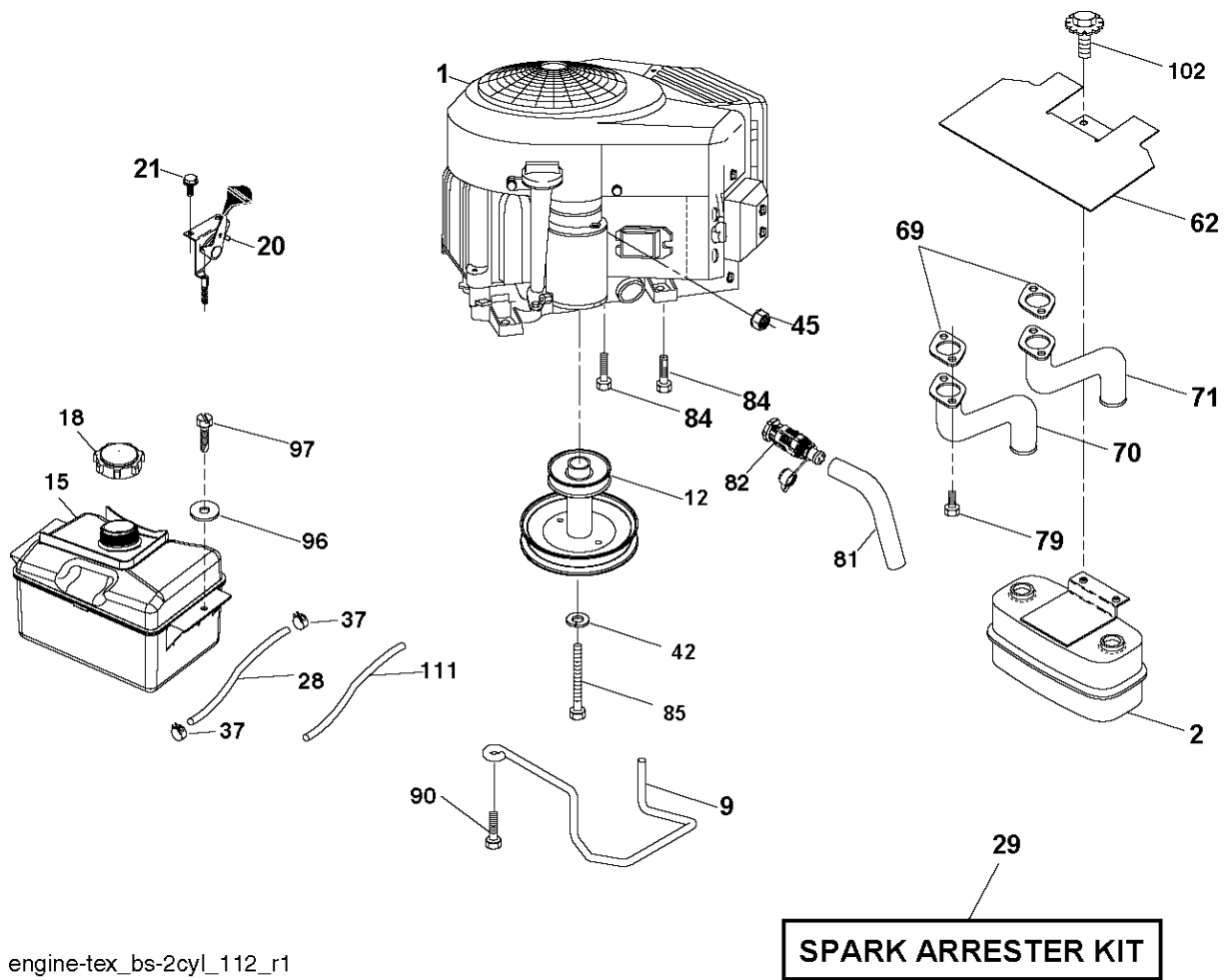
Ref	Part No	Description	Remark	QTY KIT
1	000 00 00-00	W/O DESCRIPTION	TRANSAXLE TUFFTORQ K46BT (426120)	1
2	532 12 35-83	KEY		1
15	819 13 13-16	WASHER		1
17	532 41 36-78	SRPING.BRAKE.K46.GREEN*SUBS/2*		1
26	532 19 96-79	SPRING		1
29	532 40 38-06	ROD		1
33	812 00 00-01	RETAINER RING		1
35	583 86 45-01	ROD		1
42	532 12 48-72	PEDAL RUBBER		1
49	872 11 06-14	BOLT		1
50	532 19 43-27	PULLEY		1
51	873 90 06-00	NUT		1
52	532 19 43-26	PULLEY		1
56	532 13 09-69	BELT		1
64	532 19 78-65	SHAFT		1
73	874 49 05-40	BOLT		1
92	874 76 05-20	BOLT		1
99	532 41 57-42	ROD		1
116	873 90 05-00	NUT		1
125	817 00 05-12	SCREW		1
143	817 49 05-08	SCREW		1
153	532 12 47-88	RETAINING RING		1
159	876 02 04-12	SPLIT PIN		1
160	532 16 94-84	PIN		1
161	532 10 57-09	SPRING		1
163	532 44 82-75	CONTROL		1
166	532 42 91-64	NUT		1
167	532 40 52-57	LATCH		1
170	532 19 43-22	KEEPER		1
171	872 11 06-16	BOLT		1
183	532 13 70-57	SPACER		1
184	587 65 37-01	HANDLE		1
185	872 11 06-22	BOLT		1
186	532 19 43-21	SPACER		1
187	819 13 32-10	WASHER		1
188	582 21 70-01	LINK		1
189	532 19 43-17	PLATE		1
190	532 19 43-18	BELT GUIDE		1
205	532 12 17-48	WASHER		1
206	532 44 85-96	BRACKET		1
207	587 03 14-01	LATCH		1
208	532 19 78-69	SUPPORT		1
209	532 19 95-92	ROD		1
210	532 40 09-80	PEDAL ARM		1
211	532 12 01-83	BEARING		1
213	532 40 31-19	CONTROL		1
214	532 42 12-63	PAD		1
215	532 40 17-23	PEDAL		1
216	532 19 61-31	BRACKET		1
221	532 40 31-87	RETAINER SPRING		1
222	879 21 20-10	WASHER		1
225	532 40 33-19	BELT GUIDE		1
227	817 49 05-12	SCREW		1
230	532 18 89-67	WASHER		1
325	585 66 85-02	BRACKET		1
326	585 67 08-02	BRACKET		1
336	587 25 96-01	BOLT		1



ELECTRICAL

YT42, 96043019600, 2014-10

Ref	Part No	Description	Remark	QTY KIT
1	532 16 34-65	BATTERY		1
2	874 76 04-12	BOLT		1
8	532 19 32-28	BOX		1
16	532 17 61-38	SWITCH INTERLOCK		1
21	532 40 02-52	CABLE		1
22	532 00 41-52	BULB		1
25	581 49 80-01	CABLE		1
26	532 17 51-58	FUSE		1
27	873 51 04-00	NUT		1
28	532 42 16-86	CABLE		1
29	532 40 15-45	SWITCH		1
30	532 19 33-50	IGNITION MODULE		1
33	532 41 19-33	KEY		1
34	532 11 07-12	SWITCH		1
40	581 02 31-01	HARNESS		1
43	532 19 25-07	SOLENOID		1
46	586 16 18-01	HOUR METER		1
55	817 06 05-12	SCREW		1
71	581 02 30-01	HARNESS		1
79	532 17 52-42	HOLDER		1
87	532 19 78-02	SWITCH		1
90	532 43 53-95	TERMINAL COVER		1
99	817 67 04-12	SCREW		1
102	532 40 44-54	CABLE		1
105	532 40 75-68	SWITCH		1
106	532 17 48-14	NUT		1

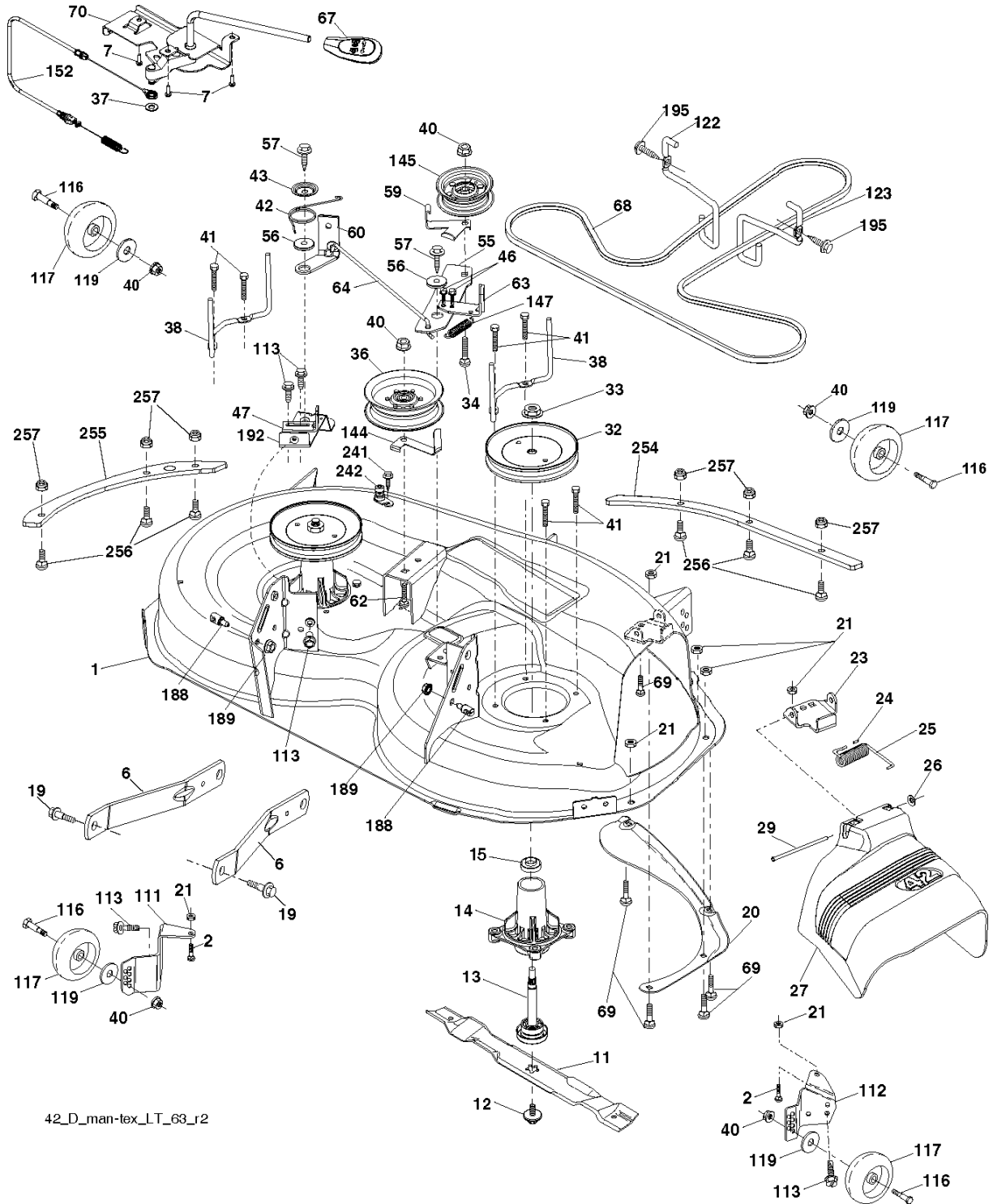


engine-tex_bs-2cyl_112_r1

ENGINE

YT42, 96043019600, 2014-10

Ref	Part No	Description	Remark	QTY KIT
1	000 00 00-00	W/O DESCRIPTION	ENGINE B&S MODEL NO. 44R877-0003-G1 (585700301)	1
2	532 44 59-62	MUFFLER		1
9	584 90 80-01	KEEPER		1
12	586 47 85-01	PULLEY		1
15	532 43 30-07	TANK ASSY		1
18	581 17 61-01	CAP		1
20	532 42 35-02	CONTROL		1
21	532 41 63-58	SCREW		1
28	532 40 11-37	DURITE ESSENCE 20"		1
29	532 13 71-80	SPARK ARRESTER KIT		1
37	532 12 34-87	HOSE CLAMP		1
42	810 04 07-00	WASHER		1
45	873 51 04-00	NUT		1
62	532 43 40-17	SHIELD		1
69	532 16 53-91	GASKET		1
70	581 88 11-01	TUBE		1
71	581 88 10-01	TUBE		1
79	532 18 39-06	SCREW		1
81	532 14 84-56	TUBE		1
82	532 42 82-87	PLUG		1
84	817 06 06-20	SCREW		1
85	532 17 39-37	BOLT		1
90	817 00 06-16	SCREW		1
96	819 09 14-16	WASHER		1
97	817 67 04-12	SCREW		1
102	817 00 05-12	SCREW		1
111	532 41 41-19	PURGE LINE CARB		1



42_D_man-tex_LT_63_r2

MOWER DECK / CUTTING DECK

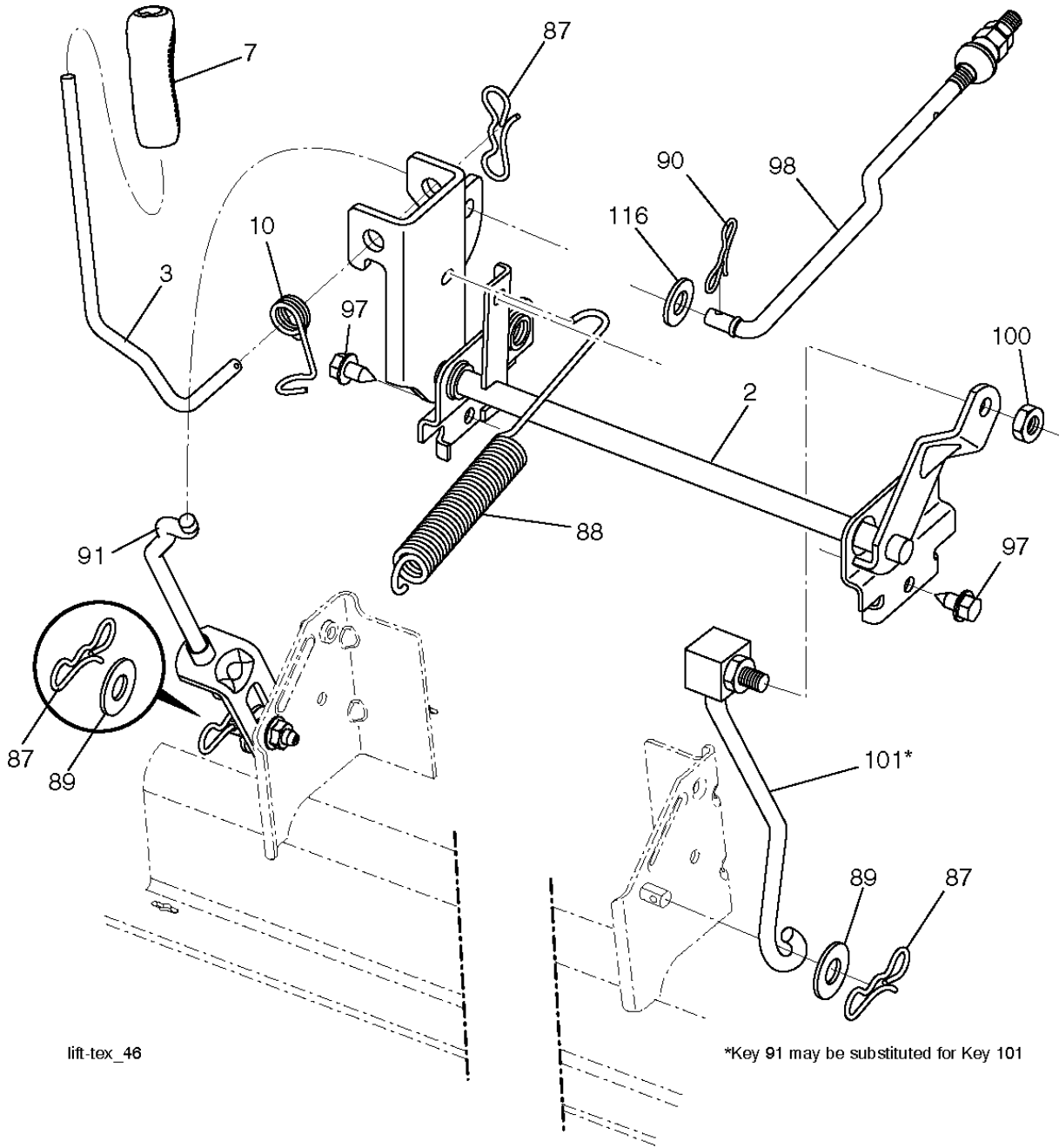
YT42, 96043019600, 2014-10

Ref	Part No	Description	Remark	QTY KIT
1	587 89 99-01	DECK		1
2	872 14 05-06	BOLT	LH	1
6	532 19 51-86	ARM		1
7	532 41 63-58	SCREW		1
11	532 13 89-71	RIDE ON BLADE		1
12	584 30 93-01	SCREW		1
13	587 25 65-01	SHAFT		1
14	532 18 72-81	HOUSING MANDREL		1
15	585 32 39-01	BEARING		1
19	532 19 65-39	BOLT		1
20	532 15 97-70	RAIL		1
21	873 68 05-00	NUT		1
23	532 19 25-57	HINGE		1
24	532 10 53-04	HUB CAP		1
25	532 19 70-26	TORSION SPRING		1
26	532 11 04-52	NUT		1
27	532 40 30-04	SHIELD		1
29	532 13 14-91	SHAFT		1
32	532 19 74-73	PULLEY		1
33	532 40 02-34	NUT		1
34	872 11 06-12	BOLT		1
36	532 19 73-79	PULLEY		1
37	819 13 13-16	WASHER		1
38	532 43 25-20	KEEPER		1
40	873 90 06-00	NUT		1
41	584 95 39-01	BOLT		1
42	532 19 84-10	SPRING		1
43	532 19 72-56	SPRING		1
46	532 13 77-29	SCREW		1
47	532 19 72-50	BRACKET		1
55	532 43 71-10	ARM		1
56	532 19 90-92	SPACER		1
57	817 00 06-16	SCREW		1
59	532 14 10-43	GUARD	94	1
60	532 19 72-61	ARM	LH	1
62	872 11 06-16	BOLT		1
63	532 19 94-77	ARM		1
64	532 19 99-18	LINK BRAKE		1
67	532 40 30-12	HANDLE		1
68	532 42 96-36	BELT		1
69	872 14 05-05	BOLT		1
70	532 19 99-72	CLUTCH.ASM.MANUAL.YT.PREDATORQ		1
111	532 40 47-84	BRACKET WHEEL GAUGE (LH)		1
112	532 40 47-85	BRACKET WHEEL GAUGE (RH)		1
113	817 00 05-10	BOLT		1
116	532 12 48-42	BOLT		1
117	532 18 86-06	WHEEL		1
119	819 12 14-14	WASHER		1
122	532 19 72-58	BELT GUIDE	LH	1
123	532 19 72-59	BELT GUIDE	RH	1
144	532 19 92-04	BELT GUIDE		1
145	532 19 31-97	PULLEY		1
147	532 40 19-71	SPRING		1
152	584 24 35-01	CABLE		1
188	532 19 51-61	STUD		1
189	873 90 05-00	NUT		1
192	532 19 72-60	BRACKET		1
195	817 00 06-12	SCREW		1
241	532 15 29-27	SCREW		1
242	532 41 55-98	PORT.WASHOUT		1
254	585 31 68-05	REINFORCEMENT PLATE		1
255	585 31 70-05	REINFORCEMENT PLATE		1
256	539 10 98-00	BOLT		1
257	873 90 04-00	NUT		1

MOWER DECK / CUTTING DECK

YT42, 96043019600, 2014-10

Ref	Part No	Description	Remark	QTY KIT
	587 89 06-01	DECK	NOT SHOWN	1
	587 25 33-01	MANDREL	MANDREL ASSEMBLY (Includes Housing (Key # 14), Shaft Assembly (Key # 13) and Bearing Only (Key # 15) - Pulley/Nut/Washer and Blade Bolt/Washers Not Included)	1
	532 41 64-05	COUPLING	NOT SHOWN	1



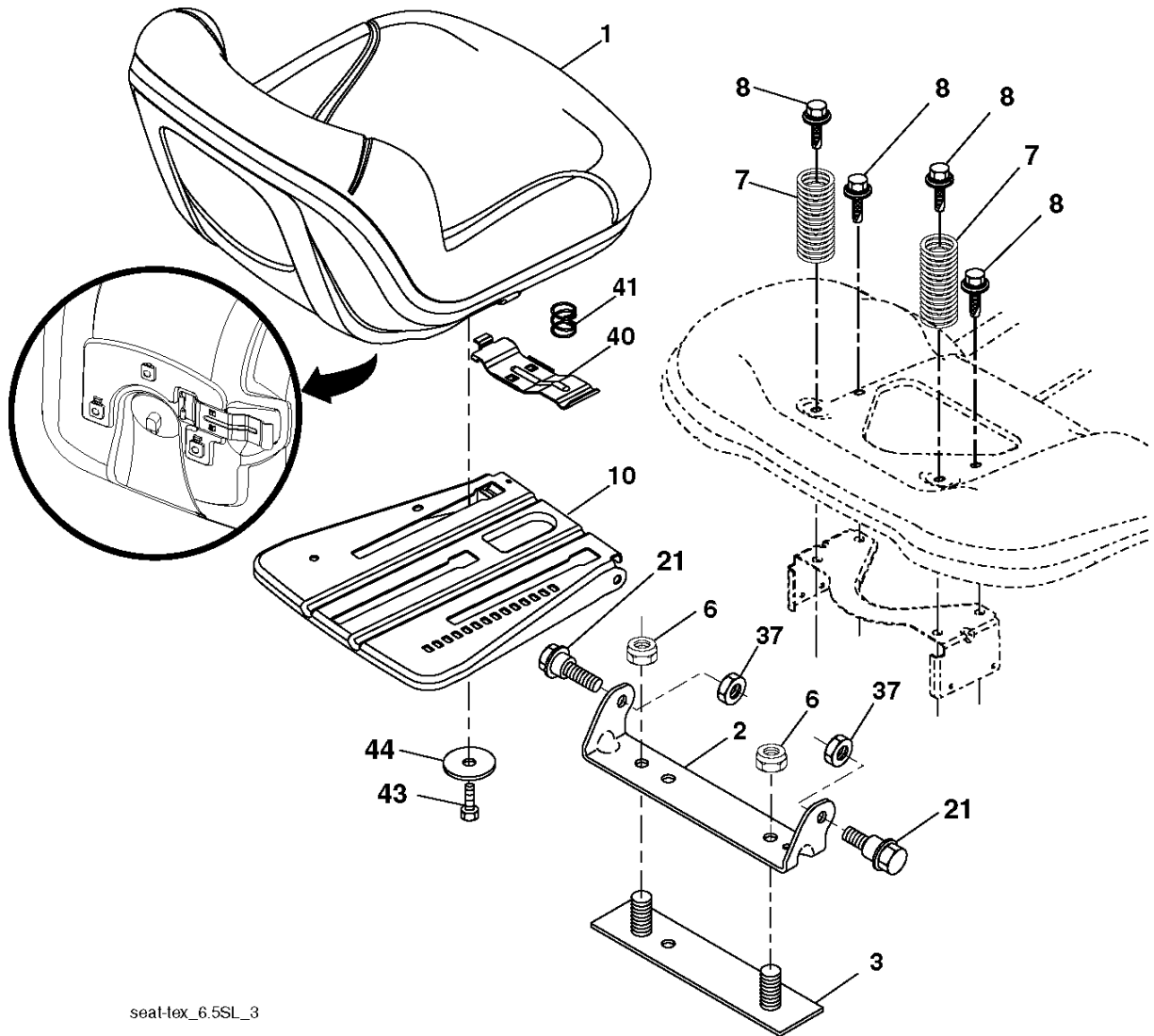
lift-tex_46

*Key 91 may be substituted for Key 101

MOWER LIFT / DECK LIFT

YT42, 96043019600, 2014-10

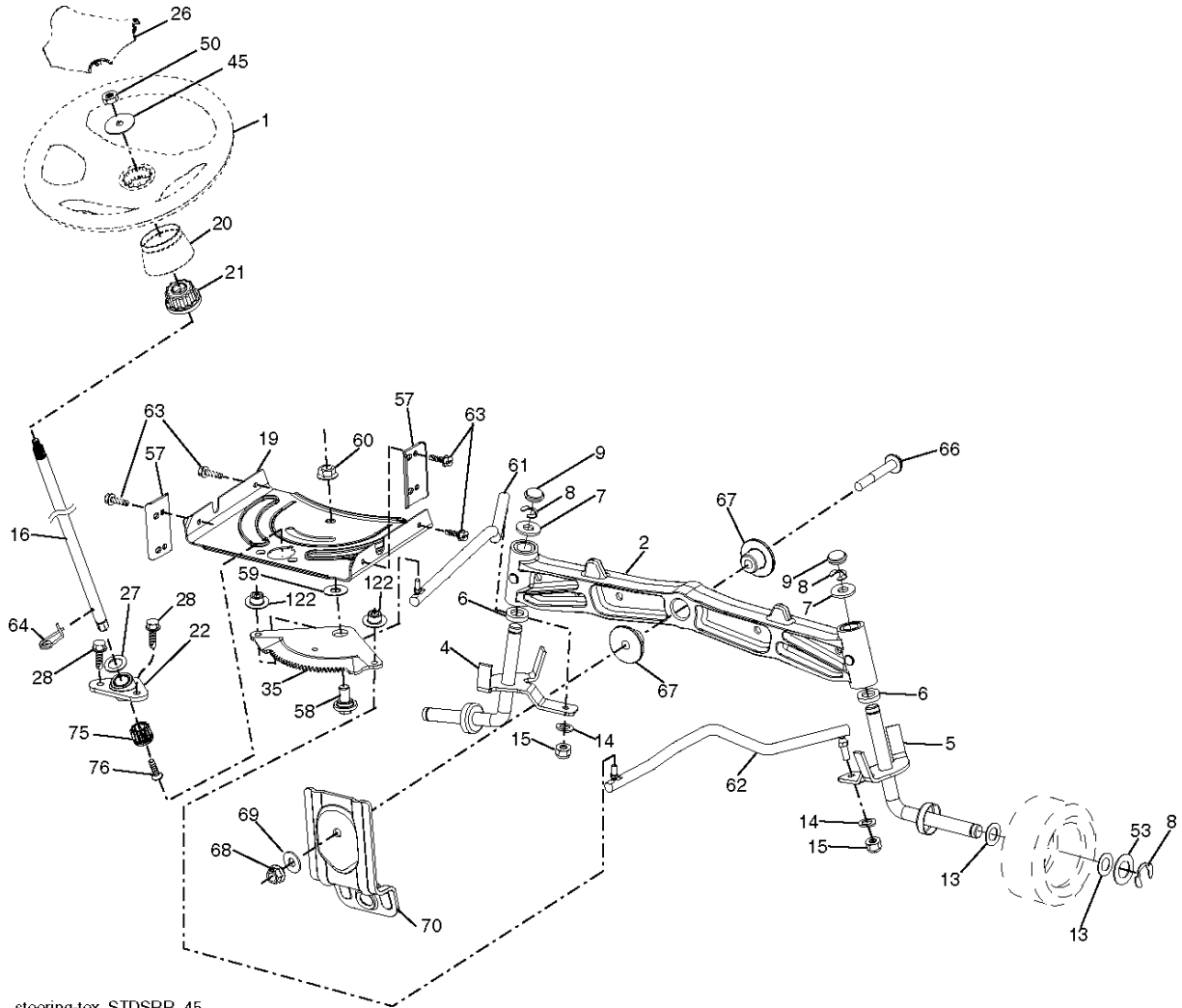
Ref	Part No	Description	Remark	QTY KIT
2	532 42 20-27	SHAFT	RH	1
3	532 19 52-31	LEVER	RH	1
7	580 96 23-01	GRIP		1
10	532 19 63-14	SPRING		1
87	532 19 42-09	SPRING		1
88	532 41 07-10	SPRING		1
89	819 19 19-12	WASHER		1
90	532 19 42-08	PIN		1
91	532 19 51-81	LINK		1
97	817 00 06-12	SCREW		1
98	532 19 52-70	LINK		1
100	873 93 06-00	NUT		1
101	532 40 70-03	LINK		1
116	819 15 15-16	WASHER		1



SEAT

YT42, 96043019600, 2014-10

Ref	Part No	Description	Remark	QTY KIT
1	532 40 66-25	SEAT		1
2	532 18 01-66	BRACKET		1
3	532 14 06-75	STRAP		1
6	873 80 06-00	NUT		1
7	587 61 33-01	SPRING		1
8	532 17 18-77	BOLT		1
10	532 19 69-77	PLATE		1
21	587 90 78-01	BOLT		1
37	873 80 05-00	LOCK NUT		1
40	532 19 76-61	HANDLE		1
41	532 19 82-00	SPRING		1
43	874 76 06-12	BOLT		1
44	819 13 38-12	WASHER		1

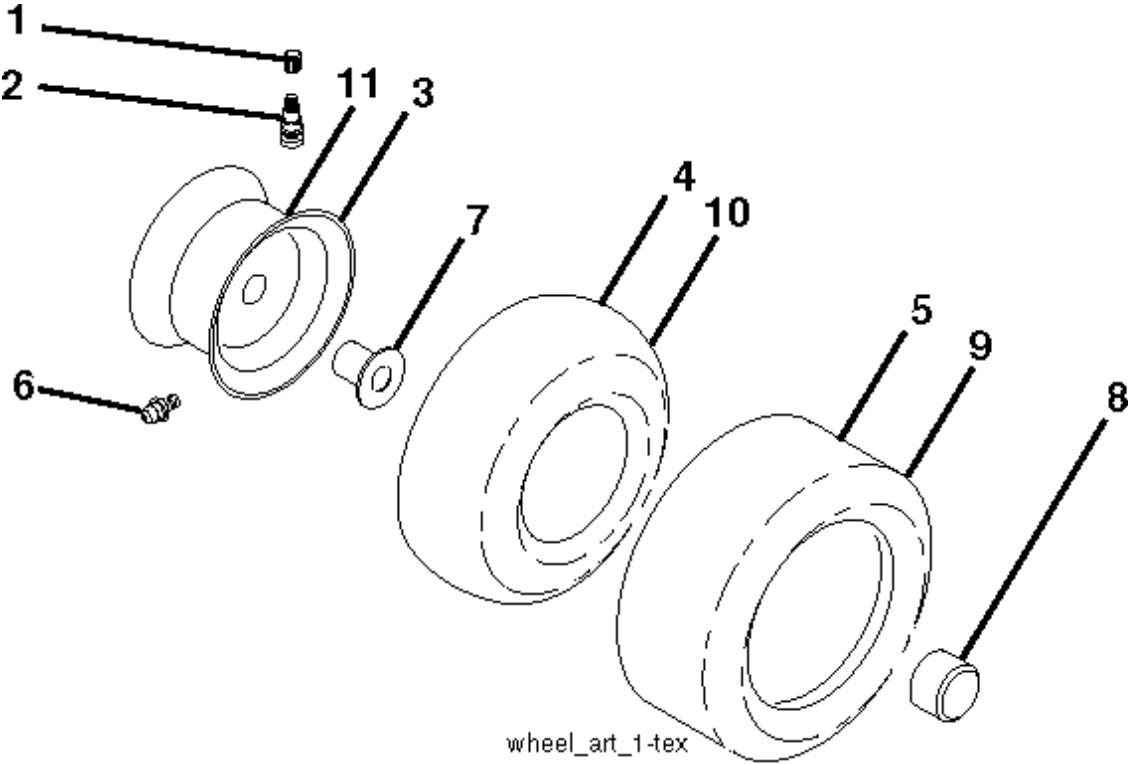


steering-tex_STDSRR_45

STEERING

YT42, 96043019600, 2014-10

Ref	Part No	Description	Remark	QTY KIT
1	532 42 41-46	STEERING WHEEL		1
2	532 19 59-68	SHAFT		1
4	532 40 30-87	SPINDLE	LH	1
5	532 40 30-88	SPINDLE	RH	1
6	532 12 49-31	WASHER		1
7	532 12 17-48	WASHER		1
8	812 00 00-29	RETAINER RING		1
9	532 12 12-32	HUB CAP		1
13	532 12 17-49	WASHER		1
14	810 04 06-00	WASHER		1
15	873 54 06-00	NUT		1
16	587 01 60-02	SHAFT		1
19	532 19 47-29	PLATE		1
20	532 42 47-40	BOOT		1
21	586 84 02-01	ADAPTER		1
22	585 02 98-02	BEARING		1
26	532 42 41-47	HUB CAP		1
27	819 21 16-16	WASHER		1
28	817 00 06-12	SCREW		1
35	532 19 47-32	PLATE		1
45	587 01 64-01	WASHER		1
50	873 90 06-00	NUT		1
53	532 18 89-67	WASHER		1
57	532 40 74-65	BRACKET		1
58	532 19 47-47	BOLT		1
59	532 19 47-48	WASHER		1
60	873 97 10-00	NUT		1
61	532 19 47-40	LINK	LH	1
62	532 19 47-41	LINK	RH	1
63	817 00 05-12	SCREW		1
64	532 19 98-49	SPRING RETAINER		1
66	871 02 07-48	BOLT		1
67	532 19 47-37	BUSHING		1
68	873 90 07-00	NUT		1
69	532 19 91-62	WASHER		1
70	585 33 88-01	BRACKET		1
75	580 68 37-01	PINION		1
76	580 68 36-01	SCREW		1
122	532 44 49-62	CAP		1



wheel_art_1-tex

WHEELS & TIRES

YT42, 96043019600, 2014-10

Ref	Part No	Description	Remark	QTY KIT
1	532 05 91-92	CAP VALVE		1
2	532 06 51-39	NIPPLE		1
3	532 13 83-36	RIM SPROCKET	Front 6"	1
4	532 05 99-04	HOSE	(Service Item Only)	1
5	532 10 62-22	TIRE	Front 15" x 6.0"-6"	1
6	532 12 49-57	FITTING	(Front Wheel Only)	1
7	532 12 49-59	BEARING	(Front Wheel Only)	1
8	532 17 50-39	HUB CAP		1
9	532 13 84-68	TIRE	Rear 20" x 8.0"-8"	1
10	532 12 49-26	HOSE	(Service Item Only)	1
11	532 13 83-37	RIM SPROCKET	Rear 8"	1
	532 14 43-34	SEALING FOAM		1