

REPAIR PARTS MANUAL
MODEL NO. YT48 (96043019800)
LAWN TRACTOR

Jonsered®

HOW TO USE THIS MANUAL

This manual is designed to provide the customer with a means to identify the parts on his/her tractor when ordering repair parts. The illustrations may or may not represent the actual assemblies; therefore, it is not recommended to use this manual as a guide to assemble or disassemble the tractor. Some hardware and parts are drawn larger in order to more readily identify them.

Each tractor has its own model number.

The model number for your tractor can be found on the fender under the seat.

When ordering parts, always give the following information:

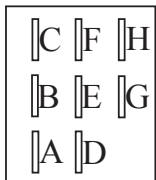
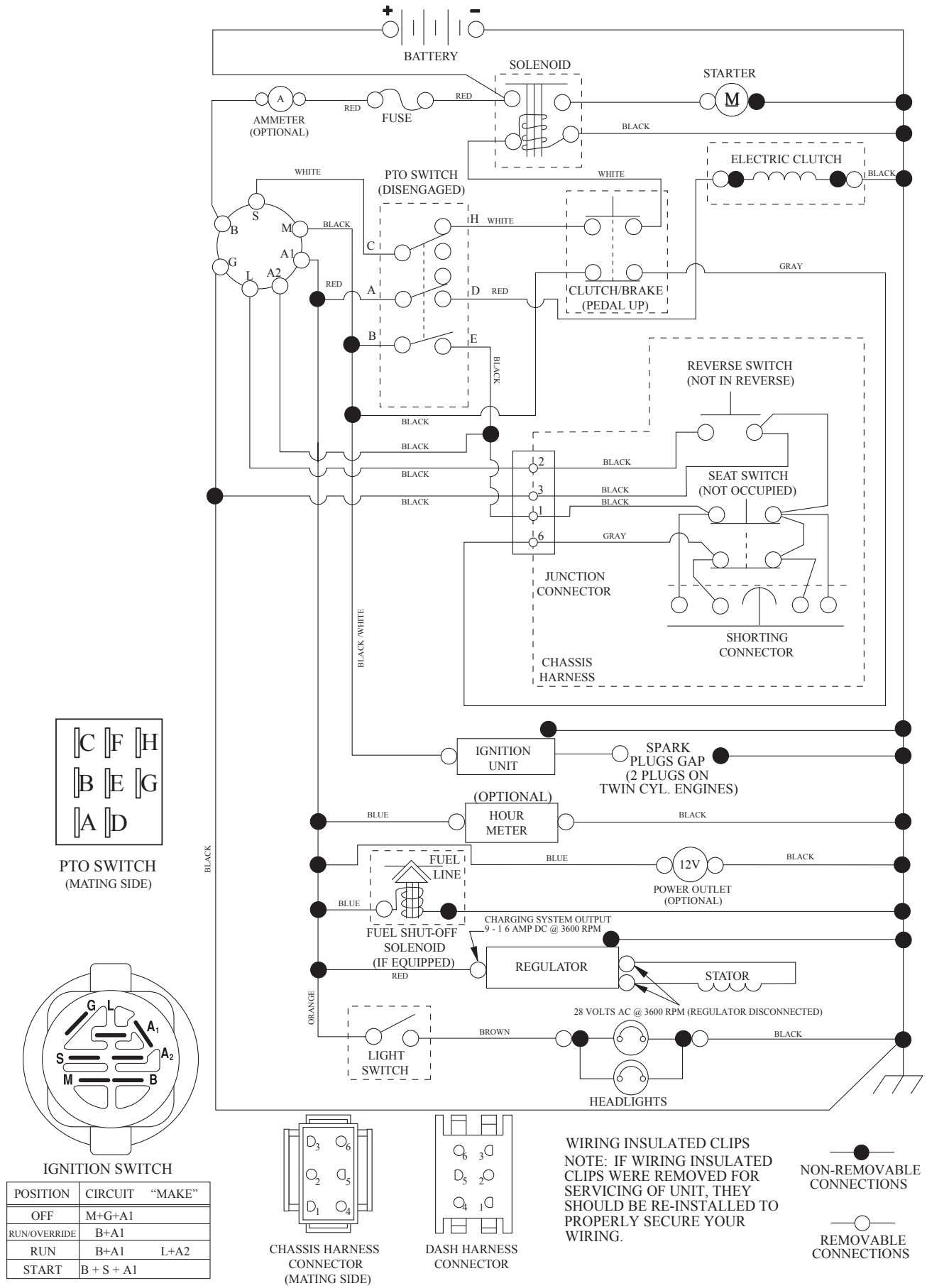
- Product - "Tractor"
- MODEL NUMBER - "YT48 (96043019800)"
- Part Number
- Part Description

TABLE OF CONTENTS

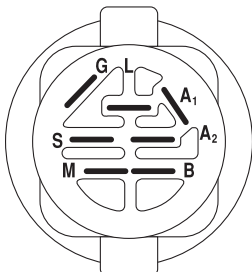
SCHEMATIC	3
ELECTRICAL.....	4-5
CHASSIS	6-7
DRIVE.....	8-9
ENGINE.....	10-11
STEERING	12-13
MOWER DECK	14-15
MOWER LIFT.....	16
SEAT	17
DECALS.....	18

TRACTOR - MODEL NO. YT48 (96043019800), PRODUCT NO. 960 43 01-98 SCHEMATIC

SCH12

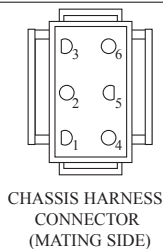


PTO SWITCH
(MATING SIDE)

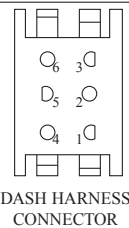


IGNITION SWITCH

POSITION	CIRCUIT	"MAKE"
OFF	M+G+A1	
RUN/OVERRIDE	B+A1	
RUN	B+A1	L+A2
START	B+S+A1	



CHASSIS HARNESS
CONNECTOR
(MATING SIDE)



DASH HARNESS
CONNECTOR

WIRING INSULATED CLIPS
NOTE: IF WIRING INSULATED
CLIPS WERE REMOVED FOR
SERVICING OF UNIT, THEY
SHOULD BE RE-INSTALLED TO
PROPERLY SECURE YOUR
WIRING.

●
NON-REMOVABLE
CONNECTIONS

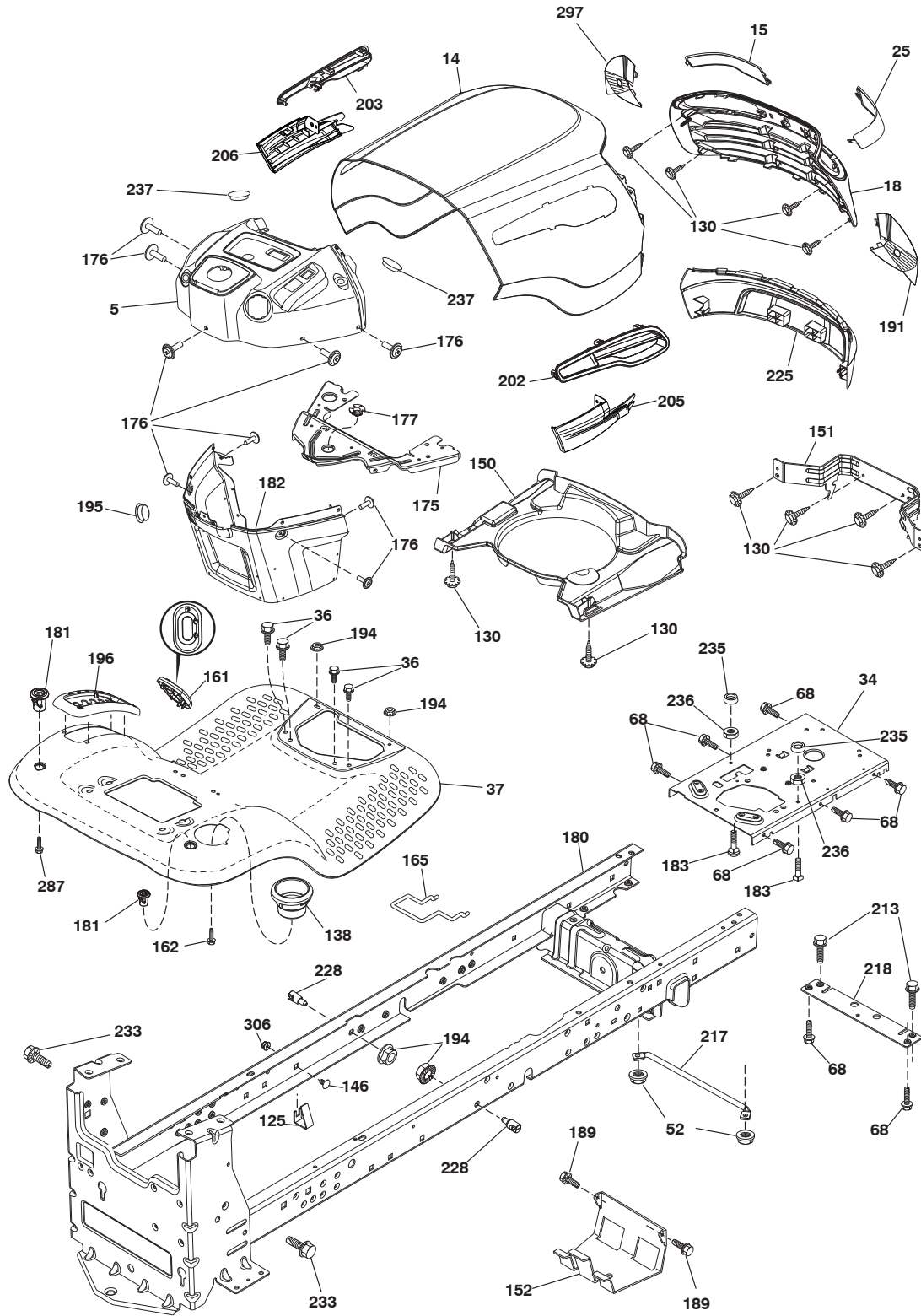
○
REMOVABLE
CONNECTIONS

**TRACTOR - MODEL NO. YT48 (96043019800), PRODUCT NO. 960 43 01-98
ELECTRICAL**

KEY PART NO.	PART NO.	DESCRIPTION
1	532 16 34-65	Battery
2	874 76 04-12	Bolt Hex Hd. 1/4-20 unc x 3/4
8	532 18 64-91	Box Battery
16	532 17 61-38	Switch Interlock Push-In
21	532 40 02-52	Harness Socket Light w/4152J
22	532 00 41-52	Bulb Light
24	585 55 56-01	Cable Front Battery
25	585 55 55-01	Cable Starter
26	532 17 51-58	Fuse
27	873 51 04-00	Nut Keps Hex 1/4-20 unc
28	532 41 65-88	Cable, Ground
29	532 40 15-45	Switch, Seat
30	532 19 33-50	Switch, Ign.
33	532 41 19-33	Key/Chain
34	532 11 07-12	Switch Light/Reset
40	532 40 11-04	Harness Ign. Dash
41	817 72 04-08	Screw THD CUT 1/4-20 x 1/2
42	532 13 15-63	Cover Terminal
43	532 19 25-07	Solenoid
46	586 16 18-01	Gauge Service Reminder
50	532 17 46-51	Switch PTO
55	817 06 05-12	Screw Thdrol. 5/16-18 x 3/4 TYTT
71	532 19 42-76	Harness Ign. Chassis
79	532 17 52-42	Bulbholder Asm. Incandescent
90	532 43 53-95	Cover Terminal Battery
91	532 19 02-70	Strap Battery
99	817 67 04-12	Screw
100	819 09 14-16	Washer 9/32 x 7/8 x 16 Ga.
102	532 40 44-54	Harness Pigtail
105	532 40 75-68	Switch Reverse

NOTE: All component dimensions given in U.S. inches
1 inch = 25.4 mm

**TRACTOR - MODEL NO. YT48 (96043019800), PRODUCT NO. 960 43 01-98
CHASSIS**



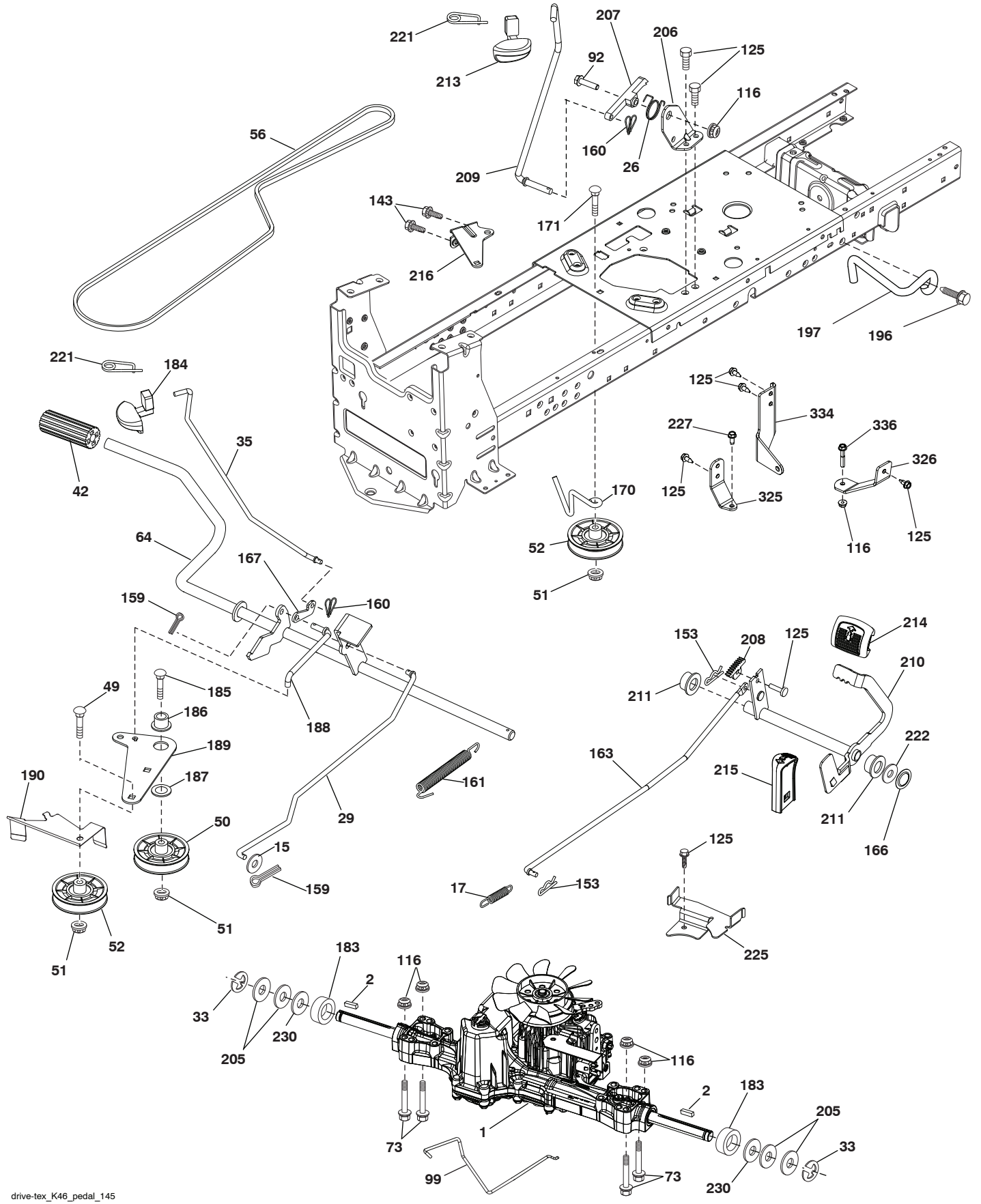
chassis-tex_PRED II YT_30

**TRACTOR - MODEL NO. YT48 (96043019800), PRODUCT NO. 960 43 01-98
CHASSIS**

KEY NO.	PART NO.	DESCRIPTION	KEY NO.	PART NO.	DESCRIPTION
5	532 42 47-38	Dash	183	874 52 05-20	Bolt 5/16-18 x 1-1/4
14	587 89 98-01	Hood	189	817 00 05-12	Screw 5/16-18 x 3/4
15	587 89 86-01	Lens LH	191	532 42 54-07	Insert Reflective RH
18	587 78 54-01	Grille	194	873 90 05-00	Nut Lock Hex Flange 5/16-18
25	587 89 84-01	Lens RH	195	532 40 41-37	Plug Hole Dash Lower
34	580 91 08-01	Plate Engine	196	532 41 45-79	Console Asm. Deck Lift
36	817 06 05-12	Screw 5/16-18 x 3/4	202	587 78 52-01	Vent Side Hood RH
37	586 39 41-01	Fender	203	587 78 51-01	Vent Side Hood LH
52	873 68 05-00	Nut Lock 5/16-18	205	587 77 74-01	Trim Hood Side RH
68	817 49 05-08	Screw Thdrol 5/16-18 x 1/2	206	587 77 75-01	Trim Hood Side LH
125	581 68 48-01	Clip Fuel Line	213	874 76 05-12	Bolt 5/16-18 x 3/4
130	532 41 63-58	Screw #10 x 0.750	217	532 40 91-67	Rod Pivot
138	532 40 97-30	Cupholder	218	532 19 63-95	X-Piece Hood Stop
146	581 85 79-01	Bolt	225	587 89 81-01	Bumper
150	584 86 29-01	Air Duct	228	532 19 51-61	Stud Fastner
151	532 44 54-94	Bracket Pivot	233	532 19 65-39	Bolt Shoulder
152	532 19 95-35	Shield Browning	235	532 40 61-29	Spacer Fender
161	532 41 20-72	Window Fuel	236	873 93 05-00	Nut Lock 5/16-18 unc
162	532 14 24-32	Screw	237	532 40 37-04	Plug Mount Cargo
165	532 19 68-26	Rear Tank Support	287	817 60 04-06	Screw 1/4-20 x 3/8
175	532 19 63-04	Crossmember	297	532 42 54-06	Insert Reflective LH
176	532 40 07-76	Screw 10-24 x 5/8	306	873 90 06-00	Nut Lock
177	532 19 52-27	Bushing Steering			
180	532 19 54-57	Chassis			
181	532 43 97-46	Bushing Mtg. Fender Crgo			
182	532 40 68-59	Dash Lower			

NOTE: All component dimensions given in U.S. inches
1 inch = 25.4 mm

**TRACTOR - MODEL NO. YT48 (96043019800), PRODUCT NO. 960 43 01-98
DRIVE**



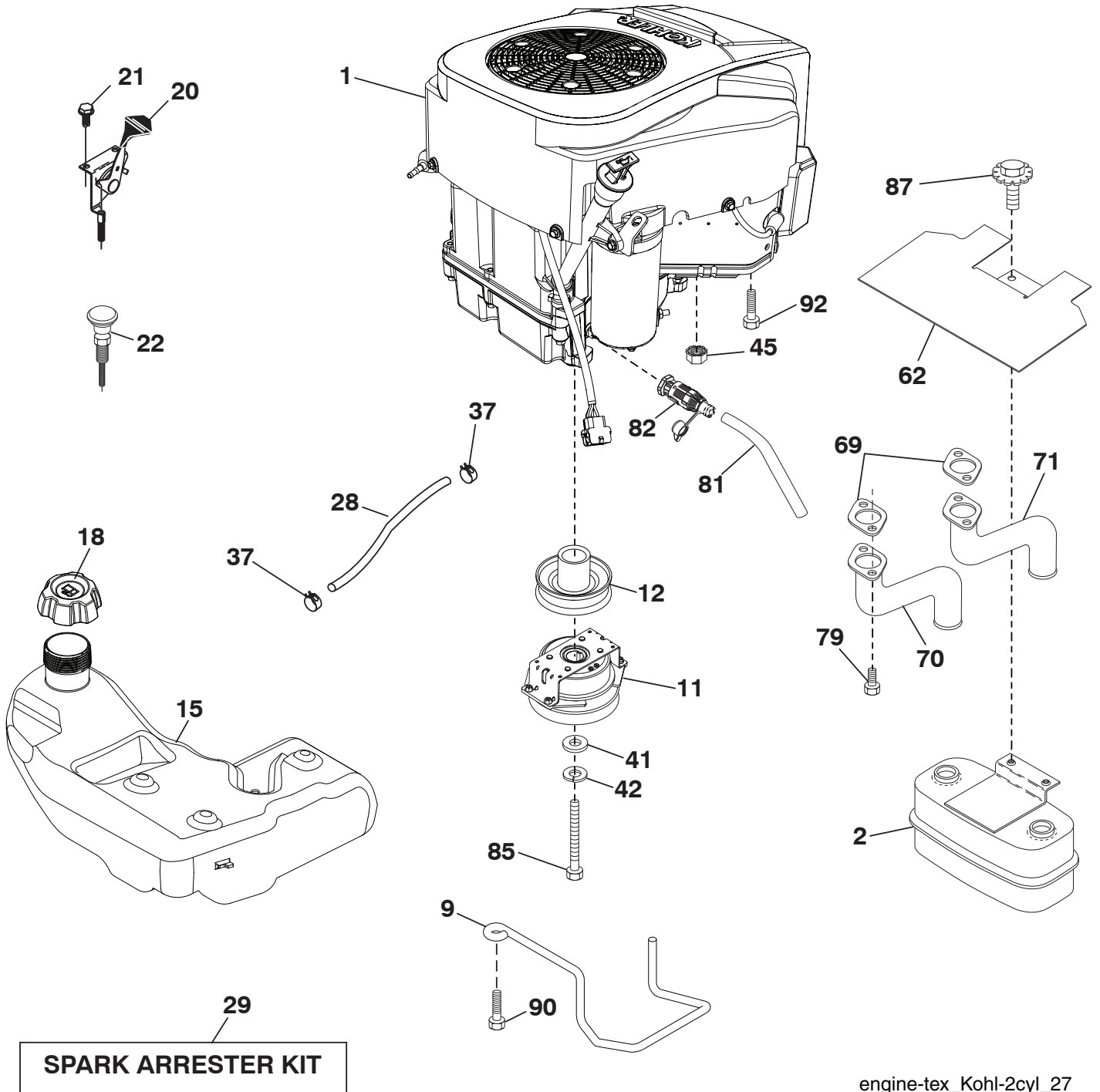
drive-tex_K46_pedal_145

**TRACTOR - MODEL NO. YT48 (96043019800), PRODUCT NO. 960 43 01-98
DRIVE**

KEY NO.	PART NO.	DESCRIPTION	KEY NO.	PART NO.	DESCRIPTION
1	---	Transaxle, Tufftorq K46BT (426120) (Order parts from transaxle manufacturer)	185	872 11 06-22	Bolt
2	532 12 35-83	Key Square	186	532 19 43-21	Spacer Retainer
15	819 13 13-16	Washer 13/32 x 13/16 x 16 Ga.	187	819 13 32-10	Washer
17	532 41 36-78	Spring, Brake	188	532 19 43-23	Link Clutch Ground Drive
26	532 19 96-79	Spring Return Cruise	189	532 19 43-17	Bellcrank Ground Drive
29	532 40 38-06	Rod, Brake	190	532 19 43-18	Keeper Bellcrank Ground Drive
33	812 00 00-01	Ring E	196	817 00 06-16	Screw 3/8-16 x 1
35	583 86 45-01	Rod, Brake, Park	197	585 65 86-01	Link Clutch Anti-Rotation
42	532 12 48-72	Cover, Foot Pedal	205	532 12 17-48	Washer 25/32 x 1-5/8 x 16 Ga.
49	872 11 06-14	Bolt	206	532 44 85-96	Bracket Mount Latch Cruise
50	532 19 43-27	Pulley Idler Flat	207	532 19 78-68	Latch Control Cruise
51	873 90 06-00	Lock Nut 3/8-16	208	532 19 78-69	Gear Sector Control Cruise
52	532 19 43-26	Idler V-Groove	209	532 19 95-92	Rod Control Cruise
56	532 13 09-69	V-Belt, Drive	210	532 40 09-80	Rocker Asm. Pedal Control
64	532 19 78-65	Shaft Asm. Pedal Brake Control	211	532 12 01-83	Bearing Nylon
73	874 49 05-40	Bolt Hex 5/16-18 x 2 1/2 G.5	213	532 40 31-19	Knob Control Cruise
92	874 76 05-20	Bolt Fin Hex 5/16-18 unc x 1.25	214	532 42 12-63	Pedal Forward
99	532 41 57-42	Rod Spring Bypass	215	532 40 17-23	Pedal Reverse
116	873 90 05-00	Nut Lock Hex Flange 5/16-18	216	532 19 61-31	Bracket Pulley Idler
125	817 00 05-12	Screw 5/16-18 x 3/4	221	532 40 31-87	Retainer Spring Clip Handle
143	817 49 05-08	Screw 5/16-18 x 1/2	222	879 21 20-10	Washer 21/32 x 1-1/4 10 Ga.
153	532 12 47-88	Retainer Spring 1"	225	532 40 33-19	Keeper Belt Transaxle
159	876 02 04-12	Pin Cotter 1/8 x 3/4	227	817 49 05-12	Screw 5/16-18 x 3/4
160	532 16 94-84	Retainer Clip	230	532 18 89-67	Washer .793 x 1.637 x 060
161	532 10 57-09	Spring, Return, Clutch	325	585 66 85-02	Torque Strap K46 LT RH
163	532 44 82-75	Rod Control	326	585 67 08-02	Bracket TRQ STP 46 20" Tire RH
166	532 42 91-64	Nut Push	334	585 88 22-02	Sway Rod Bracket
167	532 40 52-57	Latch Brake Parking	336	587 25 96-01	Bolt 5/16 - 18 x 1-3/4 Flanged
170	532 19 43-22	Keeper V-Idler			
171	872 11 06-16	Bolt 3/8-16 unc x 2			
183	532 13 70-57	Spacer Axle			
184	587 65 37-01	Handle Parking Brake			

NOTE: All component dimensions given in U.S. inches
1 inch = 25.4 mm

TRACTOR - MODEL NO. YT48 (96043019800), PRODUCT NO. 960 43 01-98
ENGINE



engine-tex_Kohl-2cyl_27

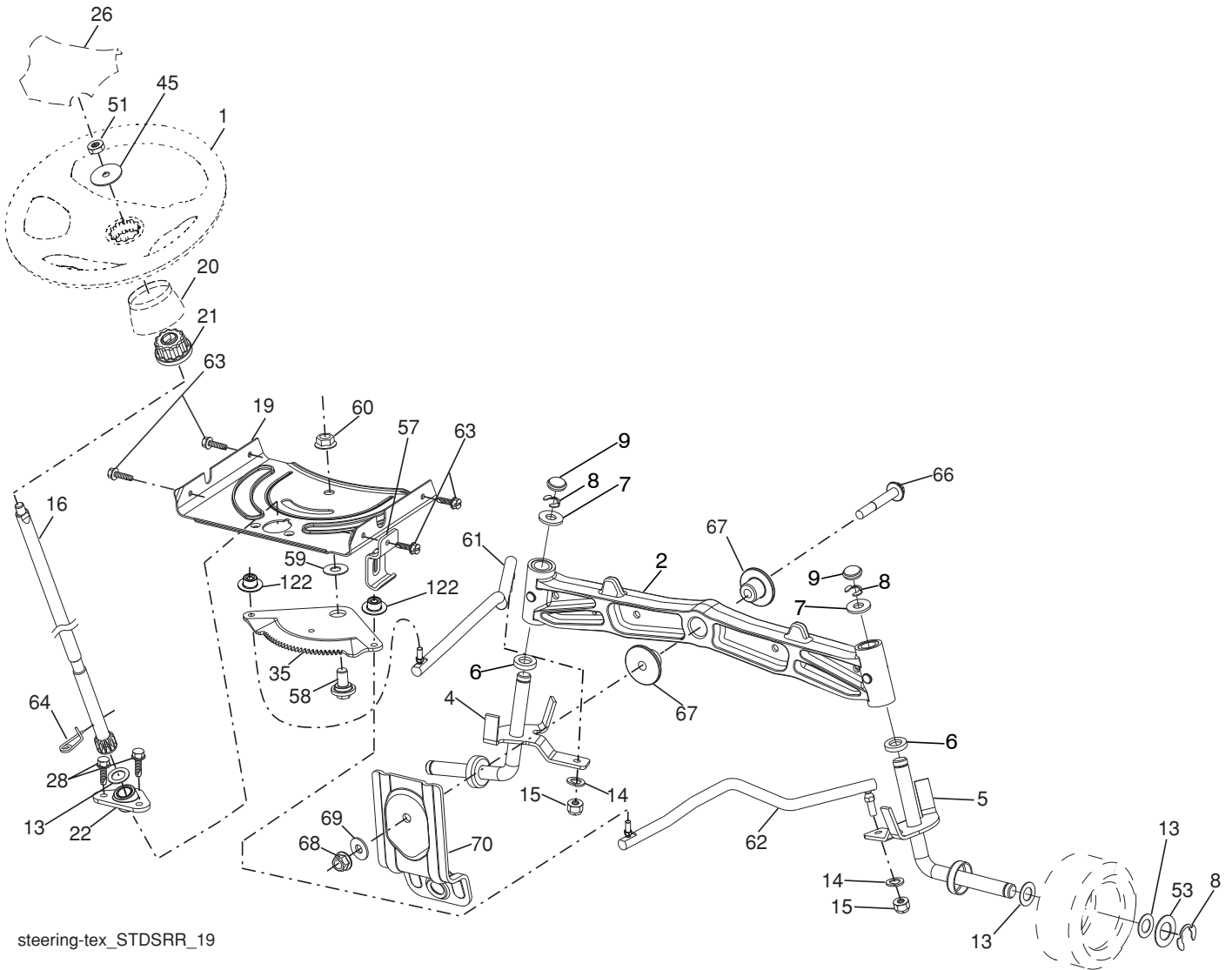
**TRACTOR - MODEL NO. YT48 (96043019800), PRODUCT NO. 960 43 01-98
ENGINE**

KEY NO.	PART NO.	DESCRIPTION
1	-----	Engine Kohler Model No. KT725-3014 (585452901) (Order parts from engine manufacturer.)
2	532 14 97-23	Muffler
9	584 90 80-01	Keeper Belt Engine
11	587 24 16-01	Clutch Electric
12	532 40 50-97	Pulley Engine
15	532 43 80-80	Tank Fuel
18	585 12 48-02	Cap Fuel
20	532 18 29-37	Control Throttle
21	532 41 63-58	Screw # 10 x 0.750
22	532 19 15-96	Control Choke
28	532 40 11-35	Fuel Line
29	532 13 71-80	Spark Arrester Kit
37	532 12 34-87	Clamp Hose
41	532 12 61-97	Washer 1-1/2 OD x 15/32 ID x .250
42	810 04 07-00	Washer Lock 7/16
45	873 51 04-00	Nut Keps Hex 1/4-20 unc
62	532 43 40-17	Shield Heat
69	532 18 60-54	Gasket
70	583 95 45-01	Exhaust Tube LH
71	583 95 48-01	Exhaust tube RH
79	532 19 23-34	Screw Socket Hd. 5/16-18 x .75
81	532 14 84-56	Tube Drain Oil Easy
82	532 42 82-87	Valve Oil Drain
85	532 17 99-53	Bolt 7/16-20 x 3.75 Gr.
87	537 17 18-77	Bolt 5/16-18 unc x 3/4 w/Sems
90	817 00 06-16	Screw 3/8-16 x 1
92	817 12 06-16	Screw 3/8-16 x 1

NOTE: All component dimensions given in U.S. inches
1 inch = 25.4 mm

For engine service and replacement parts, call the toll free
number for your engine manufacturer listed below:
Kohler Co. 1-800-544-2444

TRACTOR - MODEL NO. YT48 (96043019800), PRODUCT NO. 960 43 01-98
STEERING ASSEMBLY



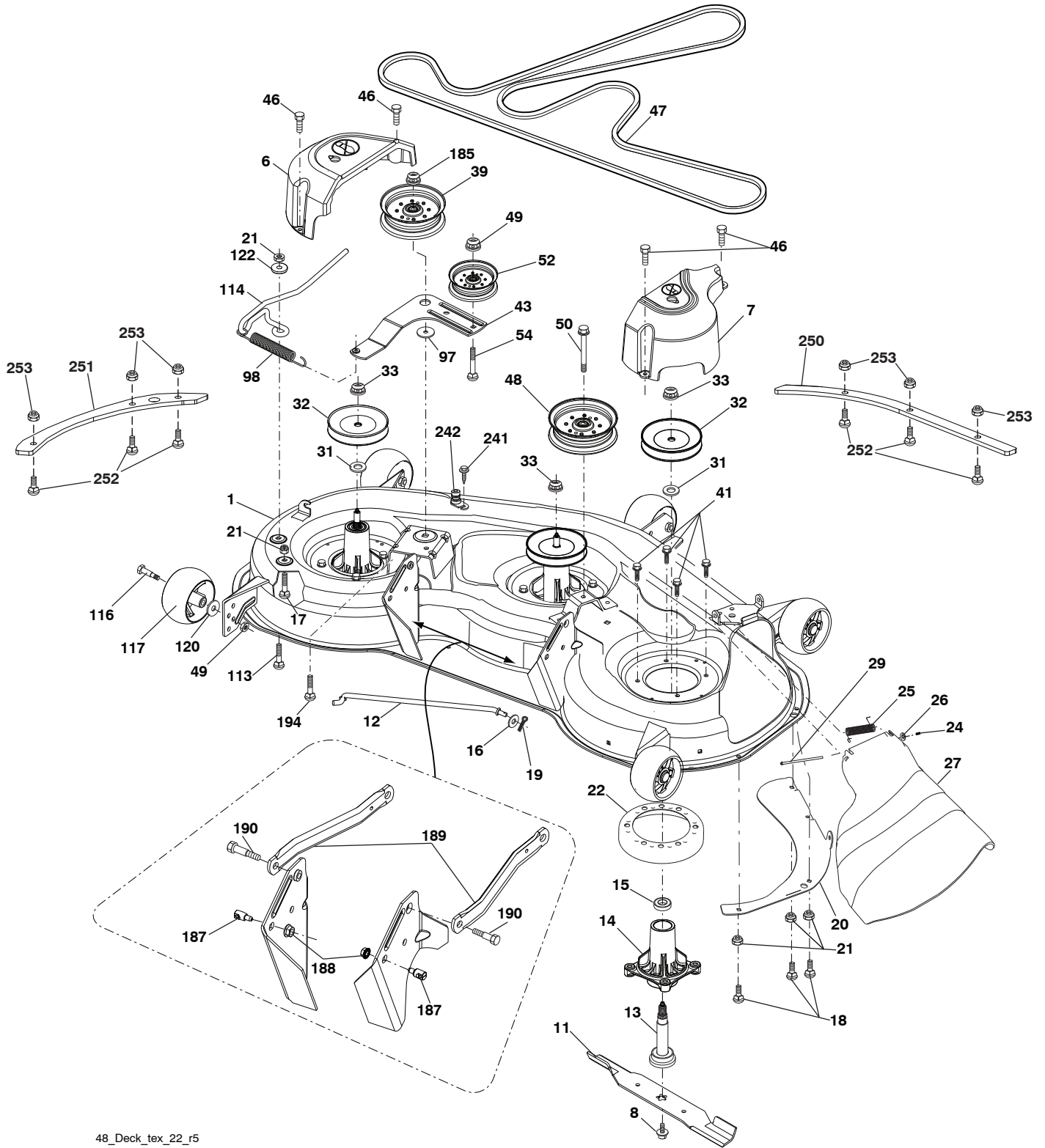
steering-tex_STDSRR_19

**TRACTOR - MODEL NO. YT48 (96043019800), PRODUCT NO. 960 43 01-98
STEERING ASSEMBLY**

KEY NO.	PART NO.	DESCRIPTION
1	532 42 41-46	Wheel, Steering
2	532 19 59-68	Axle Cast Iron
4	532 40 30-87	Spindle Asm., LH
5	532 40 30-88	Spindle Asm., RH
6	532 12 49-31	Washer, Thrust
7	532 12 17-48	Washer 25/32 x 1-5/8 x 16 Ga.
8	812 00 00-29	Ring, Klip #T5304-75
9	532 12 12-32	Cap, Spindle
13	532 12 17-49	Washer 25/32 x 1-1/4 x 16 Ga.
14	810 04 06-00	Washer, Lock Hvy Hlcl Spr 3/8
15	873 54 06-00	Nut, Crown Lock 3/8-24 unf
16	532 40 82-19	Shaft Steering
19	532 19 47-29	Plate Steering
20	532 42 47-40	Boot Steering
21	532 18 67-37	Adapter, Wheel Steering
22	532 42 05-37	Steering Support
26	532 42 41-47	Insert, Wheel Steering
28	817 00 06-12	Screw 3/8-16 x 3/4
35	532 19 47-32	Gear, Sector Plate
45	819 18 38-12	Washer 9/16 ID x 2-3/8 OD 12 Ga.
51	873 94 08-00	Nut Hex Jam Toplock 1/2-20 unf
53	532 18 89-67	Washer Hardened .793 x 1.637 x .060
57	532 19 72-46	Bracket Upstop
58	532 19 47-47	Bolt Shoulder Sector Pivot CFM
59	532 19 47-48	Washer Thrust Sector Steering
60	873 97 10-00	Nut Flange Lock 5/8-11
61	532 19 47-40	Draglink, LH
62	532 19 47-41	Draglink, RH
63	817 00 05-12	Screw 5/16-18 x 3/4
64	532 19 98-49	Retainer Clip Spring Steering
66	871 02 07-48	Bolt Hex Fghd 7/16-14 x 3 Serr
67	532 19 47-37	Bushing PM Front Axle
68	873 90 07-00	Nut Lock Flange 7/16-14 Gr. 5
69	532 19 91-62	Washer 1.5 x .505 x .118
70	585 33 88-01	Bracket Deck Susp. Front
122	532 44 49-62	Cap Gear

NOTE: All component dimensions given in U.S. inches
1 inch = 25.4 mm

**TRACTOR - MODEL NO. YT48 (96043019800), PRODUCT NO. 960 43 01-98
MOWER DECK**



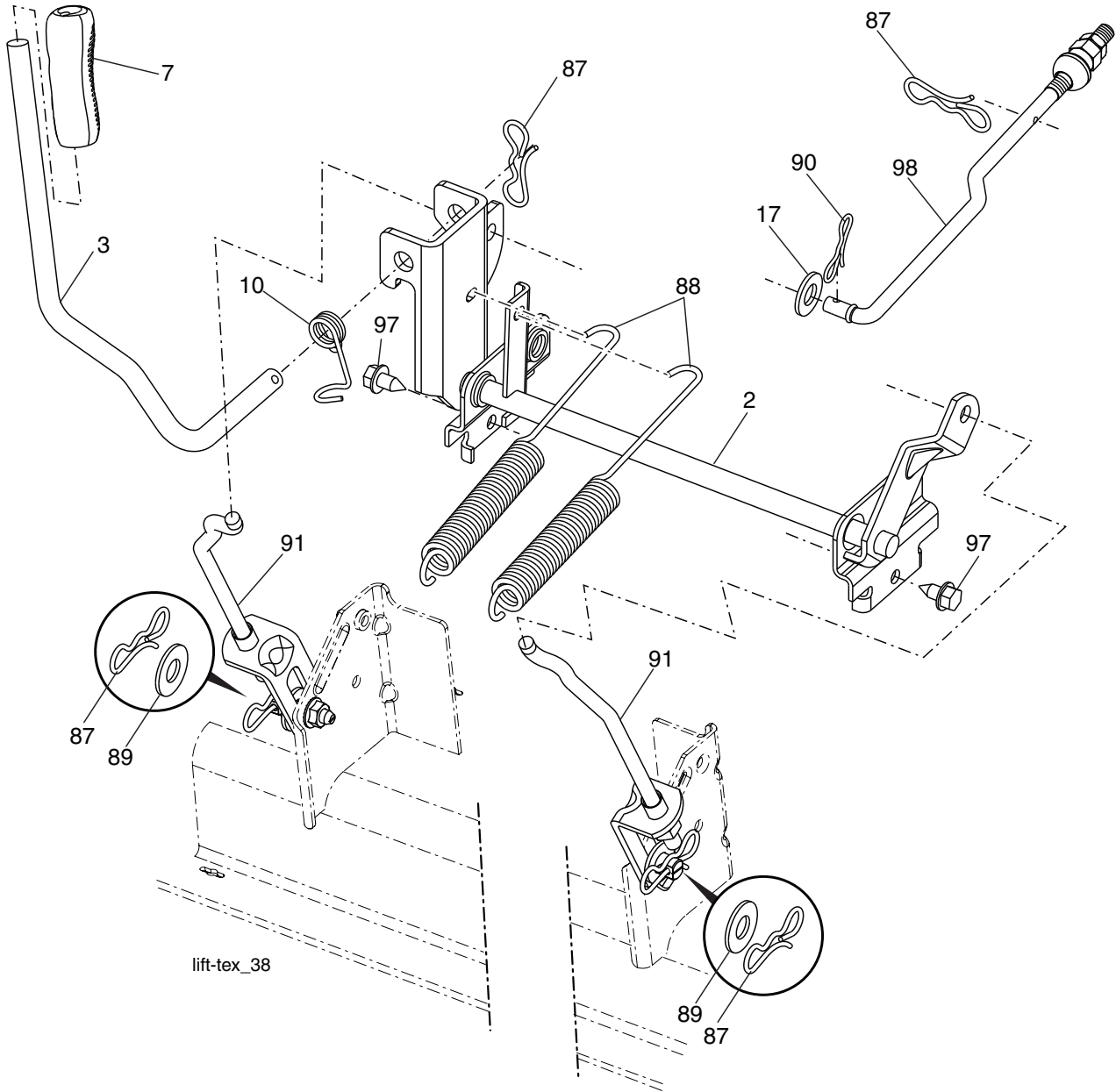
48_Deck_tex_22_r5

**TRACTOR - MODEL NO. YT48 (96043019800), PRODUCT NO. 960 43 01-98
MOWER DECK**

KEY NO.	PART NO.	DESCRIPTION	KEY NO.	PART NO.	DESCRIPTION
1	587 93 93-01	Deck Weldment Mower	52	532 19 31-97	Pulley Idler 48" Primary
6	532 19 72-48	Cover Mandrel LH	54	872 11 06-12	Bolt Carr. Sh 3/8-16 x 1-1/2 Gr. 5
7	587 45 24-01	Cover Mandrel RH	97	532 17 85-15	Washer Hardened
8	532 19 30-03	Bolt 7/16 Asm. Blade	98	532 19 61-05	Spring Drive
11	532 18 00-54	Blade High Lift	113	872 11 05-08	Bolt Rdhd Sqnk 5/16-18 x 3/4
12	532 40 48-51	Rod Anti-Sway	114	532 19 74-51	Rod Tension Relief
13	532 18 72-91	Shaft Asm. w/Lower Bearing	116	532 19 34-06	Bolt, Shoulder
14	532 18 72-81	Housing, Mandrel	117	532 17 48-73	Gauge Wheel
15	532 11 04-85	Bearing, Ball, Mandrel	120	819 13 20-12	Washer 13/32 x 1-1/4 x 12 Ga.
16	819 13 13-12	Washer 13/32 x 13/16 x 12 Ga.	122	532 18 75-57	Bushing Tension Relief
17	872 11 05-05	Bolt 5/16-18 x 5/8	185	873 90 07-00	Nut Lock Flange 7/16-14 Gr. 5
18	872 14 05-05	Bolt RdHd 5/16-18 unc x 5/8	187	532 19 51-61	Stud Fastener w/"D" Anti-Rotation
19	532 19 42-08	Pin Cotter 5/16 Bow Tie Lock	188	873 90 05-00	Nut Lock Hex Flange
20	532 17 43-78	Baffle Vortex	189	532 19 51-85	Arm Susp. Mower Rear
21	873 68 05-00	Nut, Crownlock 5/16-18 unc	190	532 19 65-39	Bolt Shoulder
22	532 17 44-93	Stripper Mandrel	194	874 49 07-36	Bolt Hex Washer Head
24	532 10 53-04	Cap Sleeve	241	532 15 29-27	Screw TT #10-32.5 3/8 Flange
25	532 17 81-02	Spring, Torsion	242	532 41 55-98	Port, Washout
26	532 11 04-52	Nut, Push	250	585 31 80-05	Plate Reinforcement Front
27	532 18 17-07	Deflector Shield	251	585 32 24-05	Plate Reinforcement Side Bolt
29	532 13 14-91	Rod, Hinge	252	539 10 98-00	Carriage Bolt 1/4-20 x 1 Gr. 5
31	532 18 76-90	Washer, Spacer Mower Vented	253	873 90 04-00	Nut Hex Flg. 1/4-20 unc
32	532 15 35-32	Pulley, Mandrel	--	532 18 72-92	Mandrel Assembly (Includes housing (key# 14), shaft assembly (key# 13), and bearing (key# 15) only - pulley/nut/washer and blade bolt/washers not included)
33	532 40 02-34	Nut, Flg. Top Lock	--	587 92 72-01	Replacement Mower,Complete
39	532 19 73-80	Pulley, Idler, 4.50 Hub			
41	584 95 39-01	Bolt Hex Wsh Hd .313-18 x 1.19			
43	532 19 60-65	Arm, Idler			
46	532 13 77-29	Screw, Thdroll. 1/4-20 x 5/8			
47	532 19 72-42	Belt Deck Drive			
48	532 19 73-79	Pulley Idler 4.50 RAW			
49	873 90 06-00	Nut, Lock Flg. 3/8-16 unc			
50	817 49 06-36	Screw TT 3/8-16 x 2-1/4			

NOTE: All component dimensions given in U.S. inches
1 inch = 25.4 mm

**TRACTOR - MODEL NO. YT48 (96043019800), PRODUCT NO. 960 43 01-98
MOWER LIFT**

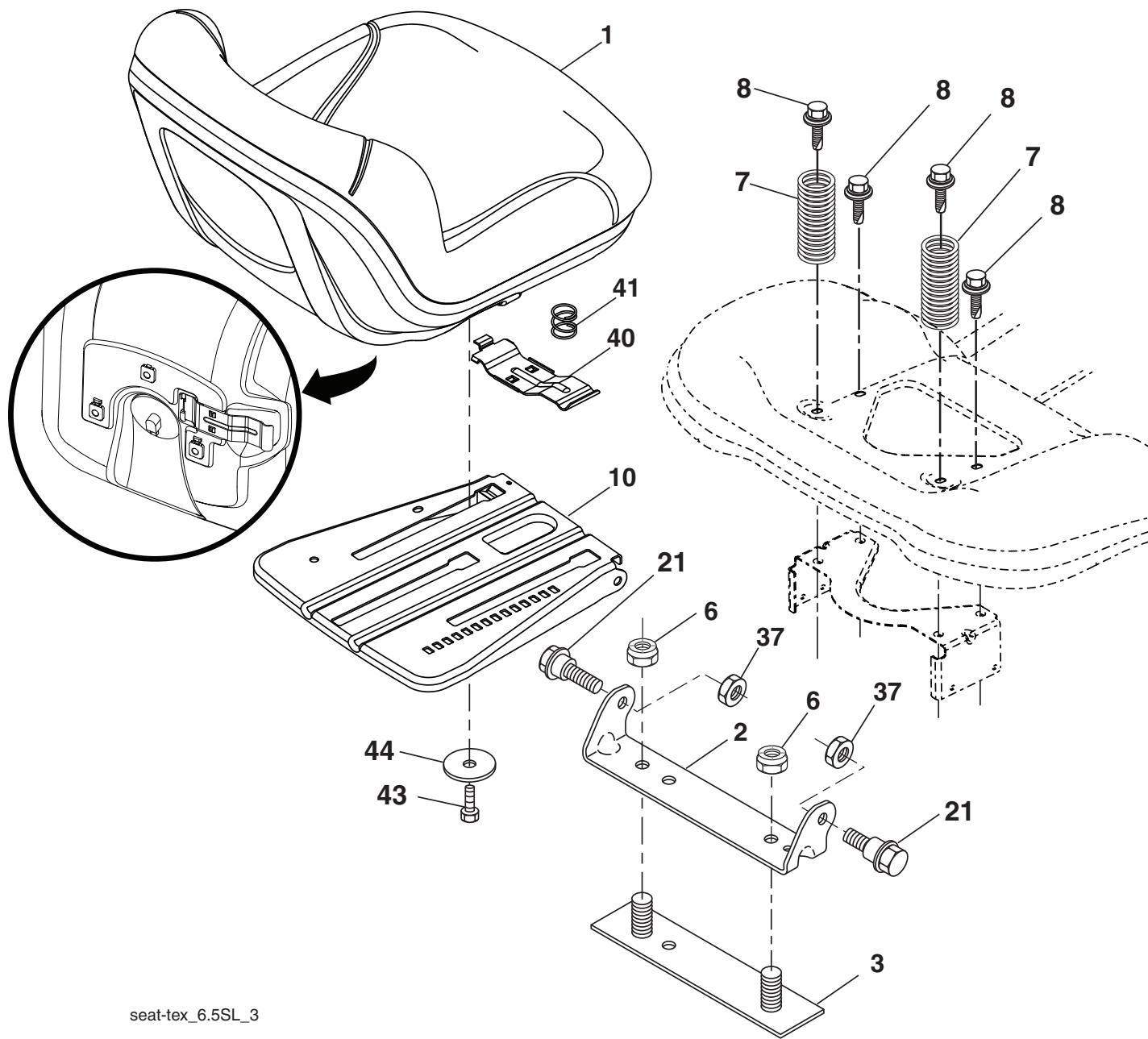


KEY NO.	PART NO.	DESCRIPTION
2	532 42 20-27	Shaft Asm., Lift
3	532 19 52-31	Lever Asm., Lift RH
7	580 96 23-01	Grip, Lever
10	532 19 63-14	Spring Torsion
17	819 13 13-12	Washer 13/32 x 13/16 x 12 Ga.
87	532 19 42-09	Pin Cotter 7/16 Bow Tie Lock
88	532 41 07-10	Spring Lift Assist
89	819 19 19-12	Washer Clear Zinc
90	532 19 42-08	Pin Cotter 5/16 Bow Tie Lock

KEY NO.	PART NO.	DESCRIPTION
91	532 19 51-81	Link Lift Susp Mower Rear
97	817 00 06-12	Screw 3/8-16 x .75 Smgml Tap/R.Z
98	532 19 52-64	Link Lift Susp. Front Mower

NOTE: All component dimensions given in U.S. inches
1 inch = 25.4 mm

**TRACTOR - MODEL NO. YT48 (96043019800), PRODUCT NO. 960 43 01-98
SEAT ASSEMBLY**



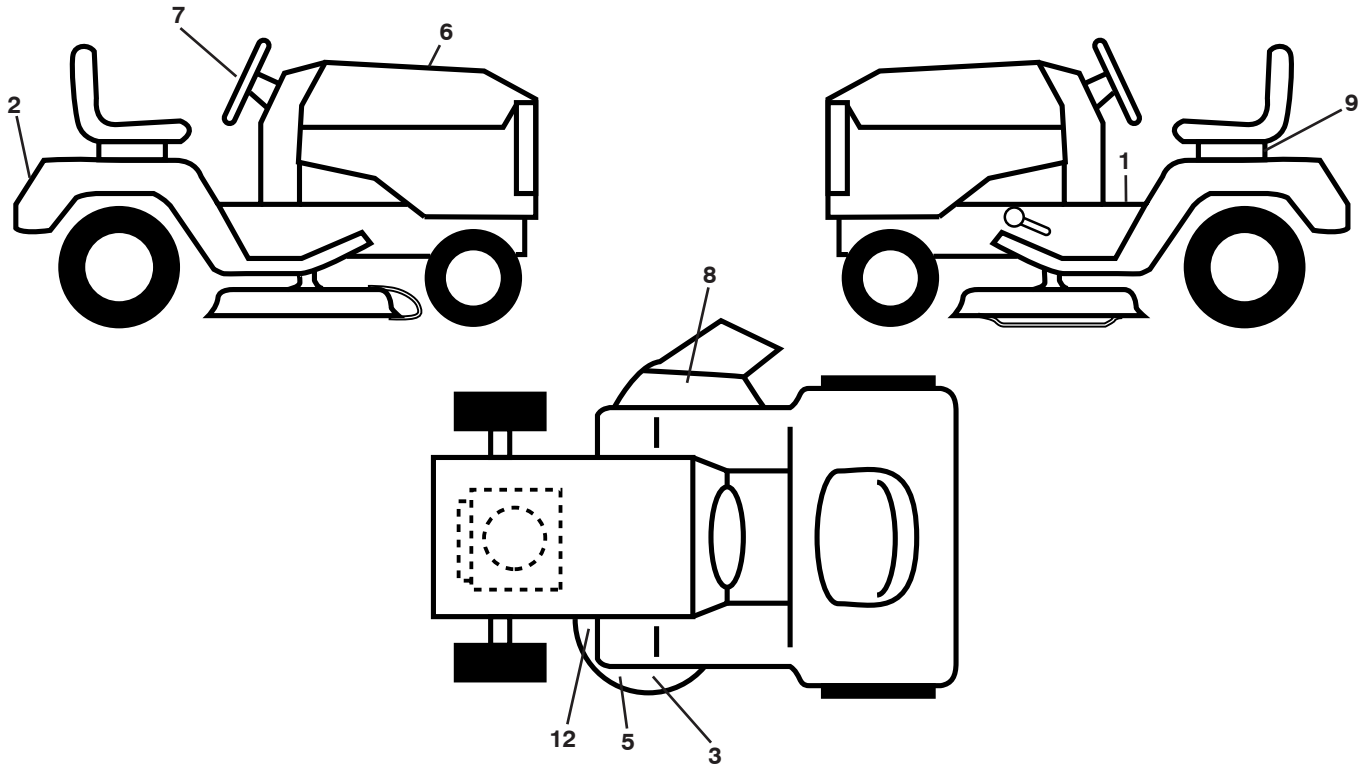
seat-tex_6.5SL_3

KEY NO.	PART NO.	DESCRIPTION
1	532 40 66-25	Seat
2	532 18 01-66	Bracket Pivot Fender
3	532 14 06-75	Strap, Asm Fender
6	873 80 06-00	Nut, Lock w/Ins. 3/8-16 unc
7	532 12 41-81	Spring, Seat Cprsn
8	532 17 18-77	Bolt 5/16-18 unc x 3/4 w/Sems
10	532 19 69-77	Pan, Seat
21	532 17 18-52	Bolt, Shoulder 5/16-18
37	873 80 05-00	Nut, Lock 5/16-18 unc

KEY NO.	PART NO.	DESCRIPTION
40	532 19 76-61	Handle Slide Seat
41	532 19 82-00	Spring Latch Seat
43	874 76 06-12	Bolt Fin Hex 3/8-16 unc x 3/4
44	819 13 38-12	Washer 13/32 x 2-3/8 x 12 Ga.

NOTE: All component dimensions given in U.S. inches
1 inch = 25.4 mm

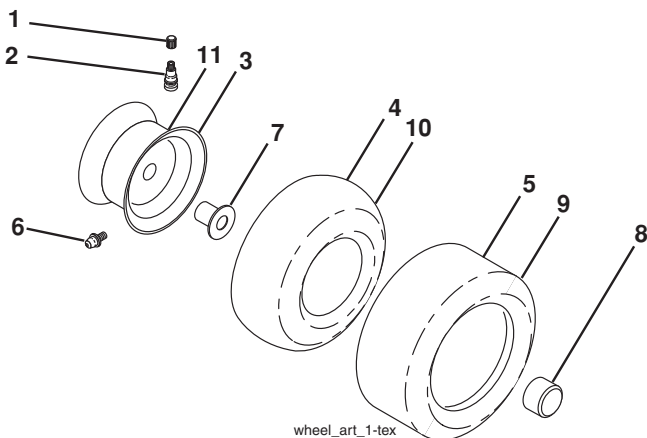
**TRACTOR - MODEL NO. YT48 (96043019800), PRODUCT NO. 960 43 01-98
DECALS**



KEY NO.	PART NO.	DESCRIPTION
1	581 57 89-01	Decal, Fender Warning
2	587 67 54-01	Decal, Fender
3	587 56 08-01	Decal, Deck
5	581 72 45-02	Decal, Mower Caution
6	587 64 06-01	Decal, Replacement
7	587 73 15-01	Decal, Steering Wheel
8	584 90 46-01	Decal, Deflect. Warning

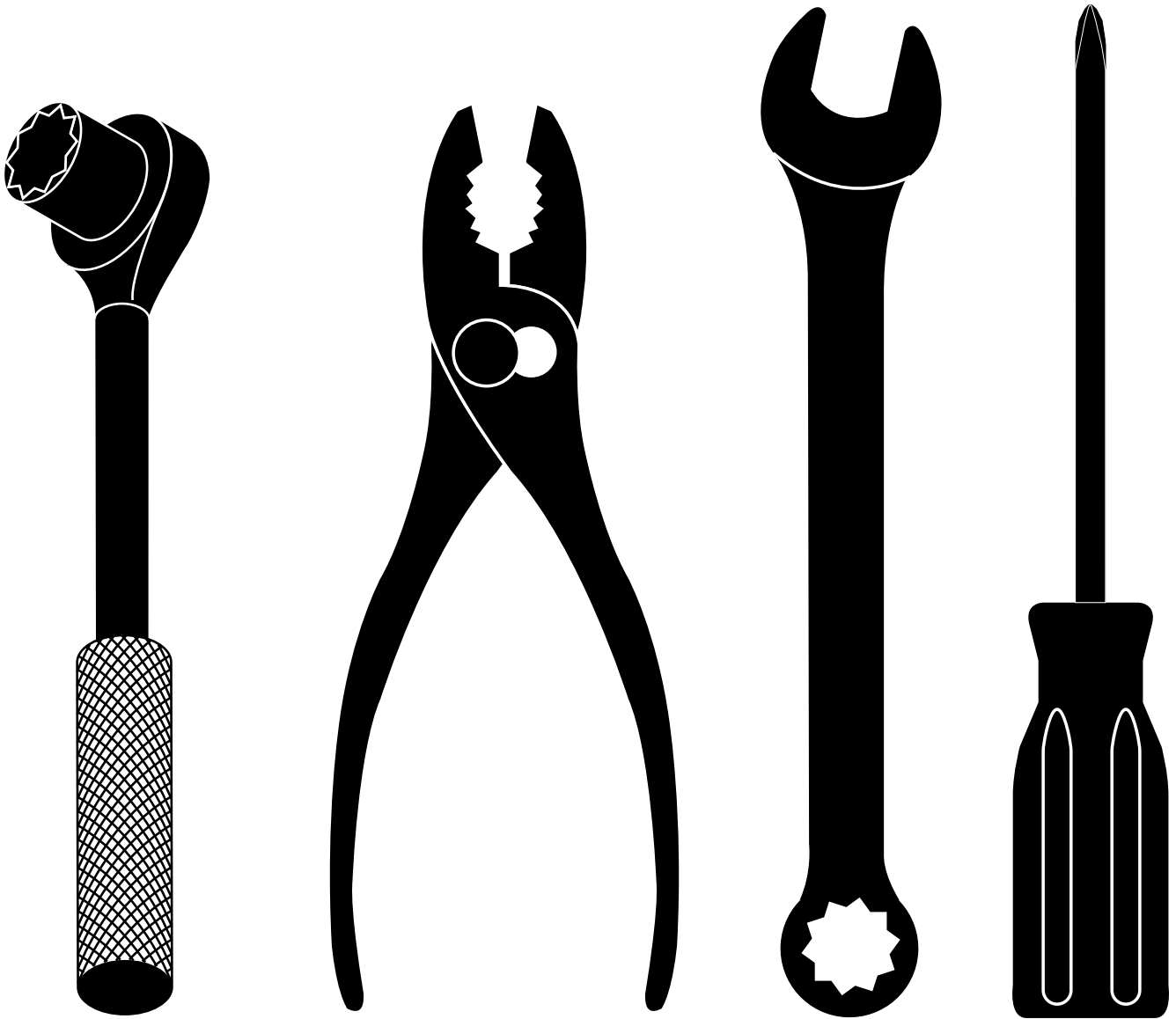
KEY NO.	PART NO.	DESCRIPTION
9	532 14 50-05	Decal, Battery Dnge/Poi
12	581 58 00-02	Decal, Mower V-Belt Schematic
--	581 72 48-01	Decal, Bypass
--	532 40 95-05	Pad, Footrest, LH
--	532 40 95-07	Pad, Footrest, RH
--	587 70 04-26	Manual, Operator's (Eng./Span.)
--	587 70 04-27	Manual, Part's (Eng./Span.)

WHEELS AND TIRES



KEY NO.	PART NO.	DESCRIPTION
1	532 05 91-92	Cap Valve Tire
2	532 06 51-39	Stem Valve
3	532 13 83-36	Rim Front
4	532 05 99-04	Tube Front (Service Item Only)
5	532 10 62-22	Tire Front 15 x 6-6
6	532 12 49-57	Fitting Grease (Front Wheel Only)
7	532 12 49-59	Bearing Flange (Front Wheel Only)
8	532 17 50-39	Cap Axle Blk 1 50 x 1 00
9	532 13 84-68	Tire Rear 20 x 8-8
10	532 12 49-26	Tube Rear (Service Item Only)
11	532 13 83-37	Rim Asm 8" Rear
--	532 14 43-34	Sealant, Tire (10 oz. Tube)

NOTE: All component dimensions given in U.S. inches
1 inch = 25.4 mm



MANUAL DE REPUESTOS
MODELO NO. YT48 (9603019800)
TRACTOR PARA CÉSPED

Jonsered®

COMO UTILIZAR ESTE MANUAL

Este manual está diseñado para brindarle al comprador un medio para identificar las piezas del tractor para cuando necesite hacer el pedido de un repuesto. Las ilustraciones pueden o no representar los ensambles reales; por lo tanto, no se recomienda utilizar este manual como una guía para ensamblar o desarmar el tractor. Algunos accesorios y piezas están dibujados en tamaños más grandes para identificarlos con mayor facilidad.

Cada tractor tiene su propio número de modelo.

El número de modelo del tractor se encuentra en el guardabarros debajo del asiento.

Cuando haga el pedido de una pieza, siempre brinde la siguiente información:

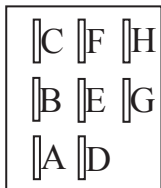
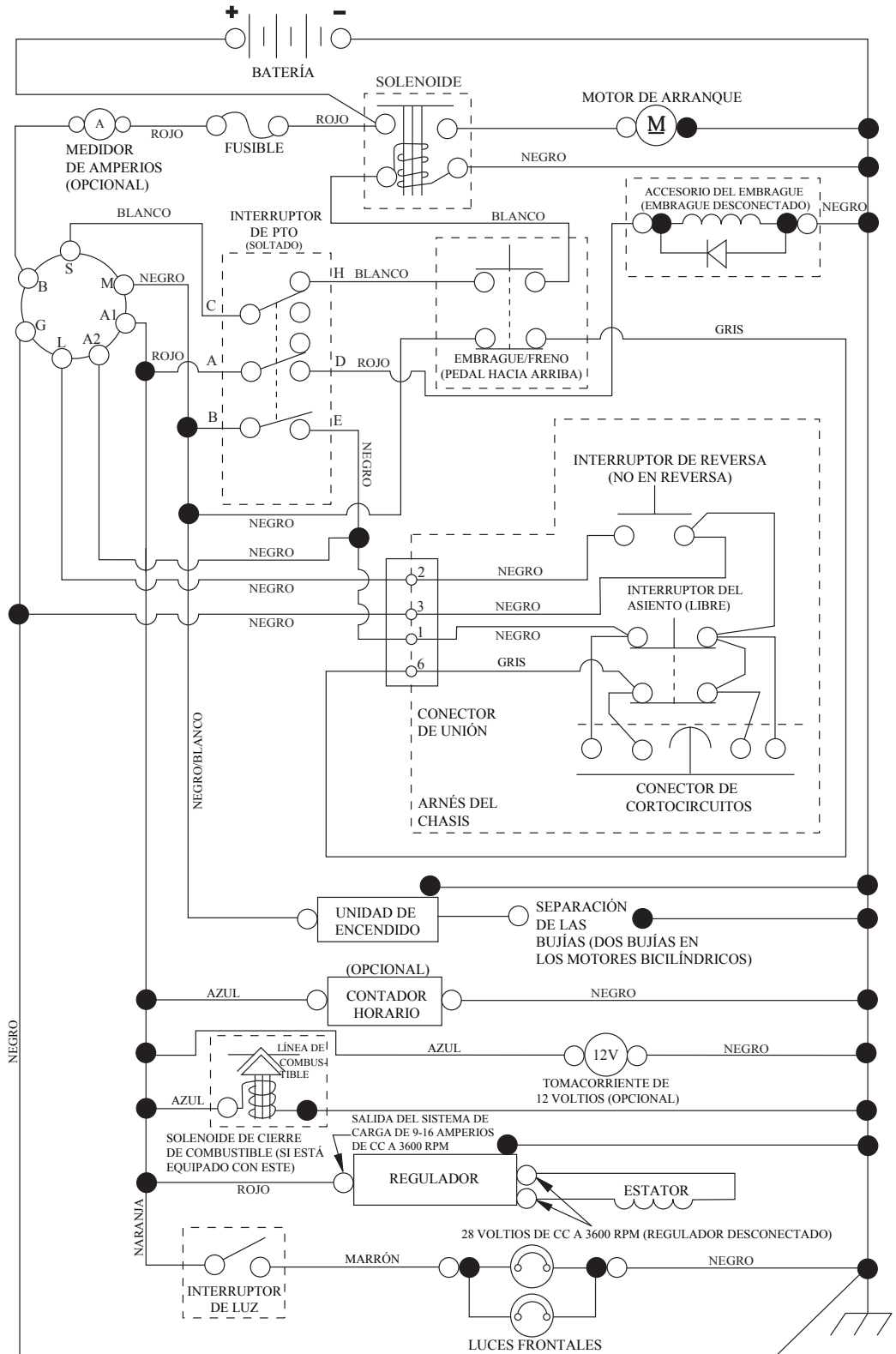
- Producto: "TRACTOR"
- NÚMERO DE MODELO: "YT48 (96043019800)"
- Número de pieza
- Descripción de la pieza

ÍNDICE

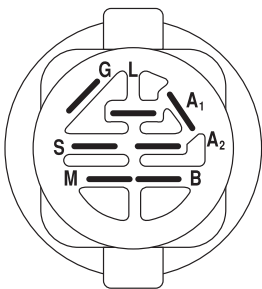
DIAGRAMA.....	3
DIAGRAMA ELÉCTRICO	4-5
CHASIS.....	6-7
TRANSMISIÓN	8-9
MOTOR	10-11
DIRECCIÓN	12-13
PLATAFORMA DE LA CORTADORA DE CÉSPED.....	14-15
ELEVACIÓN DE LA CORTADORA DE CÉSPED.....	16
ASIENTO.....	17
CALCOMANÍAS.....	18

TRACTOR - MODELO NO. YT48 (96043019800), PRODUCTO NO. 960 43 01-98 DIAGRAMA

SCH12-s

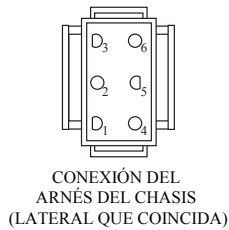


INTERRUPTOR DE PTO
(CARA DE ACOPLAMIENTO)

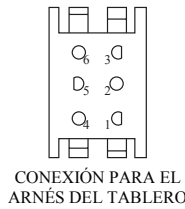


INTERRUPTOR DE ENCENDIDO

POSICIÓN	CIRCUITO «MARCA»
APAGADO	M+G+A1
PONER EN FUNCIONAMIENTO/ANULAR	B+A1
PONER EN FUNCIONAMIENTO	B+A1 L+A2
ARRANCAR	B + S + A1



CONEXIÓN DEL
ARNÉS DEL CHASIS
(LATERAL QUE COINCIDA)

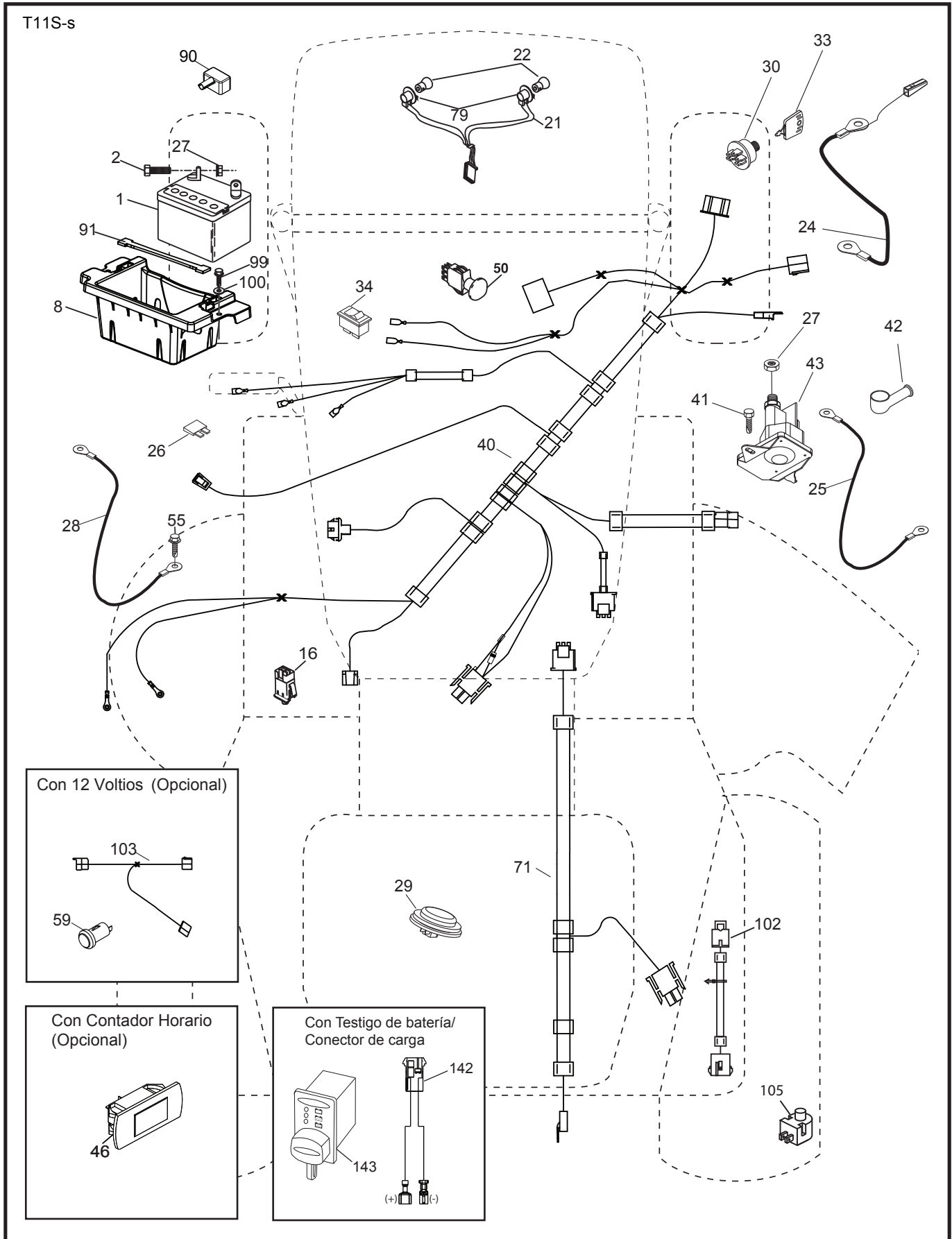


CONEXIÓN PARA EL
ARNÉS DEL TABLERO

NOTA SOBRE LAS ABRAZADERAS DE AISLAMIENTO DEL CABLEADO: SI SE QUITAN LAS ABRAZADERAS DE AISLAMIENTO DEL CABLEADO PARA HACER EL MANTENIMIENTO DE LA UNIDAD, SE LAS DEBERÁ INSTALAR NUEVAMENTE PARA PROTEGER EL CABLEADO ADECUADAMENTE.



TRACTOR - MODELO NO. YT48 (96043019800), PRODUCTO NO. 960 43 01-98
DIAGRAMA ELÉCTRICO

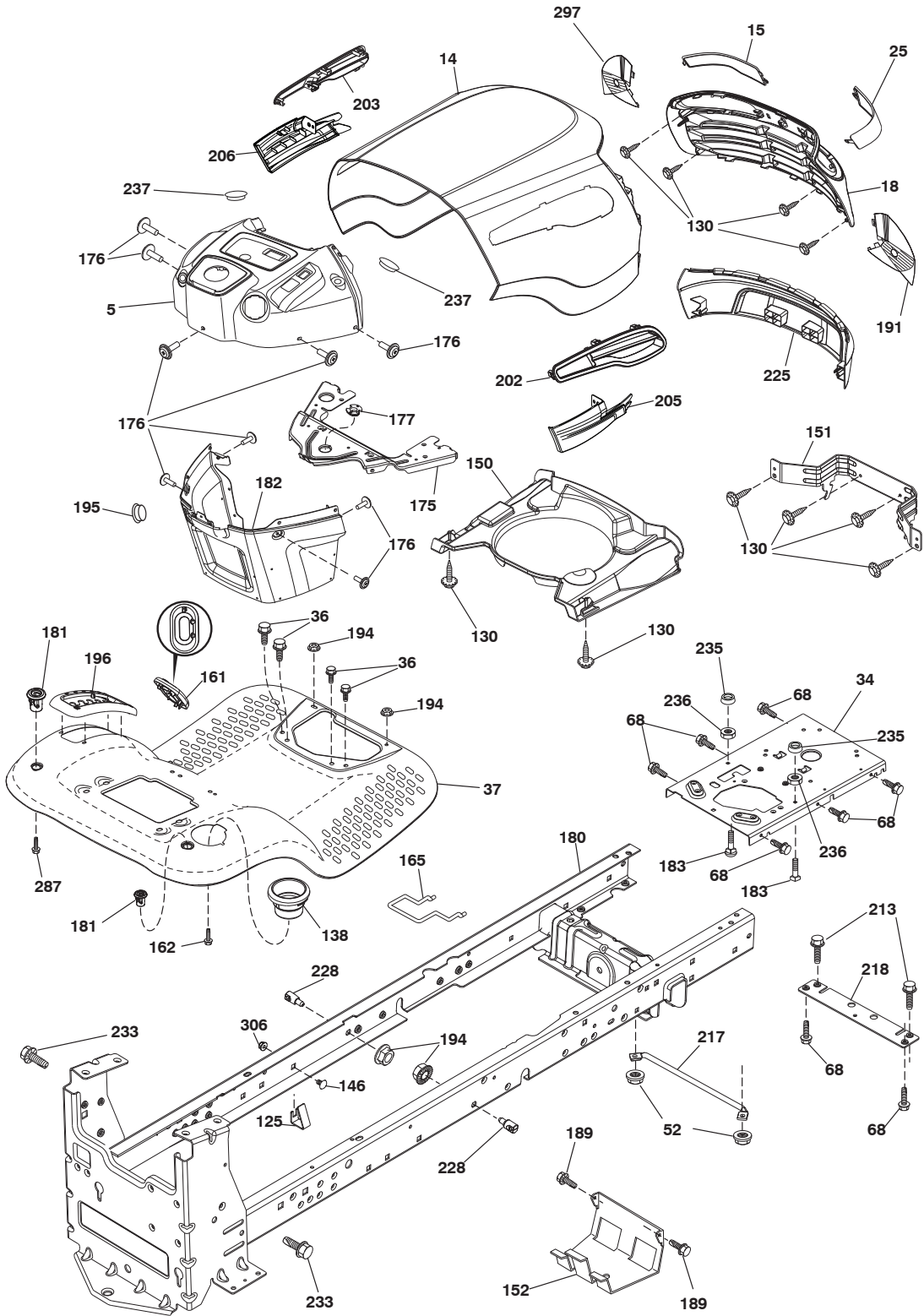


**TRACTOR - MODELO NO. YT48 (96043019800), PRODUCTO NO. 960 43 01-98
DIAGRAMA ELÉCTRICO**

CÓDIGO No.	PIEZA No.	DESCRIPCIÓN
1	532 16 34-65	Batería
2	874 76 04-12	Perno de cabeza hexagonal de 1/4-20 unc x 3/4
8	532 18 64-91	Caja de la batería
16	532 17 61-38	Interruptor corta corriente a presión
21	532 40 02-52	Cableado del enchufe para la luz c/4152J
22	532 00 41-52	Bombilla de luz
24	585 55 56-01	Cableado
25	585 55 55-01	Cableado
26	532 17 51-58	Fusible
27	873 51 04-00	Tuerca hexagonal 1/4-20 unc
28	532 41 65-88	Cableado a tierra
29	532 40 15-45	Interruptor del asiento
30	532 19 33-50	Interruptor de encendido
33	532 41 19-33	Llave/cadena
34	532 11 07-12	Interruptor de luz/de restauración
40	532 40 11-04	Cableado del tablero de encendido
41	817 72 04-08	Tornillo 1/4-20 x 1/2
42	532 13 15-63	Tapa de los bornes de la batería
43	532 19 25-07	Solenoides
46	586 16-18-01	Servicio del Indicador
50	532 17 46-51	Interruptor
55	817 06 05-12	Tornillo 5/16-18 x 3/4
71	532 19 42-76	Cableado de encendido
79	532 17 52-42	Ensamble del enchufe para la luz
90	532 43 53-95	Tapa de los bornes de la batería
91	532 19 02-70	Soporte
99	817 67 04-12	Tornillo
100	819 09 14-16	Arandela 9/32 x 7/8 x calibre 16
102	532 40 44-54	Cableado
105	532 40 75-68	Interruptor

NOTA: Las dimensiones de todos los componentes están expresadas en pulgadas americanas. 1 pulgada = 25,4 mm

TRACTOR - MODELO NO. YT48 (96043019800), PRODUCTO NO. 960 43 01-98
CHASIS



chassis-tex_PRED IIYT_30

TRACTOR - MODELO NO. YT48 (96043019800), PRODUCTO NO. 960 43 01-98 CHASIS

CÓDIGO PIEZA		DESCRIPCIÓN	CÓDIGO PIEZA		DESCRIPCIÓN
No.	No.		No.	No.	
5	532 42 47-38	Tablero	183	874 52 05-20	Perno 5/16-18 x 1-1/4
14	587 89 98-01	Capota	189	817 00 05-12	Tornillo 5/16-18 x 3/4
15	587 89 86-01	Lente izquierdo de la parrilla	191	532 42 54-07	Inserto LD
18	587 78 54-01	Parrilla	194	873 90 05-00	Tuerca de presión de 5/16-18
25	587 89 84-01	Lente derecho de la parrilla	195	532 40 41-37	Tapón
34	580 91 08-01	Chapa Motor	196	532 41 45-79	Ensamble de la consola de la plataforma de elevación
36	817 06 05-12	Tornillo de 5/16-18 x 3/4			
37	586 39 41-01	Guardabarros	202	587 78 52-01	Salida de Ventilación (LD)
52	873 68 05-00	Tuerca de presión 5/16-18	203	587 78 51-01	Salida de Ventilación (LI)
68	817 49 05-08	Tornillo de 5/16-18 x 1/2	205	587 77 74-01	Borde de Capota (LD)
125	581 68 48-01	Soporte	206	587 77 75-01	Borde de Capota (LI)
130	532 41 63-58	Tornillo No. 10 x 0,75	213	874 76 05-12	Perno
138	532 40 97-30	Portavasos	217	532 40 91-67	Varilla giratoria
146	581 85 79-01	Perno	218	532 19 63-95	Tope
150	584 86 29-01	Cubierta térmica del conducto	225	587 89 81-01	Parachoques
151	532 44 54-94	Soporte	228	532 19 51-61	Sujetador del travesaño
152	532 19 95-35	Protector contra oscurecimiento	233	532 19 65-39	Perno
161	532 41 20-72	Ventana de combustible	235	532 40 61-29	Separador del guardabarros
162	532 14 24-32	Tornillo	236	873 93 05-00	Tuerca de presión 5/16-18 unc
165	532 19 68-26	Soporte	237	532 40 37-04	Tapón
175	532 19 63-04	Travesaño	287	817 60 04-06	Tornillo 1/4 - 20 x 3/8
176	532 40 07-76	Tornillo de 10-24 x 5/8	297	532 42 54-06	Inserto LI
177	532 19 52-27	Buje de dirección	306	873 90 06-00	Tuerca
180	532 19 54-57	Chasis			
181	532 43 97-46	Buje de soporte del guardabarros de carga			
182	532 40 68-59	Tablero inferior			

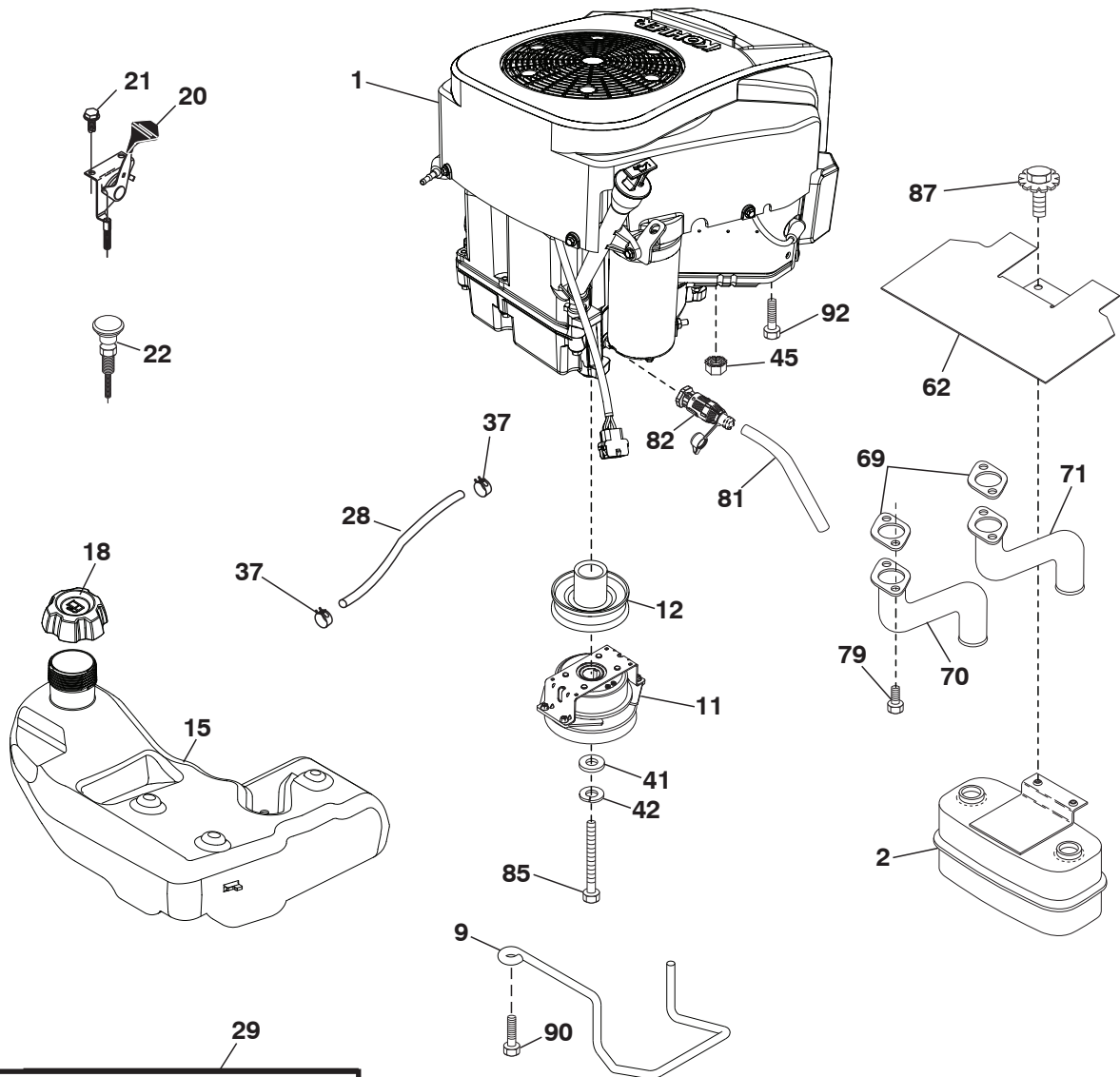
NOTA: Las dimensiones de todos los componentes están expresadas en pulgadas americanas. 1 pulgada = 25,4 mm

TRACTOR - MODELO NO. YT48 (96043019800), PRODUCTO NO. 960 43 01-98 TRANSMISIÓN

CÓDIGO No.	PIEZA No.	DESCRIPCIÓN	CÓDIGO No.	PIEZA No.	DESCRIPCIÓN
1	---	Transeje, TuffTorq K46BT (426120) (Haga el pedido de las piezas al fabricante del transeje)	186	532 19 43-21	Espaciador de retención
			187	819 13 32-10	Arandela
			188	532 19 43-23	Mecanismo de desplazamiento de la varilla de mando del embrague
2	532 12 35-83	Cuña	189	532 19 43-17	Palanca acodada del mecanismo de desplazamiento
15	819 13 13-16	Arandela de 13/32 x 13/16 x calibre 16	190	532 19 43-18	Sujetador de la palanca acodada del mecanismo de desplazamiento
17	532 41 36-78	Resorte de freno	196	817 00 06-16	Tornillo 3/8-16 x 1
26	532 19 96-79	Crucero con retorno de muelle	197	585 65 86-01	Mecanismo de desplazamiento de la mando del embrague
29	532 40 38-06	Varilla del freno	205	532 12 17-48	Arandela de 25/32 x 1-5/8 calibre 16
33	812 00 00-01	Aro E	206	532 44 85-96	Soporte de montaje del bloqueo del crucero
35	583 86 45-01	Varilla del freno de mano	207	532 19 78-68	Bloqueo del control del crucero
42	532 12 48-72	Cubierta del pedal	208	532 19 78-69	Engranaje del sector de control del crucero
49	872 11 06-14	Perno	209	532 19 95-92	Varilla de control del crucero
50	532 19 43-27	Polea loca plana	210	532 40 09-80	Ensamble del control del pedal
51	873 90 06-00	Tuerca de presión de 3/8-16	211	532 12 01-83	Rodamiento de nylon
52	532 19 43-26	Polea loca con ranura en V	213	532 40 31-19	Perilla de control del crucero
56	532 13 09-69	Correa trapezoidal de la transmisión	214	532 42 12-63	Forro del pedal para avanzar
64	532 19 78-65	Ensamble del eje Control del pedal de freno	215	532 40 17-23	Forro del pedal para retroceder
73	874 49 05-40	Perno de 5/16-18 x 2 1/2 G.5	216	532 19 61-31	Soporte del Polea
92	874 76 05-20	Perno de cabeza hexagonal con aleta de 5/16-18 unc x 1,25	221	532 40 31-87	Abrazadera de retención del resorte de la manija
99	532 41 57-42	Varilla del ensamble con resorte de desviación	222	879 21 20-10	Arandela de 21/32 x 1-1/4 calibre 10
116	873 90 05-00	Tuerca de presión hexagonal con brida de 5/16-18	225	532 40 33-19	Sujetador de la correa
125	817 00 05-12	Tornillo de 5/16-18 x 3/4	227	817 49 05-12	Tornillo
143	817 49 05-08	Tornillo de 5/16-18 x 1/2	230	532 18 89-67	Arandela
153	532 12 47-88	Retén del resorte	325	585 66 85-02	Soporte
159	876 02 04-12	Pasador de chaveta de 1/8 x 3/4	326	585 67 08-02	Soporte
160	532 16 94-84	Abrazadera de retención	334	585 88 22-02	Soporte
161	532 10 57-09	Resorte de retorno del embrague	336	587 25 96-01	Perno 5/16 - 18 x 1-3/4
163	532 44 82-75	Varilla de control			
166	532 42 91-64	Tuerca de presión			
167	532 40 52-57	Pestillo del freno de mano			
170	532 19 43-22	Sujetador de la correa			
171	872 11 06-16	Perno			
183	532 13 70-57	Separador del eje			
184	587 65 37-01	Manija del freno de mano			
185	872 11 06-22	Perno			

NOTA: Las dimensiones de todos los componentes están expresadas en pulgadas americanas. 1 pulgada = 25,4 mm

TRACTOR - MODELO NO. YT48 (96043019800), PRODUCTO NO. 960 43 01-98
MOTOR



EQUIPO APAGACHISPAS

engine-tex_Kohl-2cyl_27

**TRACTOR - MODELO NO. YT48 (96043019800), PRODUCTO NO. 960 43 01-98
MOTOR**

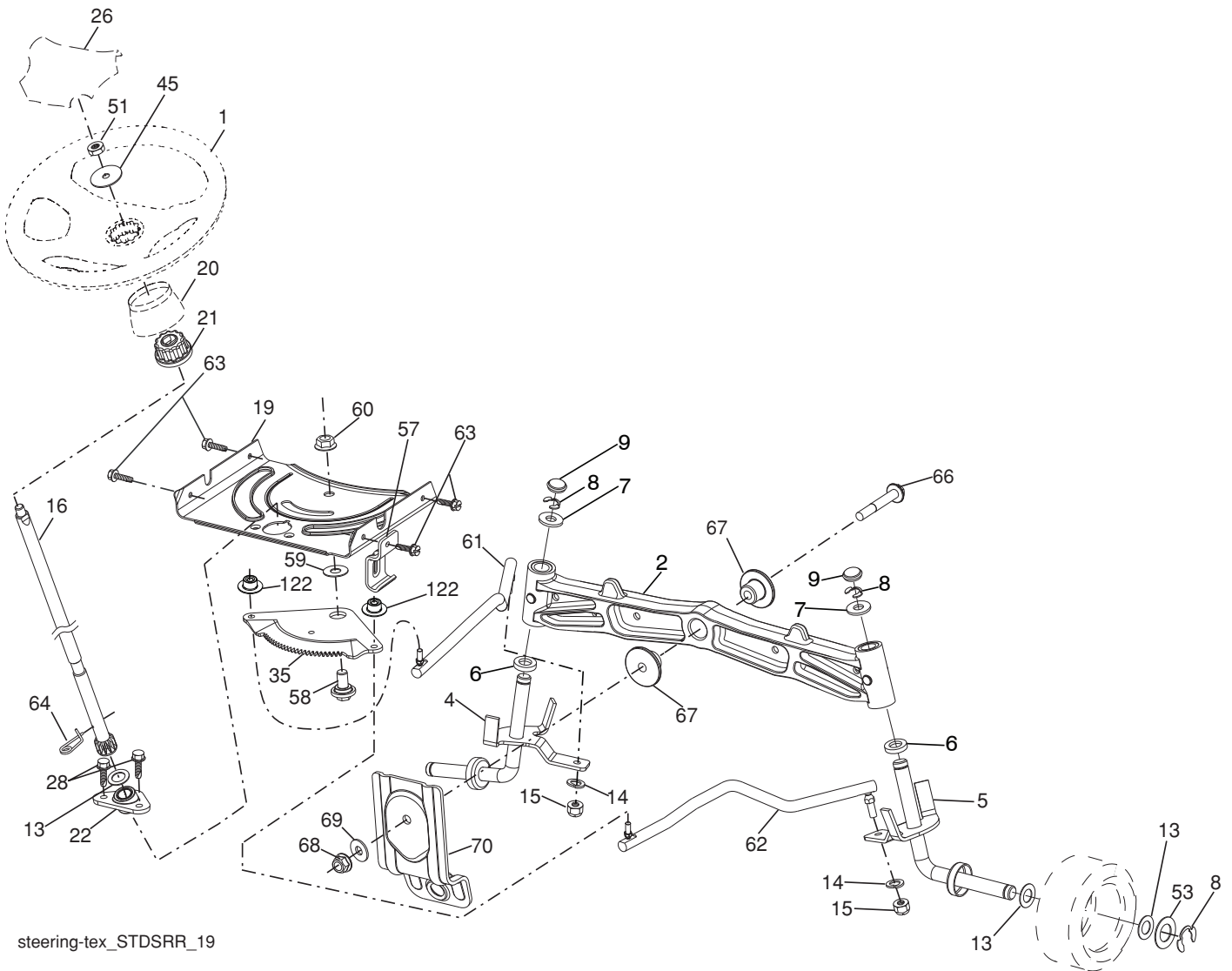
CÓDIGO No.	PIEZA No.	DESCRIPCIÓN
1	-----	Motor Kohler modelo No. KT725-3014 (585452901) (Haga el pedido de las piezas al fabricante del motor.)
2	532 14 97-23	Silenciador
9	584 90 80-01	Ensamble del sujetador de la correa del motor
11	587 24 16-01	Embrague de eléctrico
12	532 40 50-97	Polea del motor
15	532 43 80-80	Tanque de combustible
18	585 12 48-02	Ensamble de la tapa
20	532 18 29-37	Control del regulador
21	532 41 63-58	Tornillo No. 10 x 0,75
22	532 19 15-96	Control de estrangulación
28	532 40 11-35	Línea de combustible
29	532 13 71-80	Equipo apagachispas
37	532 12 34-87	Abrazadera de la manguera
41	532 12 61-97	Arandela 1-1/2 OD x 15/32 ID x 0,250
42	810 04 07-00	Arandela de presión de 7/16
45	873 51 04-00	Tuerca
62	532 43 40-17	Protector
69	532 18 60-54	Junta
70	583 95 45-01	Silenciador /Tubo LI
71	583 95 48-01	Silenciador /Tubo LD
79	532 19 23-34	Tornillo 5/16-18 x 0,75
81	532 14 84-56	Tubo de fácil drenaje de aceite
82	532 42 82-87	Conector del drenaje de aceite
85	532 17 99-53	Perno 7/16-20 x 3.75 Gr.
87	537 17 18-77	Perno de 5/16-18
90	817 00 06-16	Tornillo 3/8-16 x 1
92	817 12 06-16	Tornillo 3/8-16 x 1

NOTA: Las dimensiones de todos los componentes están expresadas en pulgadas americanas. 1 pulgada = 25,4 mm

Para realizar el mantenimiento del motor y para obtener repuestos, llame al número gratuito del fabricante de su motor que se enumera a continuación:

Kohler Co. 1-800-544-2444

TRACTOR - MODELO NO. YT48 (96043019800), PRODUCTO NO. 960 43 01-98
ENSAMBLE DE LA DIRECCIÓN



steering-tex_STDSRR_19

**TRACTOR - MODELO NO. YT48 (96043019800), PRODUCTO NO. 960 43 01-98
ENSAMBLE DE LA DIRECCIÓN**

CÓDIGO PIEZA		DESCRIPCIÓN
No.	No.	
1	532 42 41-46	Volante de dirección
2	532 19 59-68	Eje
4	532 40 30-87	Ensamble del husillo izquierdo
5	532 40 30-88	Ensamble del husillo derecho
6	532 12 49-31	Arandela
7	532 12 17-48	Arandela de 25/32 x 1-5/8 calibre 16
8	812 00 00-29	Abrazadera del aro No. T5304-75
9	532 12 12-32	Tapa del husillo
13	532 12 17-49	Arandela de 25/32 x 1-1/4 calibre 16
14	810 04 06-00	Arandela de presión de 3/8
15	873 54 06-00	Tuerca corona de presión de 3/8-24 unf
16	532 40 82-19	Eje de dirección
19	532 19 47-29	Placa de dirección
20	532 42 47-40	Accesorio de transición de la dirección
21	532 18 67-37	Adaptador del volante de dirección
22	532 42 05-37	Dirección soporte
26	532 42 41-47	Inserto del volante de dirección
28	817 00 06-12	Tornillo de 3/8-16 x 3/4
35	532 19 47-32	Engranaje del sector de la placa
45	819 18 38-12	Arandela de 9/16 ID x 2-3/8 x calibre 12
51	873 94 08-00	Tuerca de presión de 1/2-20 unf
53	532 18 89-67	Arandela reforzada de 793 x 1637 x 0,060
57	532 19 72-46	Tope superior del soporte
58	532 19 47-47	Perno de tope del sector del pivote CFM
59	532 19 47-48	Arandela de empuje del sector de dirección
60	873 97 10-00	Tuerca de presión con brida de 5/8-11
61	532 19 47-40	Barra de acoplamiento izquierda
62	532 19 47-41	Barra de acoplamiento derecha
63	817 00 05-12	Tornillo de 5/16-18 x 3/4
64	532 19 98-49	Abrazadera de retención del resorte de la dirección
66	871 02 07-48	Perno de cabeza 7/16-14 x 3
67	532 19 47-37	Buje PM del eje delantero
68	873 90 07-00	Tuerca de presión con brida de 7/16-14 grado 5
69	532 19 91-62	Arandela de 1,5 x 0,505 x 0,118
70	585 33 88-01	Soporte de la plataforma delantera
122	532 44 49-62	Tapa

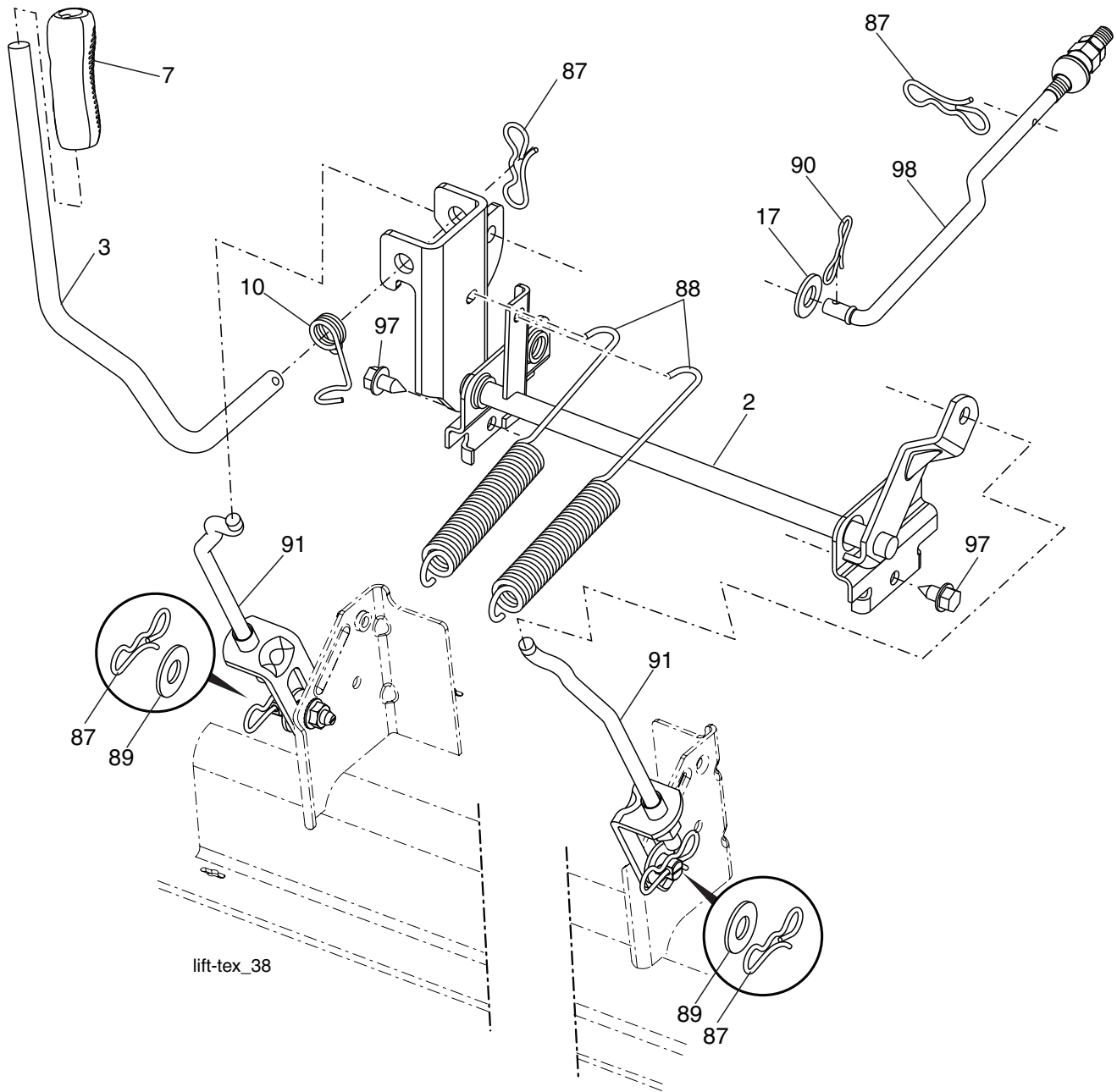
NOTA: Las dimensiones de todos los componentes están expresadas en pulgadas americanas. 1 pulgada = 25,4 mm

**TRACTOR - MODELO NO. YT48 (96043019800), PRODUCTO NO. 960 43 01-98
PLATAFORMA DE LA CORTADORA DE CÉSPED**

CÓDIGO PIEZA			CÓDIGO PIEZA		
No.	No.	DESCRIPCIÓN	No.	No.	DESCRIPCIÓN
1	587 93 93-01	Conjunto segador	54	872 11 06-12	Perno 3/8-16 x 1-1/2 Gr. 5
6	532 19 72-48	Cubierta izquierda del mandril (LI)	97	532 17 85-15	Arandela
7	587 45 24-01	Cubierta izquierda del mandril (LD)	98	532 19 61-05	Resorte
8	532 19 30-03	Perno 7/16	113	872 11 05-08	Perno 5/16-18 unc x 1
11	532 18 00-54	Cuchilla	114	532 19 74-51	Varilla
12	532 40 48-51	Varilla	116	532 19 34-06	Perno con Resalto
13	532 18 72-91	Eje	117	532 17 48-73	Rueda Calibradora
14	532 18 72-81	Carcasa del mandril	120	819 13 20-12	Arandela, 13/32 x 1-1/4 x 12 Ga.
15	532 11 04-85	Rodamiento de bolas del mandril	122	532 18 75-57	Buje
16	819 13 13-12	Arandela 13/32 x 13/16 x calibre 12	185	873 90 07-00	Tuerca de Presión Hexagonal con Brida de 7/16-14 Gr. 5
17	872 11 05-05	Perno 5/16-18 x 5/8	187	532 19 51-61	Sujetador del Travesaño
18	872 14 05-05	Perno de Acarreo 5/16-18 x 5/8	188	873 90 05-00	Tuerca
19	532 19 42-08	Pasador de Chaveta de 5/16	189	532 19 51-85	Brazo de la Suspensión
20	532 17 43-78	Deflector delantero	190	532 19 65-39	Perno con Resalto
21	873 68 05-00	Tuerca de Seguridad de Brida 5/16-18	194	874 49 07-36	Perno de Cabeza Hexagonal de 7/16-24
22	532 17 44-93	Mandril	241	532 15 29-27	Tornillo TT #10-32.5. 3/8
24	532 10 53-04	Tapa de la Manga	242	532 41 55-98	Puerto De Lavado De La Cubierta
25	532 17 81-02	Resorte de Torsión	250	585 31 80-05	Placa
26	532 11 04-52	Tuerca	251	585 32 24-05	Placa
27	532 18 17-07	Protector del Deflector	252	539 10 98-00	Perno 1/4-20 x 1 Gr. 5
29	532 13 14-91	Varilla de Articulación	253	873 90 04-00	Tuerca 1/4-20 unc
31	532 18 76-90	Arandela del Separador	--	532 18 72-92	Ensamble del Mandril (solo incluye la carcasa, el ensamble del eje y el rodamiento; no incluye la polea/tuerca/arandela ni los pernos/arandelas de la cuchilla)
32	532 15 35-32	Polea del Mandril	--	587 92 72-01	Reemplazo de la cortadora de césped, completa
33	532 40 02-34	Tuerca de Presión Con Brida			
39	532 19 73-80	Polea Loca 4.50			
41	584 95 39-01	Perno			
43	532 19 60-65	Brazo de la Polea			
46	532 13 77-29	Tornillo 1/4-20 x 5/8			
47	532 19 72-42	Correa			
48	532 19 73-79	Polea			
49	873 90 06-00	Tuerca de Presión Hexagonal con Brida de 3/8-16			
50	817 49 06-36	Tornillo 3/8-16 x 2			
52	532 19 31-97	Polea loca primaria			

NOTA: Las dimensiones de todos los componentes están expresadas en pulgadas americanas. 1 pulgada = 25,4 mm

TRACTOR - MODELO NO. YT48 (96043019800), PRODUCTO NO. 960 43 01-98
ELEVACIÓN DE LA CORTADORA DE CÉSPED

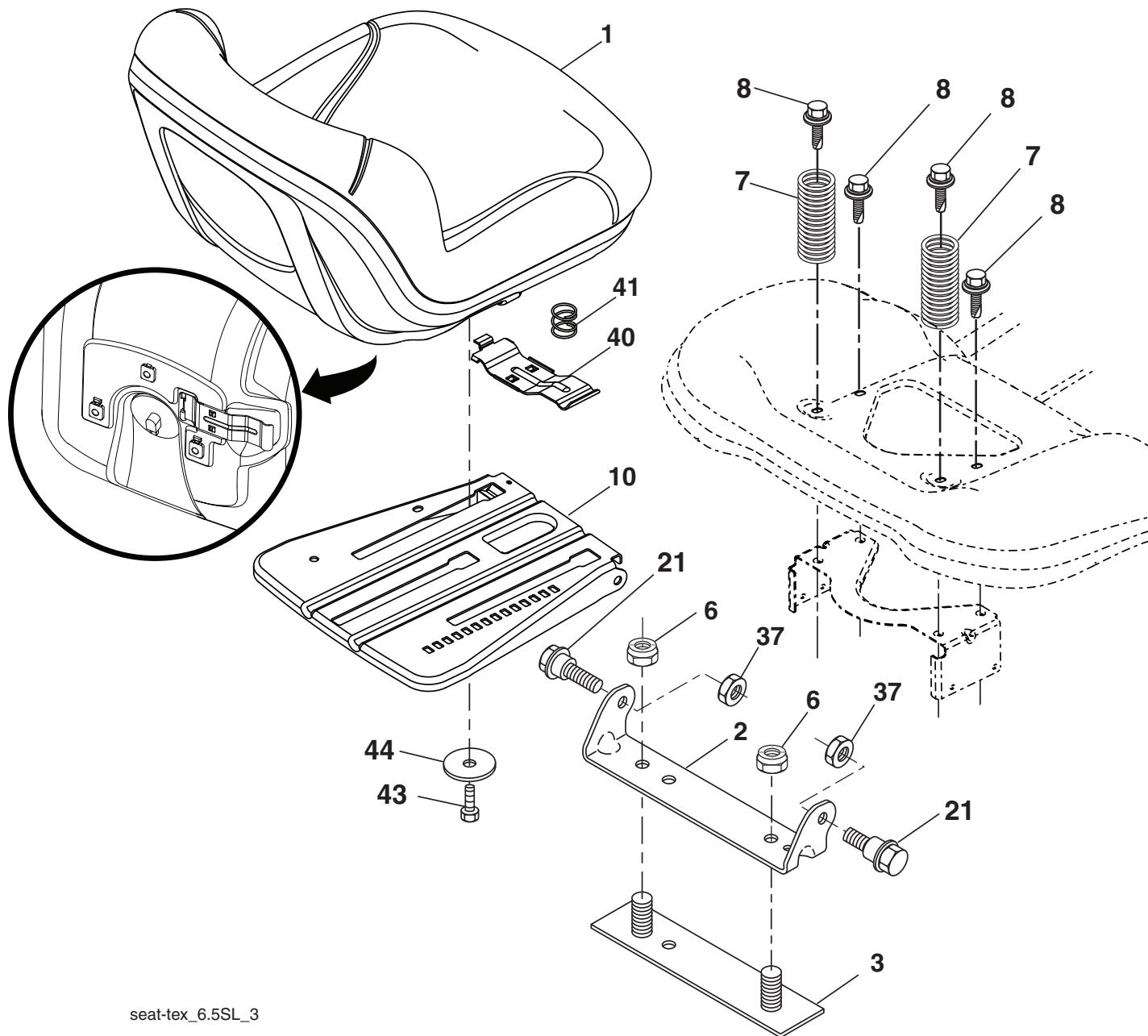


CÓDIGO No.	PIEZA No.	DESCRIPCIÓN
2	532 42 20-27	Ensamble del eje de la elevación
3	532 19 52-31	Ensamble de la palanca de elevación derecha
7	580 96 23-01	Mango de la palanca
10	532 19 63-14	Resorte de torsión
17	819 13 13-12	Arandela 13/32 x 13/16 x calibre 12
87	532 19 42-09	Pasador de chaveta de 7/16 con bloqueo en forma de mariposa
88	532 41 07-10	Resorte de ayuda de la elevación
89	819 19 19-12	Arandela de zinc transparente

CÓDIGO No.	PIEZA No.	DESCRIPCIÓN
90	532 19 42-08	Pasador de chaveta de 5/16 con bloqueo en forma de mariposa
91	532 19 51-81	Ensamble del acoplamiento
97	817 00 06-12	Tornillo de 3/8-16 x 0,75
98	532 19 52-64	Acoplamiento frontal de la elevación de la cortadora de césped

NOTA: Las dimensiones de todos los componentes están expresadas en pulgadas americanas. 1 pulgada = 25,4 mm

**TRACTOR - MODELO NO. YT48 (96043019800), PRODUCTO NO. 960 43 01-98
ENSAMBLE DEL ASIENTO**



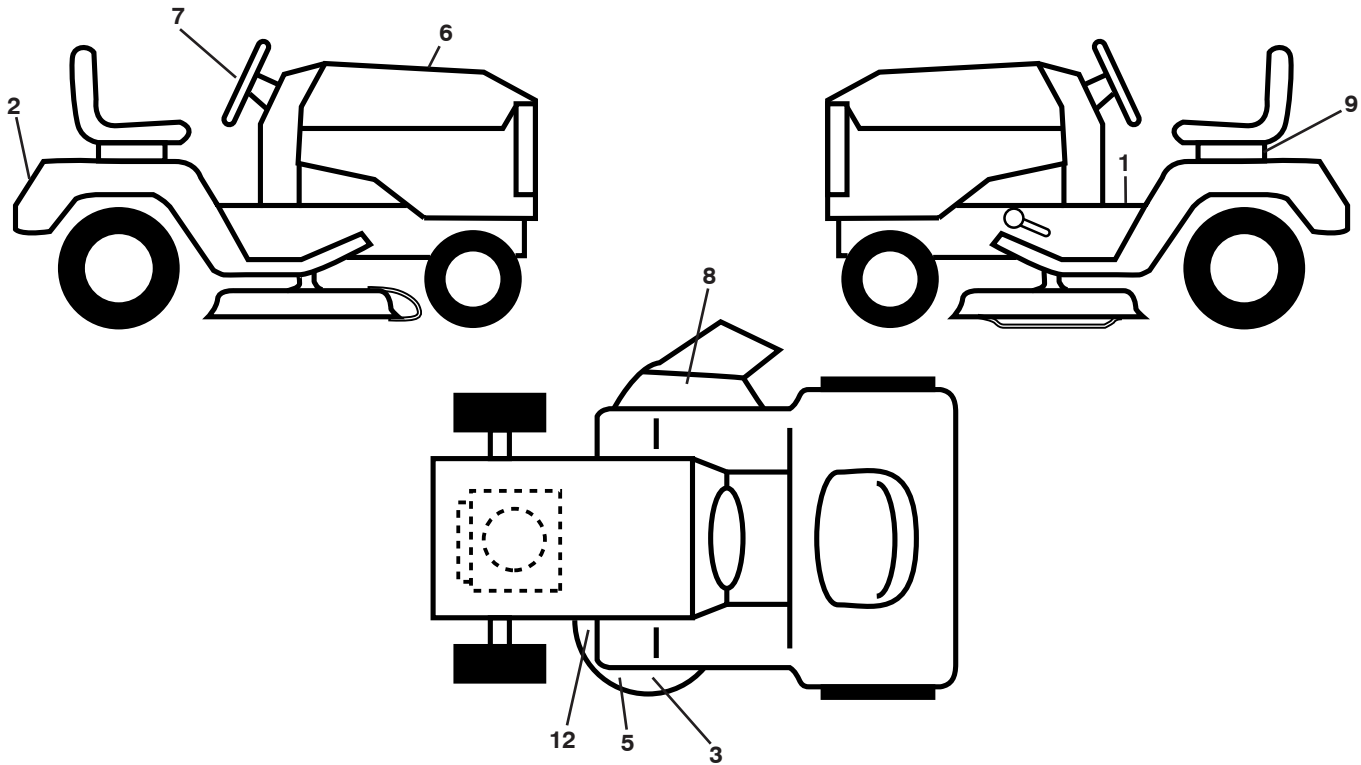
seat-tex_6.5SL_3

CÓDIGO No.	PIEZA No.	DESCRIPCIÓN
1	532 40 66-25	Asiento
2	532 18 01-66	Soporte pivotante del guardabarros
3	532 14 06-75	Conector del ensamble del guardabarros
6	873 80 06-00	Tuerca de presión c/aislamiento de 3/8-16 unc
7	532 12 41-81	Resorte del asiento
8	532 17 18-77	Perno de 5/16" unc x 3/4"
10	532 19 69-77	Bandeja del asiento
21	532 17 18-52	Perno de tope de 5/16-18
37	873 80 05-00	Tuerca de presión de 5/16-18 unc

CÓDIGO No.	PIEZA No.	DESCRIPCIÓN
40	532 19 76-61	Manija para deslizar el asiento
41	532 19 82-00	Resorte para trabar el asiento
43	874 76 06-12	Perno de cabeza hexagonal con aleta de 3/8-16 unc x 3/4
44	819 13 38-12	Arandela de 13/32 x 2-3/8 calibre 12

NOTA: Las dimensiones de todos los componentes están expresadas en pulgadas americanas. 1 pulgada = 25,4 mm

**TRACTOR - MODELO NO. YT48 (96043019800), PRODUCTO NO. 960 43 01-98
CALCOMANÍAS**



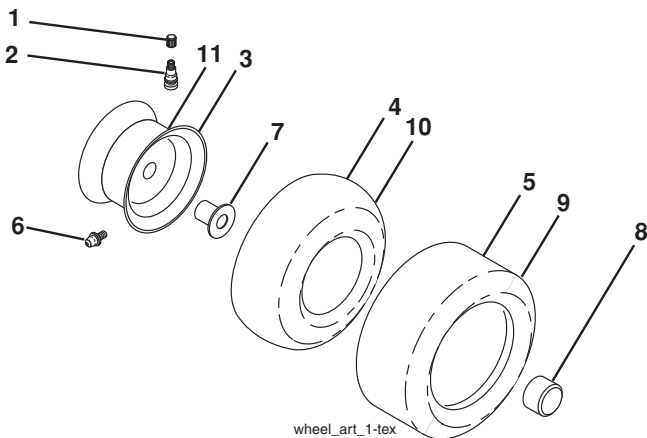
**CÓDIGO PIEZA
No. No.**

CÓDIGO No.	PIEZA No.	DESCRIPCIÓN
1	581 57 89-01	Calcomanía advertencia
2	587 67 54-01	Calcomanía para la guardabarros
3	587 56 08-01	Calcomanía cubierta
5	581 72 45-02	Calcomanía advertencia
6	587 64 06-01	Calcomanía de reemplazo
7	587 73 15-01	Calcomanía de volante de dirección
8	584 90 46-01	Calcomanía advertencia
9	532 14 50-05	Calcomanía de Peligro/Punto de interconexión

**CÓDIGO PIEZA
No. No.**

CÓDIGO No.	PIEZA No.	DESCRIPCIÓN
12	581 58 00-02	Calcomanía del diagrama de la cortadora de césped
--	581 72 48-01	Calcomanía para la desviación
--	532 40 95-05	Forro del apoyo para los pies (LI)
--	532 40 95-07	Forro del apoyo para los pies (LD)
--	587 70 04-26	Manual de Operario (ESPAÑOL/INGLÉS)
--	587 70 04-27	Manual De Repuestos (ESPAÑOL/INGLÉS)

RUEDAS Y NEUMÁTICOS



**CÓDIGO PIEZA
No. No.**

CÓDIGO No.	PIEZA No.	DESCRIPCIÓN
1	532 05 91-92	Tapa de la válvula del neumático
2	532 06 51-39	Vástago de la válvula
3	532 13 83-36	Ensamble de las llantas delanteras
4	532 05 99-04	Cámara delantera (Mantenimiento sólo)
5	532 10 62-22	Neumático delantero 15 x 6-6
6	532 12 49-57	Accesorio para engrasar (solo para la rueda delantera)
7	532 12 49-59	Rodamiento de la brida (solo para la rueda delantera)
8	532 17 50-39	Tapa del eje 1 50 x 1 00
9	532 13 84-68	Neumático 20 x 8-8
10	532 12 49-26	Cámara trasera (Mantenimiento sólo)
11	532 13 83-37	Ensamble trasero de la llanta 8"
--	532 14 43-34	Sellador para neumáticos (tubo de 10 onzas [283 gr])

NOTA: Las dimensiones de todos los componentes están expresadas en pulgadas americanas. 1 pulgada = 25,4 mm