



**iowater**

# Parts Manual

**Z54R Zero Turn Mower**

**967328001-00**

Please read the operator manual carefully and make sure you understand the instructions before using the machine.



When you need spare parts or support in service questions, warranty issues, etc., please consult the following professional:

This manual belongs to the machine with the manufacturing number:	Engine	Transmission

### Manufacturing Number

*The machine's manufacturing number can be found on the printed plate affixed to the engine compartment.*

Stated on the plate, from the top are:

- The machine's type designation (I.D.).
- The manufacturer's type number (Model).
- The machine's serial number (Serial no.)

*Please have the type designation and serial number available when ordering spare parts.*

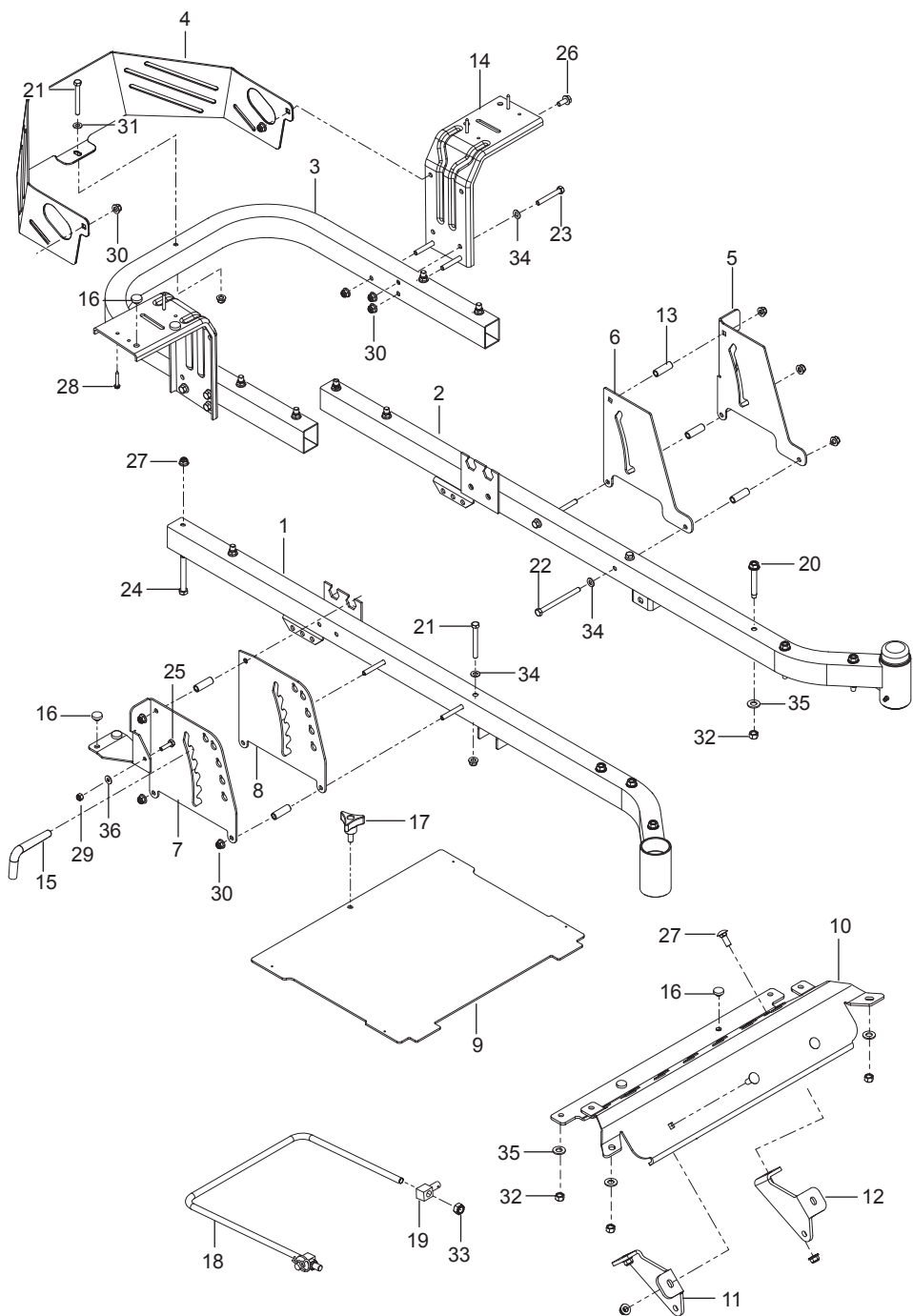
# CONTENTS

FRAME .....	4
ENGINE MOUNTING, GUARDS & MUFFLER .....	6
STEERING .....	8
IGNITION SYSTEM.....	10
BRAKE / LIFT .....	12
HYDRAULIC PUMP-MOTOR.....	14
WHEELS & TIRES .....	16
MOWER DECK / CUTTING DECK .....	18
SEAT .....	20
DECALS .....	22

Illustrations may or may not represent the actual assemblies and it is not recommended to use this manual as a guide to assemble or disassemble the mower.

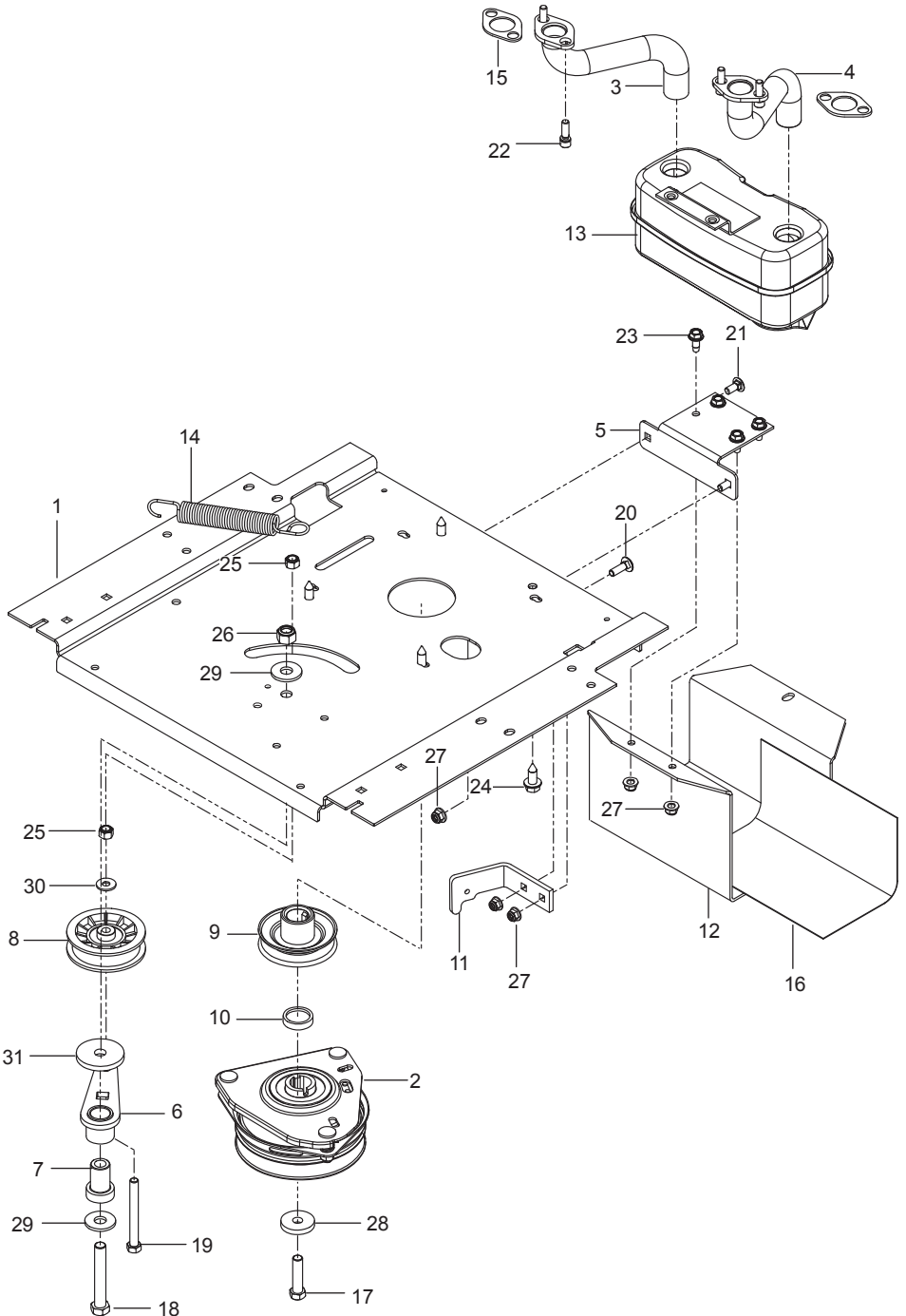
NOTE: All fasteners are Grade 5 unless otherwise specified.

# FRAME



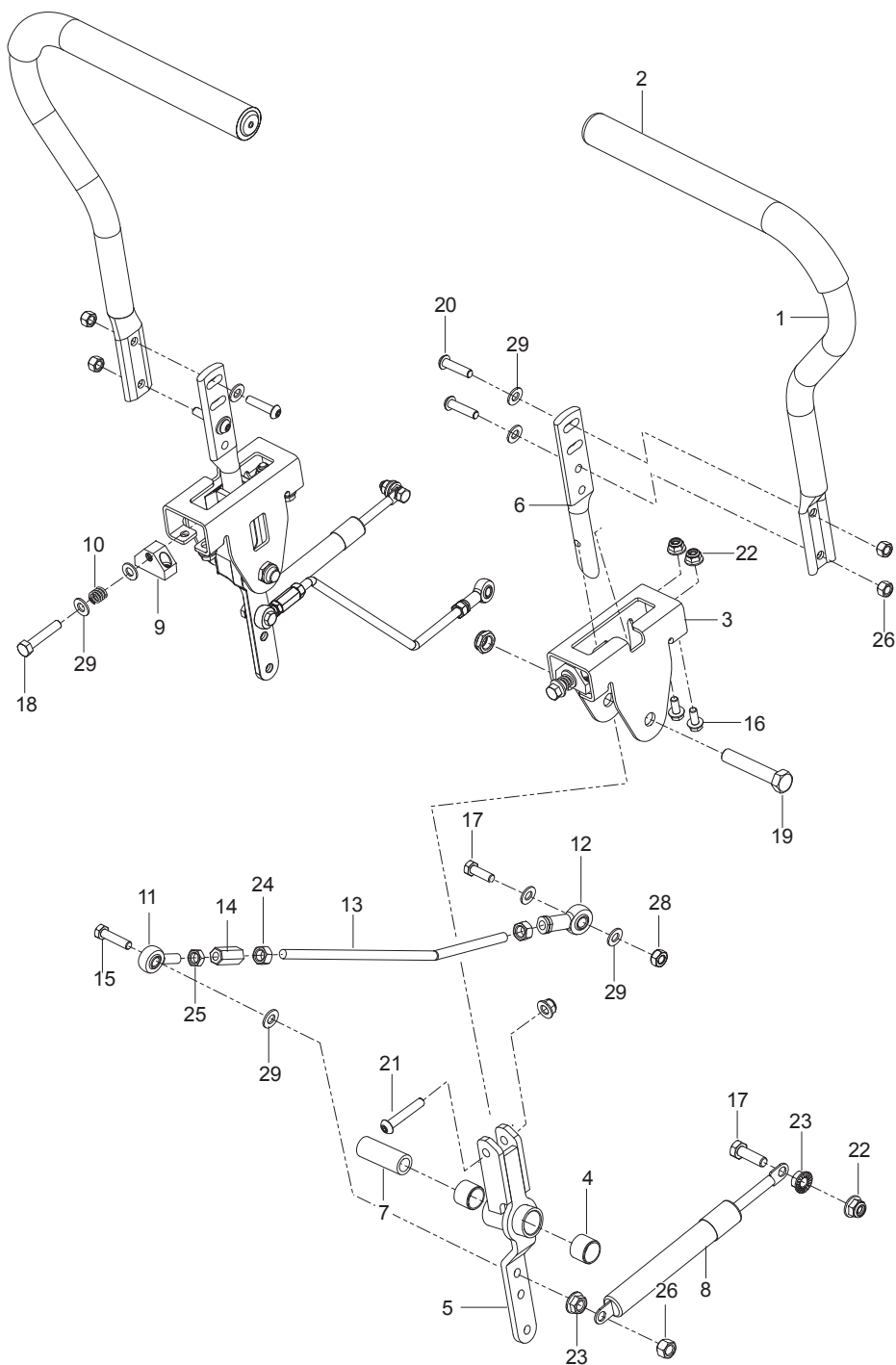
Ref.	Part No.	Qty	Description
1	510 17 74-07	1	Frame, Front Right Red
2	510 17 75-07	1	Frame, Front Left Red
3	586 44 10-07	1	Frame, Rear Tube Red
4	522 95 67-06	1	Guard, Rear Red
5	510 26 18-02	1	Plate, Outer Brake Blk
6	510 20 67-03	1	Plate, Brake Latch Blk
7	580 52 80-02	1	Plate, Lift Outer Blk
8	510 24 05-02	1	Plate, Lift Inner Blk
9	581 44 86-07	1	Plate, Foot Red
10	522 74 07-11	1	Foot Rest Red
11	581 22 28-02	1	Mount, Strut Right Blk
12	581 22 29-02	1	Mount, Strut Left Blk
13	580 48 61-01	6	Spacer
14	580 50 13-02	1	Support, Fender Blk
15	510 01 65-03	1	Pin, Lift
16	539 10 25-87	6	Grommet, Rubber
17	539 10 44-11	1	Knob w/ Stud
18	521 93 81-01	1	Link, Front Suspension
19	581 51 43-01	2	Swivel
20	874 49 06-44	6	Bolt 3/8-16 x 2-3/4 Hex Flange Head
21	874 78 05-44	3	Bolt 5/16-18 x 2-3/4 Hex Head
22	874 78 05-64	4	Bolt 5/16-18 x 4 Hex Head
23	874 78 05-36	6	Bolt 5/16-18 x 2-1/4 Hex Head
24	874 78 06-48	8	Bolt 3/8-16 x 3 Hex Head
25	874 78 04-16	2	Bolt 1/4-20 x 1 Hex Head
26	874 49 05-12	2	Bolt 5/16-18 x 3/4 Hex Flange Head
27	872 14 06-08	4	Bolt 3/8-16 x 1 Round Head Square Neck
28	539 11 06-74	4	Screw #10-12 x 1-1/4
29	873 80 04-00	2	Nut 1/4-20 Hex Nyloc
30	539 11 28-99	17	Nut 5/16-18 Hex Flange Nyloc
31	521 99 65-01	12	Nut 3/8-16 Hex Flange Nyloc
32	539 20 02-82	6	Nut 3/8-16 Hex Jam Nyloc
33	539 11 91-24	2	Nut 7/16-14 Hex Nyloc
34	819 11 11-16	13	Washer 5/16 SAE Flat
35	819 14 16-14	6	Washer 3/8 Std Flat
36	819 09 10-16	2	Washer 1/4 SAE Flat

# ENGINE MOUNTING, GUARDS & MUFFLER



Ref.	Part No.	Qty	Description
1	588 01 71-02	1	Plate, Engine Blk
2	587 24 16-01	1	Clutch
3	581 88 11-01	1	Tube, Exhaust Right
4	581 88 10-01	1	Tube, Exhaust Left
5	581 88 67-02	1	Bracket, Muffler Blk
6	532 44 81-45	1	Arm, Idler
7	539 10 12-31	1	Spindle, Idler
8	539 11 03-11	1	Pulley, Idler
9	587 53 74-01	1	Pulley, Engine
10	587 66 01-01	1	Spacer
11	587 63 33-02	1	Stop, Clutch Blk
12	587 45 12-02	1	Guard, Muffler Blk
13	539 13 16-04	1	Muffler Assembly
14	532 19 61-05	1	Spring, Deck Drive
15	532 16 53-91	1	Gasket, Muffler
16	539 13 28-59	1	Shield, Heat
17	581 33 28-03	1	Bolt 7/16-20 x 2-1/2
18	874 78 08-52	1	Bolt 1/2-13 x 3-1/4
19	874 52 06-56	1	Bolt 3/8-16 x 3-1/2
20	872 14 05-06	2	Bolt 5/16-18 x 1 Round Head Square Neck
21	872 14 05-08	2	Bolt 5/16-18 x 3/4 Round Head Square Neck
22	532 18 39-06	4	Screw, Socket Head
23	817 49 05-12	4	Screw 5/16-18 x 3/4 Thread Form
24	817 12 06-16	4	Screw 3/8-16 x 1 Thread Form
25	539 97 69-79	2	Nut 3/8-16 Hex Nyloc
26	873 80 08-00	1	Nut 1/2-13 Hex Nyloc
27	539 11 28-99	5	Nut 5/16-18 Hex Flange Nyloc
28	532 12 61-97	1	Washer, Clutch
29	819 18 22-12	2	Washer 1/2 Flat
30	819 12 14-14	2	Washer 5/16 Std Flat
31	539 11 26-70	1	Washer, Heavy
	NOT SHOWN		
	-----	1	Engine, Briggs & Stratton 44T877 24 HP For Engine Replacement Parts, See a B&S Dealer

# STEERING

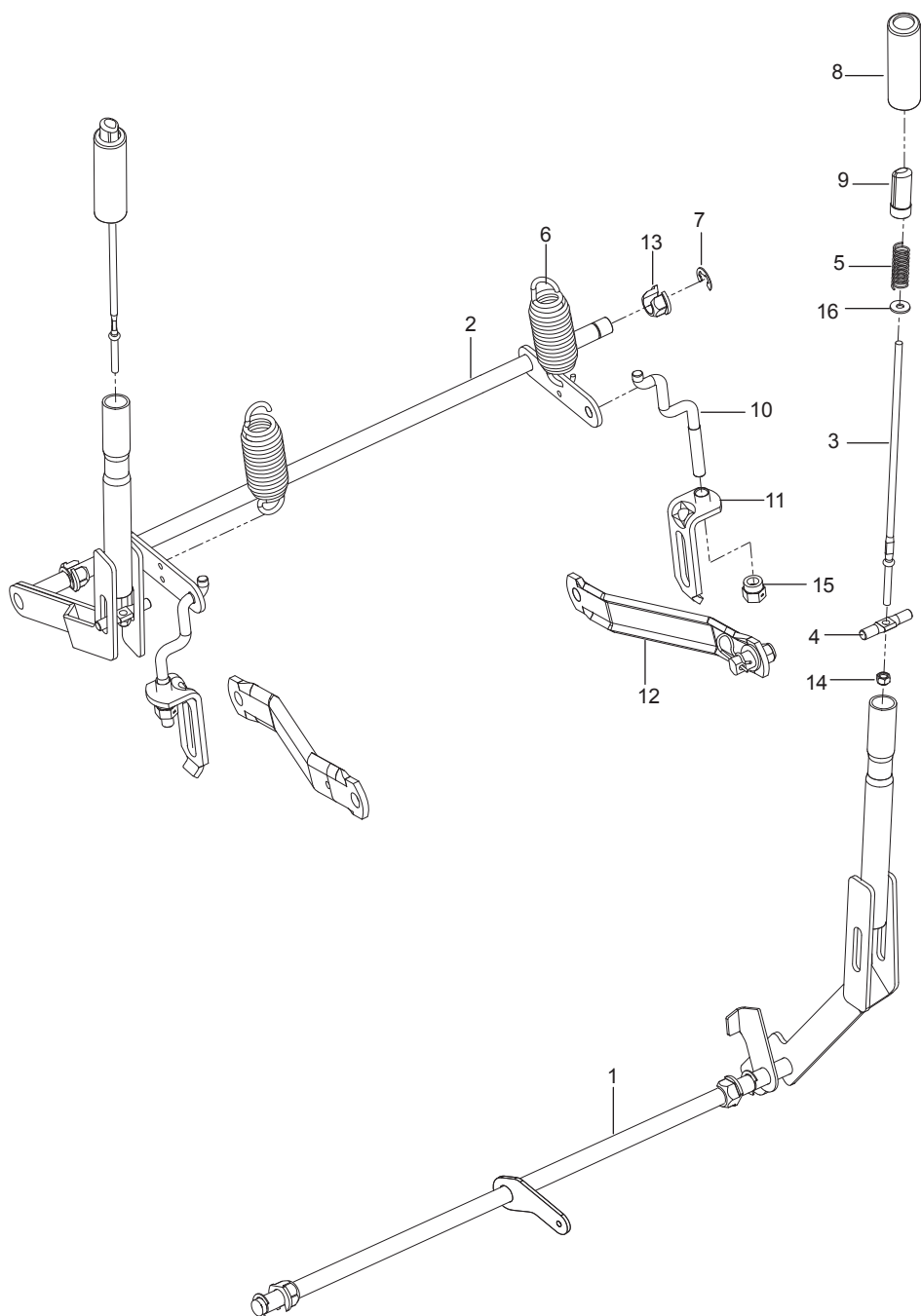


Ref.	Part No.	Qty	Description
1	581 82 67-03	2	Lever w/ Grip
2	525 39 29-01	2	Grip, Foam
3	586 73 72-02	2	Bracket, Control
4	532 43 82-82	4	Bearing
5	587 18 77-01	2	Lever, Control
6	577 42 00-01	2	Lever, Handle
7	584 92 72-01	2	Spacer, Pivot Control
8	539 10 27-20	2	Dampener
9	581 43 75-01	2	Block, Tracking
10	539 10 28-45	2	Spring
11	539 11 66-90	2	Rod End Left
12	539 11 57-29	2	Rod End Right
13	581 62 42-01	2	Rod, Motion Control
14	539 11 66-89	2	Coupler, Rod End
15	874 78 05-28	4	Bolt 5/16-18 x 1-3/4 Tap
16	874 49 05 12	8	Bolt 5/16-18 x 3/4 Hex Flange Head
17	874 78 05-16	4	Bolt 5/16-18 x 1 Hex Head
18	874 78 05-24	2	Bolt 5/16-18 x 1-1/2 Hex Head
19	874 78 08 44	2	Bolt 1/2-13 x 2-3/4 Hex Head
20	578 29 64-03	4	Screw 5/16-18 x 1-1/4 Button Head
21	576 85 04-02	2	Screw 5/16-18 x 1-3/4 Button Head
22	539 11 28-99	12	Nut 5/16-18 Hex Flange Nyloc
23	539 99 05-85	4	Nut 5/16-18 Hex Whiz Lock
24	539 99 02-23	4	Nut 5/16-24 Hex
25	539 99 10-73	2	Nut 5/16-24 Hex Jam LH
26	873 80 05-00	4	Nut 5/16-18 Hex Nyloc
27	539 10 80-10	2	Nut 1/2-13 Hex Jam Nyloc Grade 2
28	539 11 56-17	2	Nut 5/16-18 Thin Nyloc
29	819 11 11-16	10	Washer 5/16 SAE Flat



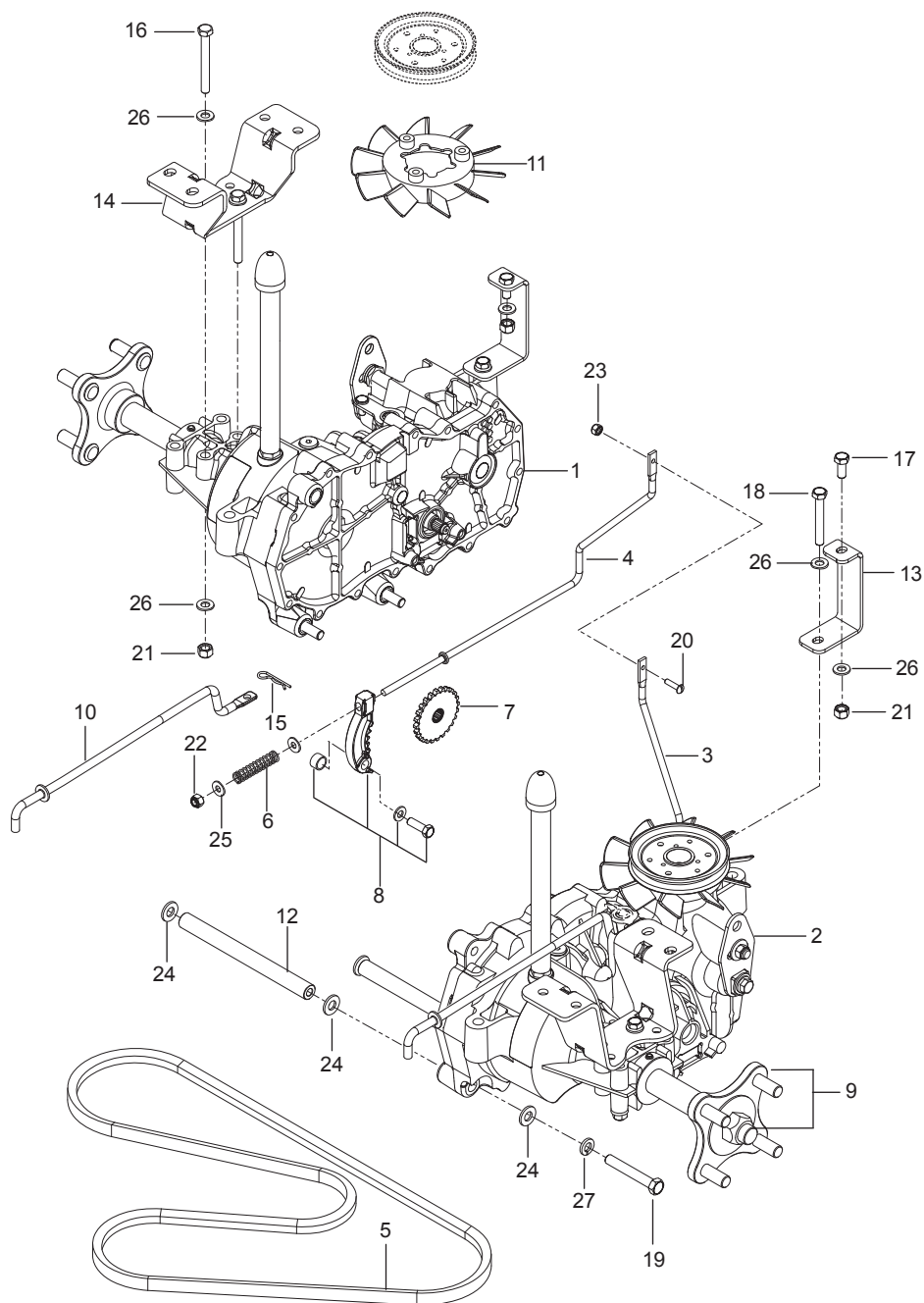
Ref.	Part No.	Qty	Description
1	578 17 90-02	1	Fender, Right Blk
2	576 37 05-01	1	Fender, Left Blk
3	578 18 06-04	1	Assy, Fuel Tank
4	585 12 48-02	1	Cap, Fuel w/ Tether
5	539 11 27-34	1	Cable, Throttle
6	539 11 24-39	1	Control, Choke
7	539 10 75-41	1	Switch, Ignition
8	532 17 46-52	1	Switch, Clutch
9	532 10 95-53	2	Switch, NC
10	539 11 37-92	1	Switch, Brake
11	584 25 46-02	1	Panel, Control
12	539 10 24-36	1	Battery
13	539 13 12-09	1	Tie Down, Battery
14	510 23 13-02	1	Box, Battery Blk
15	532 13 15-63	3	Terminal Cover
16	539 10 27-59	1	Insulator
17	576 61 81-01	1	Valve, Fuel Check
18	532 19 25-07	1	Solenoid
19	539 13 30-49	1	Knob
20	539 10 52-45	1	Grommet, Rubber
21	576 61 82-01	1	Grommet, Check Valve
22	539 11 04-32	1	Elbow
23	576 37 11 01	1	Lens, Left
24	576 37 09-01	1	Rim, Left
25	576 37 12-01	1	Lens, Right Blk
26	576 37 10-01	1	Rim, Right Blk
27	586 12 39-05	1	Assy, Fuel Line
28	587 04 45-48	1	Hose 3/16" Vapor 48"
29	522 55 91-01	1	Shield, Heat
30	586 16 08-01	1	Meter, Service
31	532 14 04-01	1	Key, Ignition
32	581 22 30-01	2	Plate, Tapped
33	539 11 00-68	1	Cable, Negative Blk
34	539 10 33-06	1	Cable, Positive Red
35	817 49 04-08	2	Screw 1/4-20 x 1/2
36	539 11 06-73	2	Screw 10-24 x 3/4 Washer Head
37	539 11 12-29	1	Screw 1/4-20 x 5/8 Button Socket
38	574 82 27-01	4	Screw 10-24 x 3/4 Socket Head
39	872 14 05-06	2	Bolt 5/16-18 x 3/4 Round Head Square Neck
40	872 14 06-08	2	Bolt 3/8-16 x 1 Round Head Square Neck
41	874 32 10-08	2	Bolt 10-24 x 1/2 Hex Head
42	521 99 65-01	2	Nut 3/8-16 Hex Flange Nyloc
43	539 97 69-77	2	Nut 10-24 Hex Nyloc
44	873 80 04-00	5	Nut 1/4-20 Hex Nyloc
45	539 11 28-99	2	Nut 5/16-18 Hex Flange Nylo
46	539 99 00-53	1	Washer 1/4 Internal Lock
	NOT SHOWN		
	585 72 77-01	1	Harness, Wiring

# BRAKE / LIFT



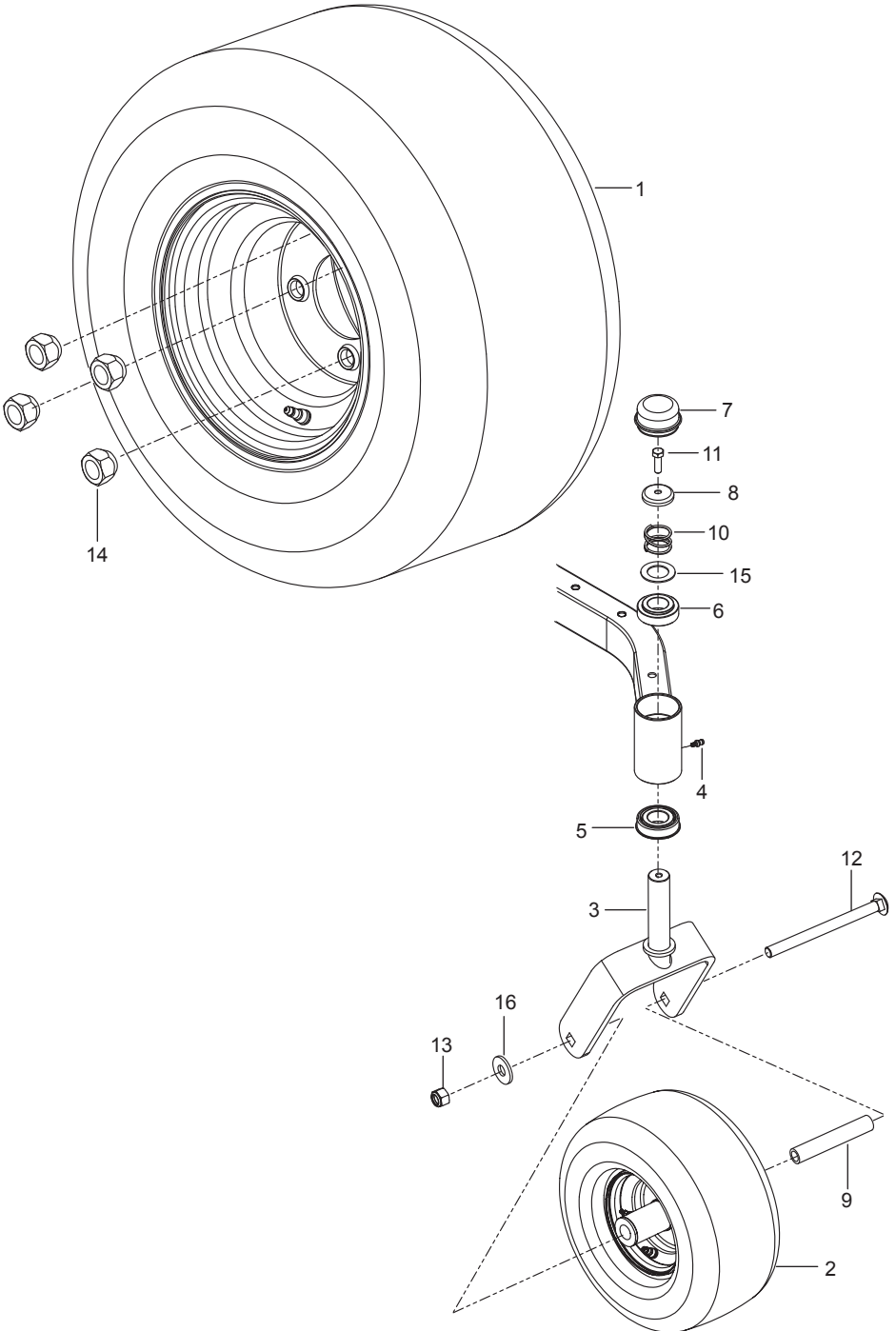
Ref.	Part No.	Qty	Description
1	580 43 58-01	1	Shaft, Brake
2	586 76 02-02	1	Shaft, Lift
3	510 42 29-01	2	Rod, Handle Release
4	580 96 04-01	1	Rod, Latch Release
5	510 03 07-01	2	Spring, Compression
6	539 11 87-62	2	Spring, Lift
7	812 00 00-02	3	E-Ring
8	510 20 72-01	2	Grip, Handle
9	510 20 73-01	2	Button, Push
10	525 84 72-01	2	Link, Rear Suspension
11	522 85 86-01	2	Bracket, Centering Link
12	532 19 51-85	2	Arm, Suspension
13	510 18 49-01	4	Nut, Plastic
14	873 80 04-00	2	Nut 1/4-20 Hex Nyloc
15	532 17 59-94	2	Nut, Lift Link
16	819 09 12-16	1	Washer 1/4 Flat

# HYDRAULIC PUMP-MOTOR



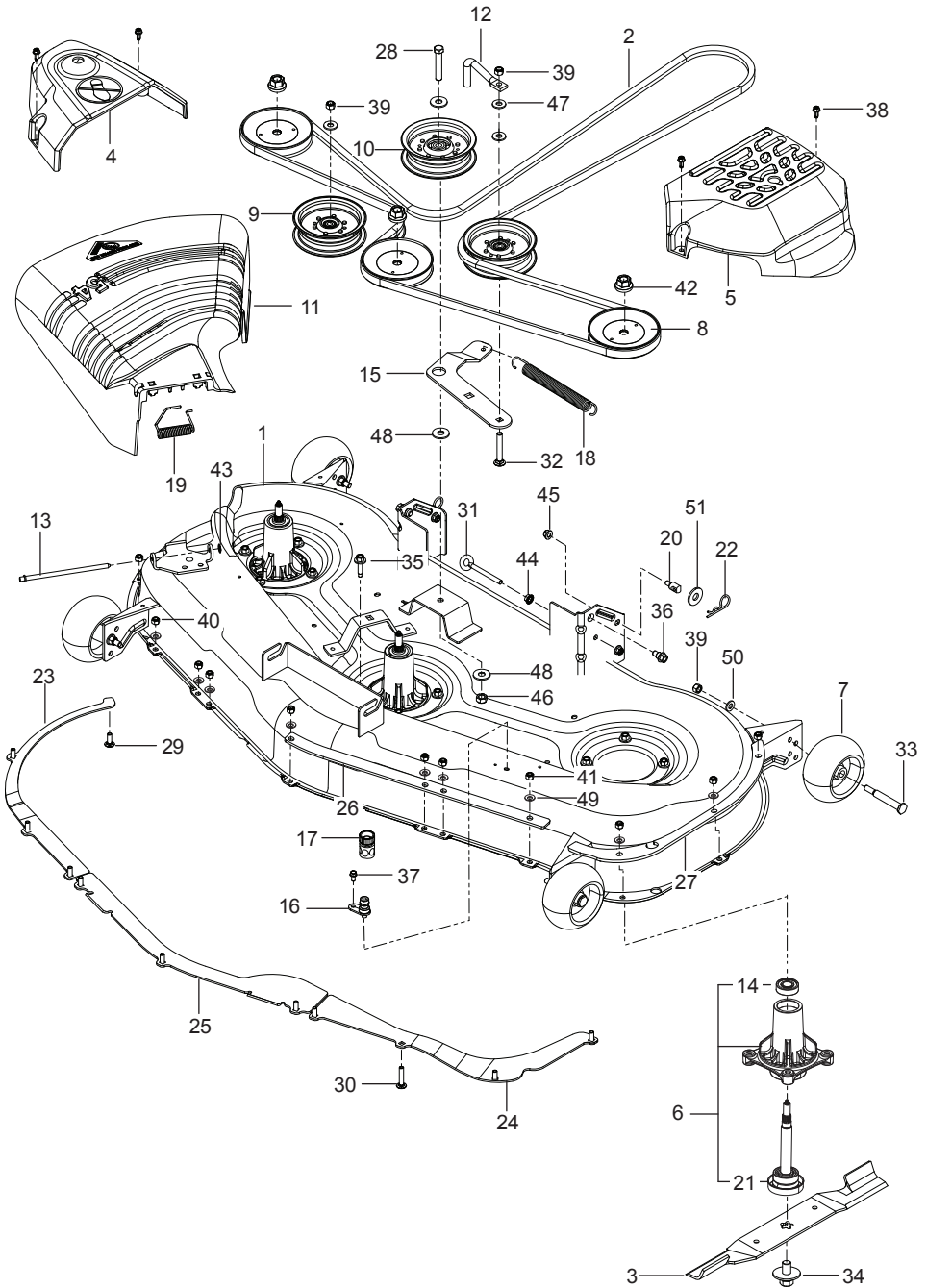
Ref.	Part No.	Qty	Description
1	510 37 56-01	1	EZT, Left
2	510 37 56-02	1	EZT, Right
3	574 03 05-01	1	Rod, EZT Brake Left
4	574 03 05-02	1	Rod, EZT Brake Right
5	539 11 04-11	1	Belt, EZT
6	539 11 03-42	2	Spring, Brake Rod
7	539 12 00-80	2	Cog, Brake Disc
8	539 12 00-79	2	Brake Arm Kit
9	575 50 70-01	1	Hub Kit w/ Hubs, Nuts
10	522 94 11-01	2	Link Arm, Bypass
11	539 12 07-85	2	Blade, Fan
12	510 18 41-04	2	Spacer Tube
13	580 80 65-02	2	Support, EZT Front
14	580 80 66-02	2	Mount, EZT Rear Blk
15	539 97 69-88	1	Pin
16	874 78 05-44	4	Bolt 5/16-18 x 2-3/4 Hex Head
17	874 78 05-12	2	Bolt 5/16-18 x 3/4 Hex Head
18	874 78 05-36	2	Bolt 5/16-18 x 2-1/4 Hex Head
19	874 78 06-40	4	Bolt 3/8-16 x 2-1/2 Hex Head
20	874 81 10-12	1	Screw 10-24 x 3/4 Slotted Round Head
21	873 80 05-00	8	Nut 5/16-18 Hex Nyloc
22	873 80 04-00	2	Nut 1/4-20 Hex Nyloc
23	539 97 69-77	1	Nut 10-24 Hex Nyloc
24	819 13 13-16	8	Washer 3/8 SAE Flat
25	819 09 10-16	4	Washer 1/4 SAE Flat
26	819 11 11-16	14	Washer 5/16 SAE Flat
27	810 03 06-00	4	Washer 3/8 Split Lock

# WHEELS & TIRES



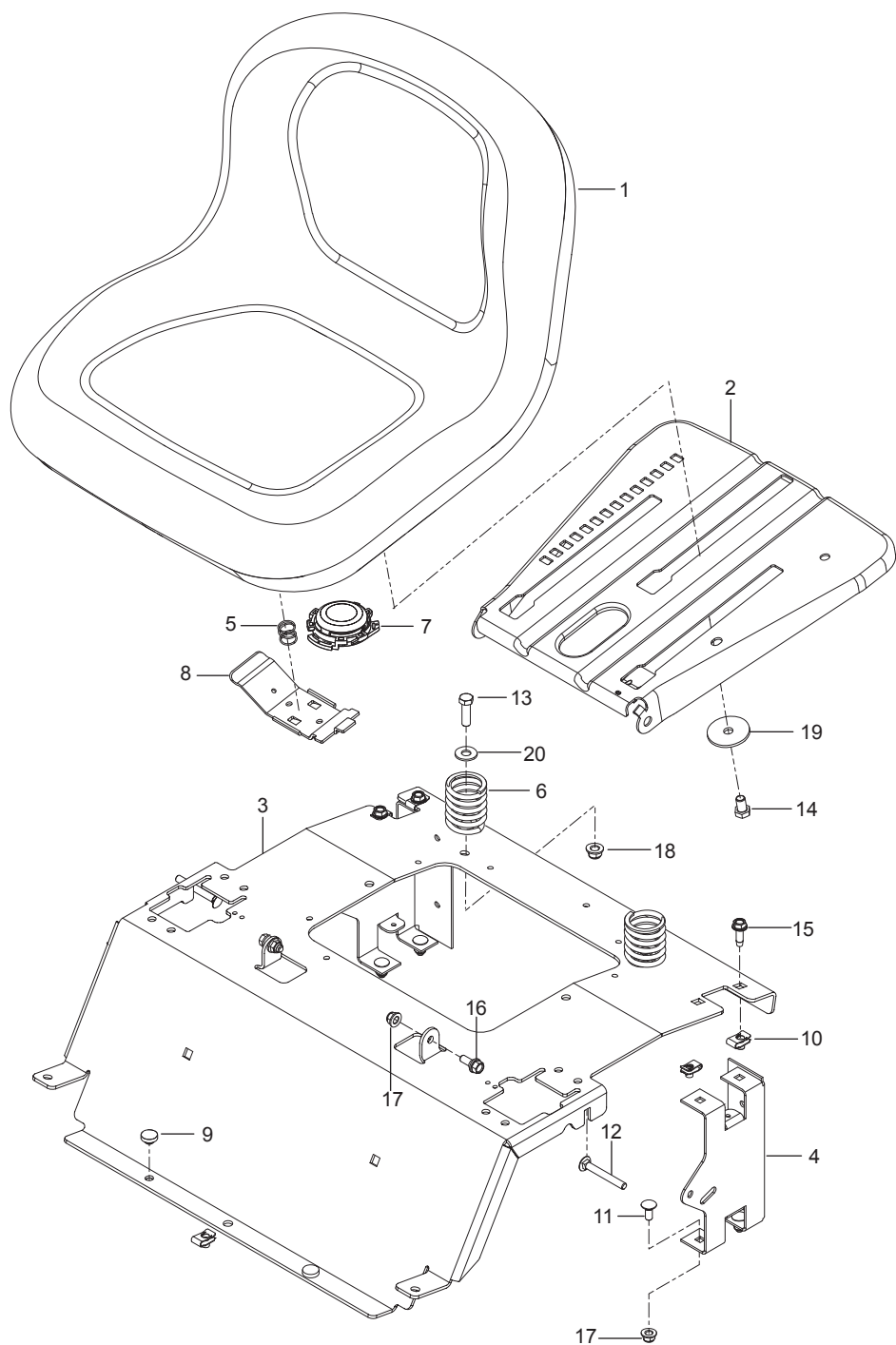
Ref.	Part No.	Qty	Description
1	579 52 78-01	2	Assy, Wheel Rear 18 x 9.5-8
2	576 58 86-02	2	Wheel Assy Caster 11 x 6.5
3	586 65 03-05	2	Yoke Red
4	539 11 56-38	2	Zerk 3/16 Drive
5	539 11 26-60	2	Bearing, Flanged
6	539 11 79-01	2	Bushing, Caster
7	539 10 25-35	2	Grease Cap
8	539 11 57-49	2	Plug, Caster
9	576 58 89-01	2	Spacer, Pivot
10	539 11 57-47	2	Spring, Caster
11	874 95 05-16	2	Bolt, Hex 5/16-18 x 1 w/ Nylon Patch
12	576 60 15-01	2	Bolt 1/2-13 x 7-1/2 Round Head Square Neck
13	873 93 08-00	2	Nut 1/2-13 Hex Center Lock
14	539 10 11-73	8	Nut 1/2 Lug
15	539 11 56-75	2	Washer
16	819 18 22-12	2	Washer 9/16

# MOWER DECK / CUTTING DECK



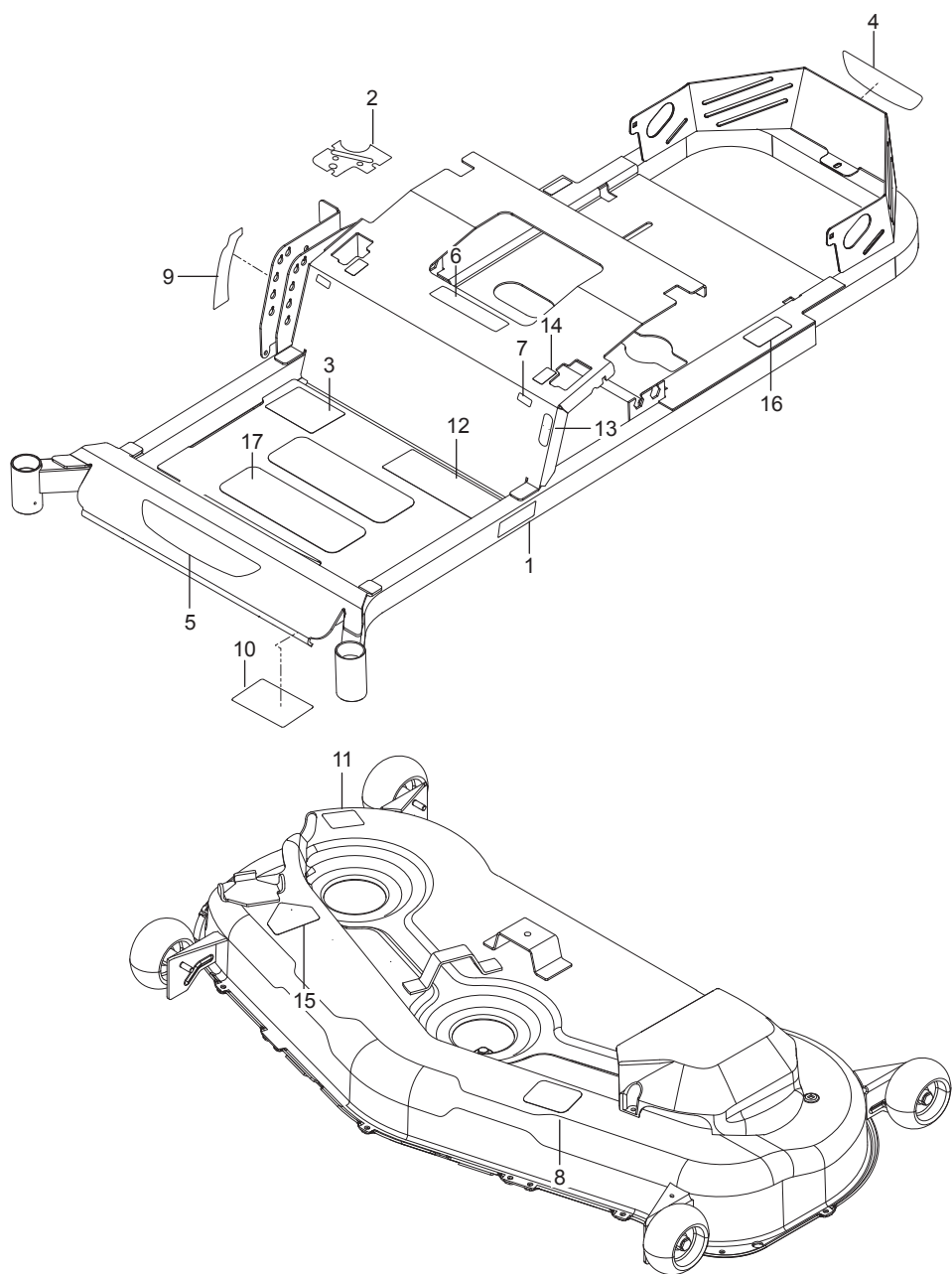
Ref.	Part No.	Qty	Description
1	501 12 91-01	1	Deck w/ decals, Red
2	539 11 45-57	1	V-Belt
3	532 18 72-56	3	Blade, Bagging
4	532 18 72-97	1	Belt Shield, Left
5	532 18 81-87	1	Belt Shield, Right
6	587 12 54-01	3	Assembly, Mandrel
7	532 13 39-57	4	Wheel, Gauge
8	532 17 34-36	3	Pulley
9	532 19 61-06	2	Pulley, Idler
10	532 19 61-04	1	Pulley, Idler
11	532 18 72-57	1	Deflector Blk
12	522 62 97-01	1	Keeper, Belt
13	532 13 14-91	1	Rod, Hinge
14	532 11 04-85	1	Bearing
15	510 22 00-02	1	Arm, Idler
16	532 41 55-98	1	Port, Washout
17	532 41 64-05	1	Coupling, Quick Connect
18	539 12 09-20	1	Spring, Deck Belt
19	532 17 81-02	1	Spring, Torsion
20	532 19 51-61	2	Stud, w/ Anti-Rotate
21	532 18 72-91	1	Shaft
22	539 97 69-89	2	Hairpin #4
23	532 18 73-42	1	Baffle, Right Blk
24	532 18 73-44	1	Baffle, Left Blk
25	532 18 76-07	1	Baffle, Center Blk
26	585 32 26-05	1	Plate, Front
27	585 32 28-05	1	Plate, Side
28	874 78 07-40	1	Bolt 7/16-14 x 2-1/2 Hex Head
29	872 11 05-08	5	Bolt 5/16-18 x 1 Round Head Square Neck
30	872 11 05-10	7	Bolt 5/16-18 x 1-1/4 Round Head Square Neck
31	539 11 55-74	1	Eye Bolt 5/16 x 3-1/2
32	539 12 81-01	1	Bolt 3/8-16 x 2-1/4 Round Head Square Neck
33	532 19 34-06	4	Bolt 3/8-16 x 3-5/8 Shoulder
34	584 30 93-01	3	Bolt, Blade
35	584 95 39-01	12	Bolt 5/16-18 x Hex Washer Head
36	532 19 65-39	2	Bolt, Shoulder
37	817 49 04-08	1	Screw 1/4-20 x 1/2 Hex Washer Head
38	532 13 77-29	4	Screw 1/4-20 x 5/8 Thread Roll
39	873 90 06-00	6	Nut 3/8-16 Hex Nyloc
40	873 80 05-00	5	Nut 5/16-18 Hex Nyloc
41	873 68 05-00	7	Nut 5/16-18 Crown Lock
42	532 40 02-34	3	Nut 9/16 Top Center Lock
43	532 11 04-52	1	Pushnut
44	539 99 05-85	1	Nut 5/16-18 Hex Whiz Lock
45	539 11 28-99	3	Nut 5/16-18 Flange Nyloc
46	539 11 91-24	1	Nut 7/16-14 Hex Nyloc
47	819 14 16-14	3	Washer 3/8 Flat Std
48	539 10 48-64	3	Washer 7/16 Flat
49	819 11 11-16	12	Washer 5/16 SAE Flat
50	819 13 13-16	4	Washer 16 Gauge
51	819 21 21-13	2	Washer 1/2 Flat

# SEAT



Ref.	Part No.	Qty	Description
1	532 40 66-25	1	Seat
2	532 19 69-77	1	Pan, Seat
3	577 26 05-09	1	Support, Seat Red
4	580 30 82-02	2	Support, Seat Rear Blk
5	532 19 82-00	1	Spring, Latch
6	587 61 33-01	2	Spring, Seat
7	539 13 21-40	1	Switch, Seat
8	532 19 76-61	1	Handle, Slide
9	539 10 25-87	2	Grommet, Bumper
10	539 10 47-63	5	Retainer, U Type
11	539 99 03-16	4	Bolt 5/16-18 x 3/4 Round Head Square Neck
12	510 42 27-01	2	Bolt 5/16-18 x 2-1/2 Round Head Square Neck
13	874 78 06-20	2	Bolt 3/8-16 x 1-5/8 Hex Head
14	539 10 85-03	1	Bolt 3/8-16 x 5/8 Hex Head
15	539 10 74-75	4	Bolt 5/16-18 x 3/4 Thread Form
16	539 11 03-03	2	Bolt 5/16-18 Shoulder
17	539 11 28-99	6	Nut 5/16-18 Hex Flange Nyloc
18	521 99 65-01	2	Nut 3/8-16 Hex Flange Nyloc
19	539 11 18-97	1	Washer 3/8 Special
20	539 99 05-17	2	Washer 3/8 Std Flat

# DECALS



Ref.	Part No.	Qty	Description
1	587 46 20-01	1	Decal, Z54R
2	587 45 69-01	1	Decal, Console Jonsered
3	587 49 41-01	1	Decal, Start
4	587 46 93-01	1	Decal, Brand Small
5	587 46 94-01	1	Decal, Brand Large
6	539 10 57-45	1	Decal, Battery Warning
7	587 45 71-01	2	Decal, Tracking
8	539 11 26-20	1	Decal, Belt Routing
9	587 45 70-01	1	Decal, Height Adjust
10	539 10 98-97	1	Decal, Service
11	581 72 44-01	1	Decal, Deflector
12	583 93 40-01	1	Decal, Warning
13	587 45 73-01	2	Decal, Park Brake
14	587 45 72-01	2	Decal, Motion Control
15	584 90 46-01	1	Decal, Danger Belt Drive
16	539 10 83-85	1	Decal, Do Not Tow
17	539 97 77-78	1	Pad, Abrasive



**.Jonsered®**

**[jonsered.com](http://jonsered.com)**

115 71 88-27 Rev C  
2015-11-30