

John Deere

Parts Manual

Z61XFR[®] Zero Turn Mower

967328202-00

Please read the operator manual carefully and make sure you understand the instructions before using the machine.



When you need spare parts or support in service questions, warranty issues, etc., please consult the following professional:

This manual belongs to the machine with the manufacturing number:	Engine	Transmission

Manufacturing Number

The machine's manufacturing number can be found on the printed plate affixed to the engine compartment.

Stated on the plate, from the top are:

- The machine's type designation (I.D.).
- The manufacturer's type number (Model).
- The machine's serial number (Serial no.)

Please have the type designation and serial number available when ordering spare parts.

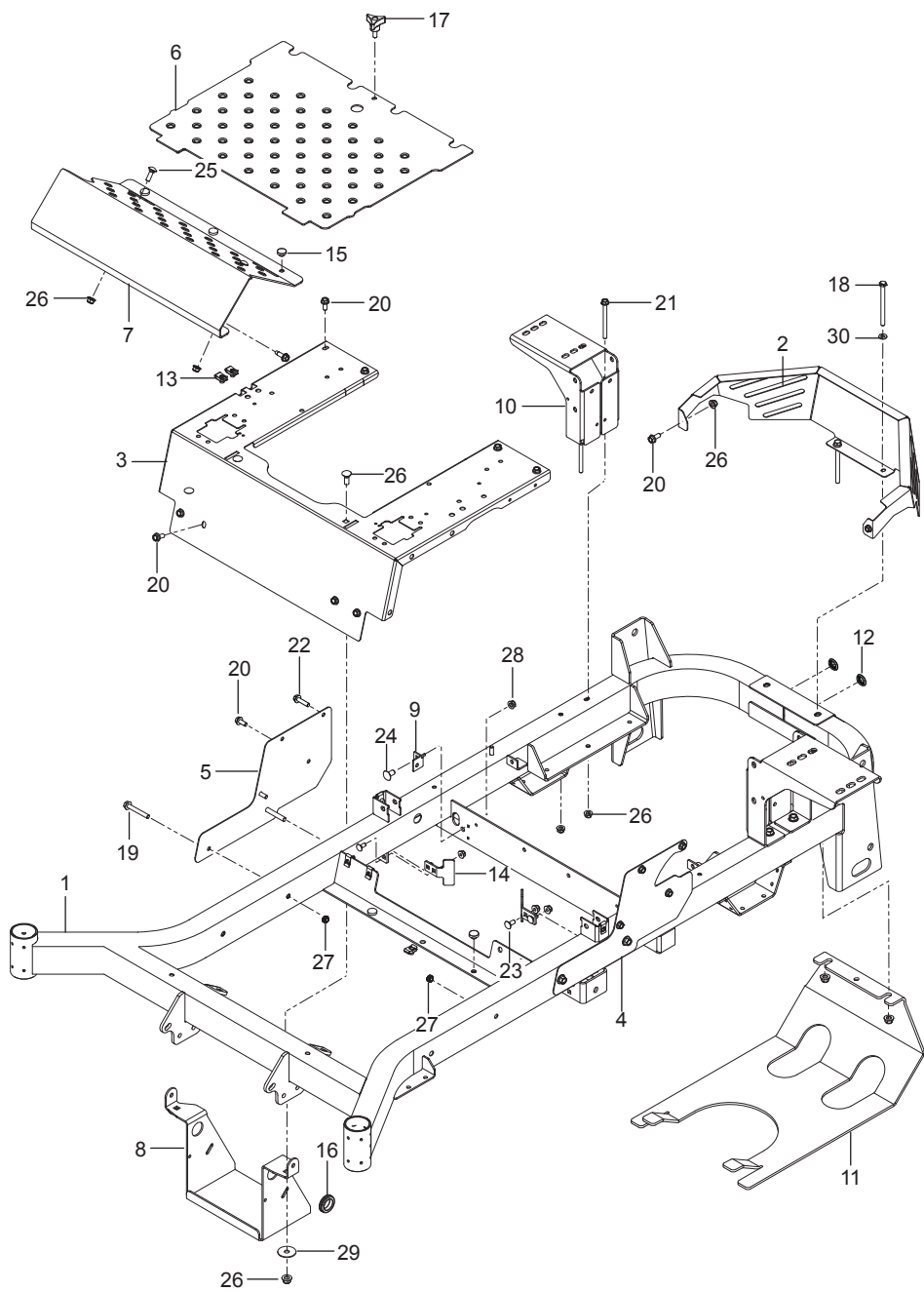
CONTENTS

FRAME	4
ENGINE PLATE.....	6
STEERING	8
IGNITION SYSTEM.....	10
PARKING BRAKE	12
HYDRAULIC PUMP-MOTOR.....	14
WHEELS & TIRES	16
MOWER LIFT / DECK LIFT.....	18
MOWER DECK / CUTTING DECK	20
SEAT	22
DECALS	24
PROTECTION FRAME	26

Illustrations may or may not represent the actual assemblies and it is not recommended to use this manual as a guide to assemble or disassemble the mower.

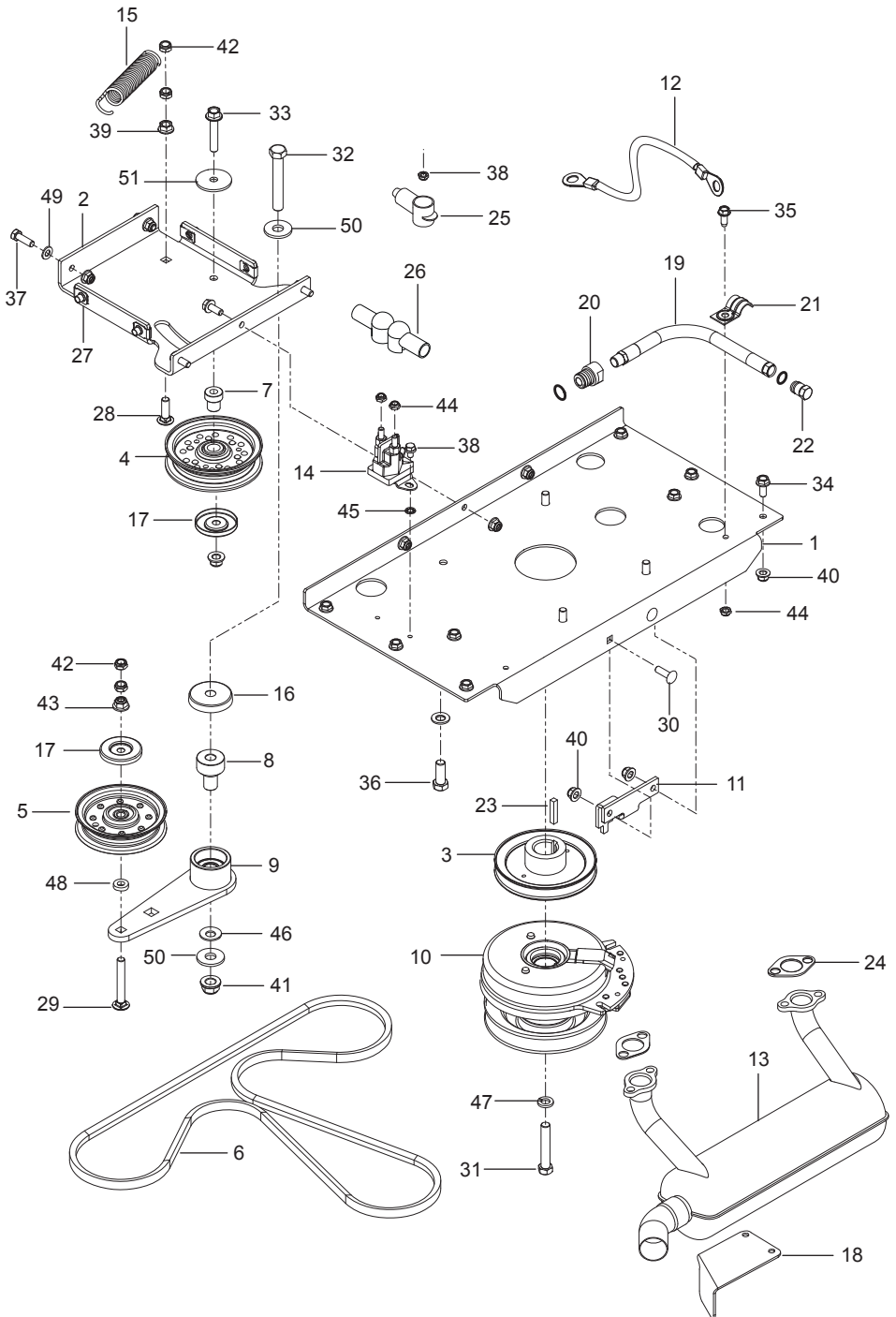
NOTE: All fasteners are Grade 5 unless otherwise specified.

FRAME



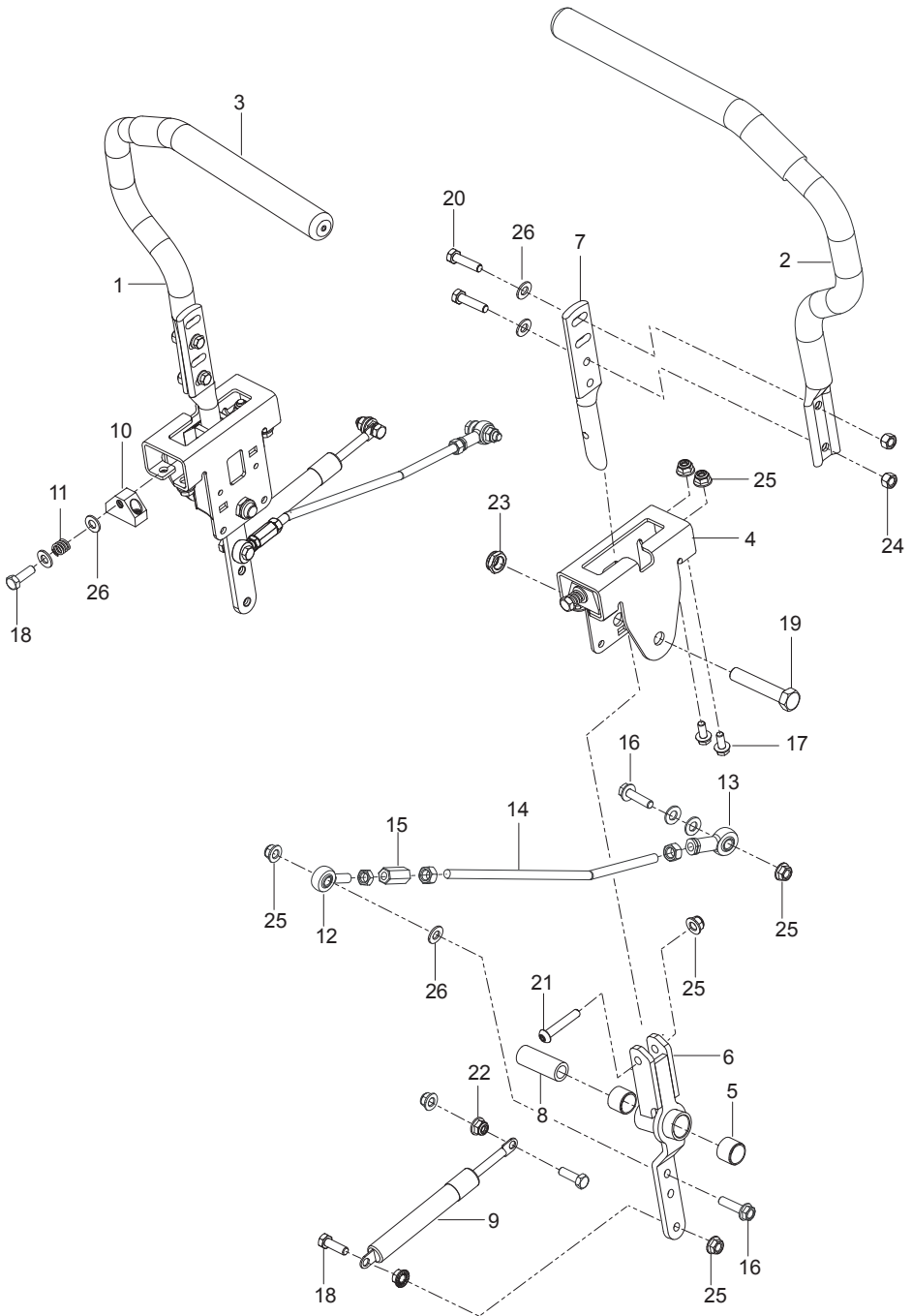
Ref.	Part No.	Qty	Description
1	501 65 60-04	1	Frame w/ Safety Decals Red
2	576 87 85-03	1	Guard, Rear Red
3	586 86 77-05	1	Support, Seat Red
4	586 56 01-02	1	Side, Left Red
5	586 56 02-02	1	Side, Right Red
6	575 62 03-01	1	Plate, Foot Red
7	521 94 13-05	1	Plate, Footrest Red
8	587 04 87-02	1	Bracket, Battery Blk
9	575 24 52-02	2	Bracket, Dampener
10	575 53 36-02	2	Mount, Tank Blk
11	521 92 18-05	1	Guard, Skid Gry
12	587 99 05-01	2	Plug, Frame
13	539 10 47-63	8	Retainer, U Type
14	505 25 64-01	2	Stop, Deck
15	539 10 25-87	5	Grommet, Bumper
16	539 10 59-74	1	Grommet, Rubber
17	539 10 44-11	1	Knob W/ Stud
18	539 10 23-35	2	Bolt 5/16-18 x 4 Hex Head
19	874 49 06-44	4	Bolt 3/8-16 x 2-3/4 Hex Flange Head
20	874 49 05-12	18	Bolt 5/16-18 x 3/4 Hex Flange Head
21	874 49 05 60	4	Bolt 5/16-18 x 3-3/4 Hex Flange Head
22	525 54 40-01	1	Bolt 5/16-18 x 1-1/4 Hex Flange Head
23	872 14 05-06	4	Bolt 5/16-18 x 3/4 Round Head Square Neck
24	539 10 91-17	2	Bolt 3/8-16 x 3/4 Round Head Square Neck
25	539 99 02-08	3	Bolt 5/16-18 x 1 Round Head Square Neck
26	539 11 28-99	12	Nut 5/16-18 Hex Flange Nyloc
27	539 20 02-82	6	Nut 3/8-16 Hex Jam Nyloc
28	521 99 65-01	2	Nut 3/8-16 Hex Flange Nyloc
29	819 13 24-16	2	Washer 16 Gauge Flat
30	819 11 11-16	2	Washer 5/16 SAE Flat Thick

ENGINE MOUNTING, GUARDS & MUFFLER



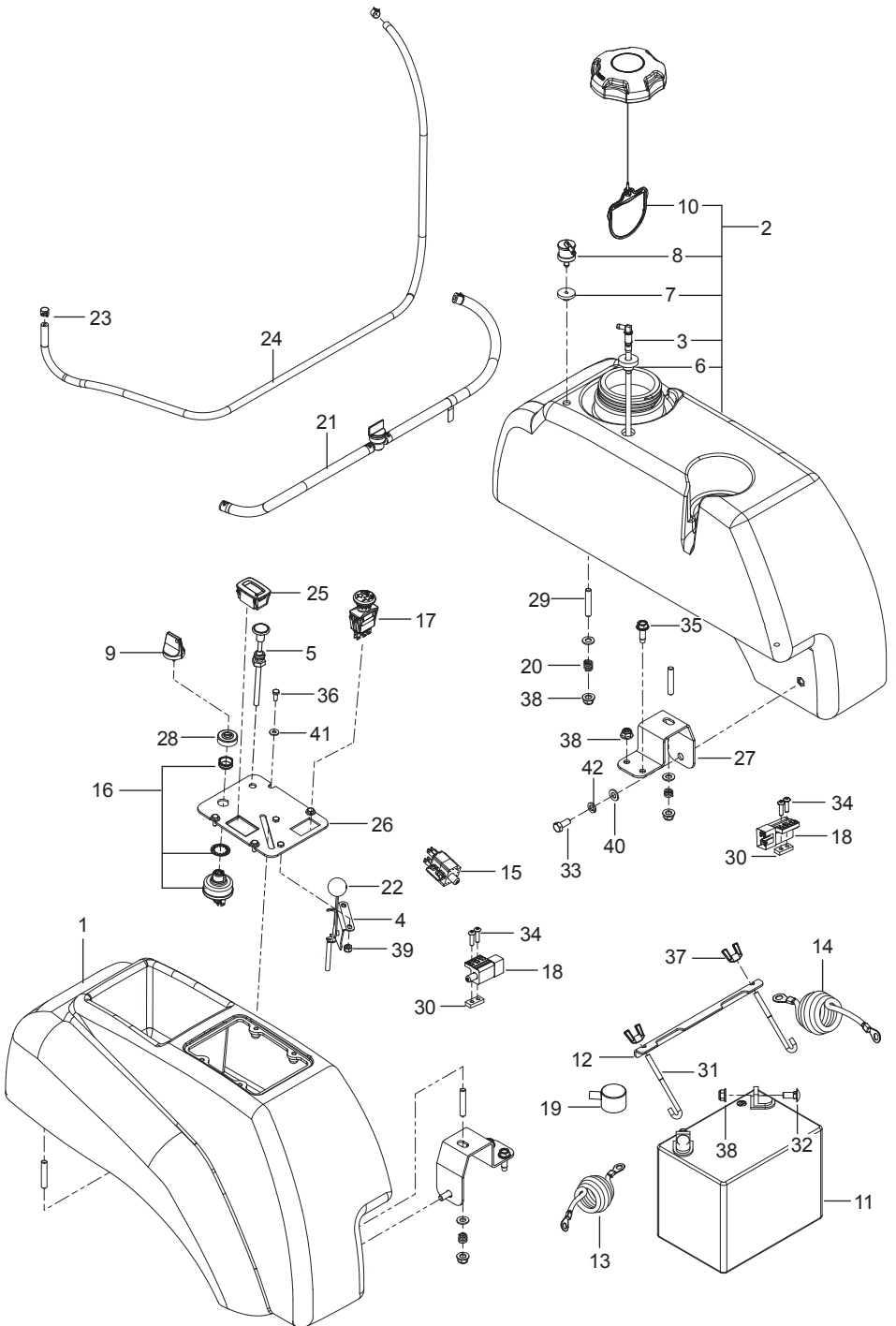
Ref.	Part No.	Qty	Description
1	586 65 14-02	1	Plate, Engine, Blk
2	586 67 04-02	1	Plate, Idler Support, Blk
3	574 81 10-01	1	Pulley, V, 1.125 Bore
4	539 97 66-88	1	Pulley, Idler
5	532 17 58 20	1	Pulley, Idler Secondary
6	574 87 09-01	1	Belt
7	525 43 56-01	1	Pivot, Idler
8	510 20 63-01	1	Pivot, Bearing
9	510 04 16-03	1	Arm, Idler w/ Bearings
10	574 60 70-01	1	Clutch, 200 Ft-Lb
11	575 01 73-02	1	Stop, Clutch Blk
12	539 10 27-57	1	Cable, Positive
13	525 75 02-01	1	Muffler
14	532 19 25-07	1	Solenoid
15	510 25 44-01	1	Spring, Pump
16	539 11 46-62	1	Shield, Dust
17	510 25 45-01	2	Shield, Dust
18	579 15 09-01	1	Shield, Muffler
19	584 82 55-01	1	Hose, Drain
20	522 59 90-01	1	Adapter, Oil Drain
21	539 10 13-63	1	Clamp
22	585 80 71-01	1	Plug, Hose
23	539 91 27-57	1	Key 1/4 Sq x 1-1/4
24	586 83 97-01	2	Gasket, Muffler
25	539 10 27-59	1	Insulator
26	532 13 15-63	2	Insulator
27	539 10 47-63	4	Retainer, U Type 5/16-18
28	872 14 06-10	1	Bolt 3/8-16 x 1-1/4 Round Head Square Neck
29	872 14 06-22	1	Bolt 3/8-16 x 2-3/4 Round Head Square Neck
30	872 11 05-08	2	Bolt 5/16-18 x 1 Round Head Square Neck
31	581 33 28-02	1	Bolt 7/16-20 x 2-1/2 Hex Head
32	874 78 08-52	1	Bolt 1/2-13 x 3-1/4 Hex Head
33	874 49 06-32	1	Bolt 3/8-16 x 2 Hex Flange Head
34	874 49 05-12	11	Bolt 5/16-18 x 3/4 Hex Flange Head
35	874 78 04-08	1	Bolt 1/4-20 x 1/2
36	874 78 06-16	4	Bolt 3/8-16 x 1 Hex Head
37	874 78 05-16	2	Bolt 5/16-18 x 1 Hex Head
38	539 99 03-02	1	Screw 1/4-20 x 3/8 Thread Form
39	873 40 06-00	1	Nut 3/8-16 Hex Whiz Lock
40	539 11 28-99	15	Nut 5/16-18 Hex Flange Nyloc
41	521 99 11-01	1	Nut 1/2-13 Hex Flange Nyloc
42	539 20 02-82	4	Nut 3/8-16 Hex Jam Nyloc
43	521 99 65-01	2	Nut 3/8-16 Hex Flange Nyloc
44	539 10 81-20	2	Nut 1/4-20 Hex Thin
45	539 99 00-53	1	Washer 1/4 Internal Tooth Lock
46	539 11 55-28	1	Washer 1/2 Belleville
47	539 99 02-47	1	Washer 7/16 Slotted
48	539 10 95-62	1	Washer 3/8 x 3/4
49	819 11 11-16	2	Washer 5/16 SAE Flat
50	819 18 22-12	2	Washer 1/2 Flat
51	539 11 18-97	1	Washer, Special
	Not Shown		
	-----		Engine, Kawasaki
			FS691V 23 HP For Engine replacement parts,
			See Kawasaki dealer

STEERING



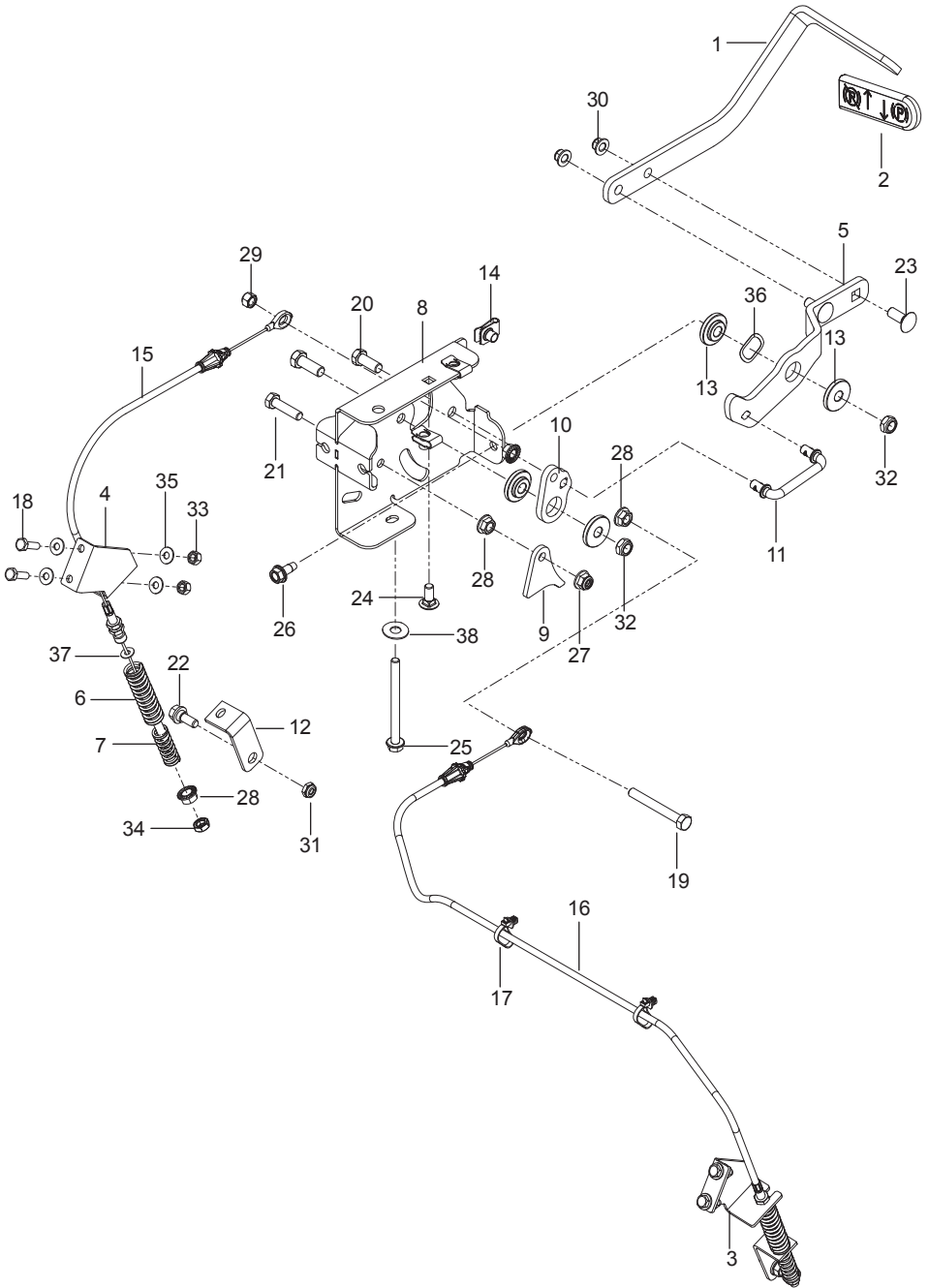
Ref.	Part No.	Qty	Description
1	539 13 20-09	1	Lever w/ Grip Rt
2	539 13 20-10	1	Lever w/ Grip Lt
3	539 13 08-94	2	Grip, Foam
4	585 12 47-05	2	Bracket, Control
5	539 43 82-82	4	Bearing
6	587 18 77 01	2	Lever, Control
7	577 42 00-01	2	Lever, Handle
8	584 92 72-01	2	Spacer, Pivot Control
9	539 10 27-20	2	Dampener
10	581 43 75-01	2	Block, Tracking
11	539 10 28-45	2	Spring
12	539 11 66-90	2	Rod End Left
13	539 11 57-29	2	Rod End Right
14	574 81 14-01	2	Rod, Motion Control
15	539 11 66-89	2	Coupler, Rod End
16	525 54 40-01	4	Bolt 5/16-18 x 1-1/4 Tap
17	874 49 05 12	8	Bolt 5/16-18 x 3/4 Hex Flange Head
18	874 78 05-20	5	Bolt 5/16-18 x 1-1/4 Hex Head
19	874 78 08 44	2	Bolt 1/2-13 x 2-3/4 Hex Head
20	539 97 69-35	4	Bolt 5/16-18 x 1-1/2 Hex Head
21	576 85 04-02	2	Screw 5/16-18 x 1-3/4 Button Head
22	539 99 05-85	4	Nut 5/16-18 Hex Whiz Lock
23	539 10 80-10	2	Nut 1/2-13 Hex Jam Nyloc Grade 2
24	539 99 07-17	4	Nut 5/16-18 Hex Nyloc
25	539 11 28-99	10	Nut 5/16-18 Hex Flange Nyloc
26	819 11 11-16	12	Washer 5/16 Sae Flat

IGNITION SYSTEM



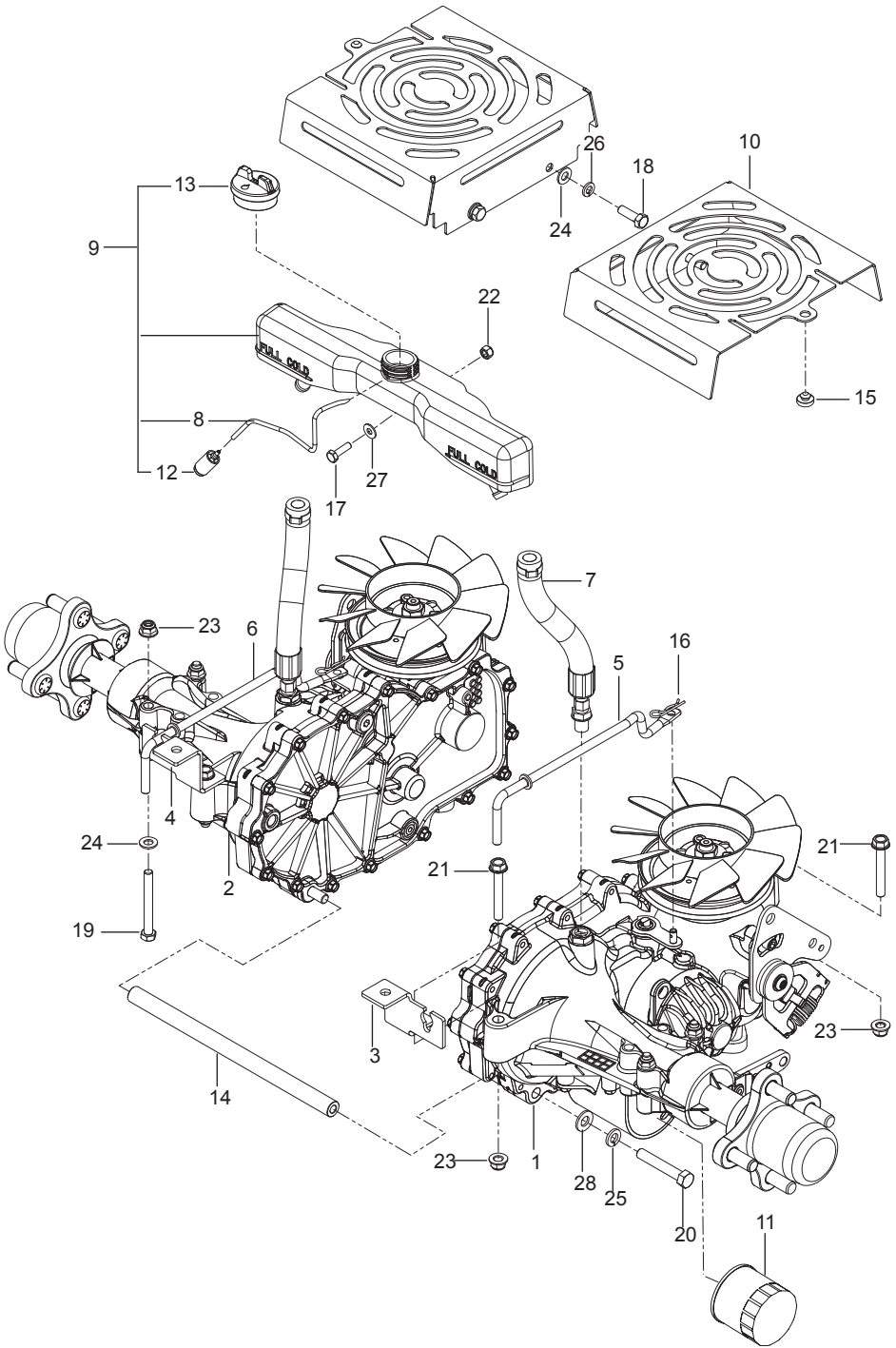
Ref.	Part No.	Qty	Description
1	576 68 37-01	1	Console, Right Blk
2	585 72 23-02	1	Assembly, Tank Left Blk
3	576 46 92-01	1	Fitting, Fuel
4	539 11 24 38	1	Control, Throttle
5	574 20 69-03	1	Control, Choke
6	539 10 52-45	1	Grommet, Rubber
7	576 61 82-01	1	Grommet, Check Valve
8	576 61 81-01	1	Valve, Fuel Check
9	574 45 55-01	1	Key
10	575 01 81-01	1	Fuel Cap w /Tether
11	539 10 24-36	1	Battery
12	588 10 72-01	1	Bracket, Battery Mount
13	588 03 07-01	1	Cable, Battery Pos Red
14	588 03 08-01	1	Cable, Battery Neg Blk
15	539 11 37-92	1	Switch, Brake
16	574 45 54-01	1	Switch, Ignition
17	539 13 16-27	1	Switch, PTO
18	532 10 95-53	2	Switch, Interlock
19	532 43 53-95	1	Cover, Terminal
20	539 10 28-45	6	Spring
21	586 12 39-03	1	Assembly, Fuel Hose
22	539 13 30-49	1	Knob
23	575 43 65-01	2	Clamp, Hose
24	587 04 45-27	1	Hose 3/16 Vapor
25	586 16 18-01	1	Meter, Service
26	574 84 12-03	1	Plate, Console, Blk
27	539 13 16-71	2	Support, Tank Blk
28	539 10 31-78	1	Nutcap, Switch
29	539 10 25-02	6	Stud, Tank
30	581 22 30-01	2	Plate, Nut
31	510 06 40-01	2	Hook, J
32	872 14 05-06	2	Bolt 5/16-18 x 3/4 Round Head Square Neck
33	874 78 05-12	2	Bolt 5/16-18 x 3/4 Hex Head
34	574 82 27-01	4	Screw #10-24 x 3/4 Socket Head
35	539 99 04-11	6	Screw #10-24 x 1/2 Slotted Hex Head
36	817 49 05-16	3	Screw 5/16-18 x 1 Washer Head
37	539 99 09-97	2	Nut 1/4-20 Wing Nut Nyloc
38	539 11 28-99	13	Nut 5/16-18 Hex Flange Nyloc
39	539 97 69-77	2	Nut #10-24 Hex Nylon Ring
40	819 11 11-16	8	Washer 5/16 SAE Flat
41	819 07 08-18	4	Washer 1/2 18 Gauge
42	810 03 05-00	2	Washer, Slotted Lock
	NOT SHOWN		
	585 99 97-01	1	Harness, Wiring

PARKING BRAKE



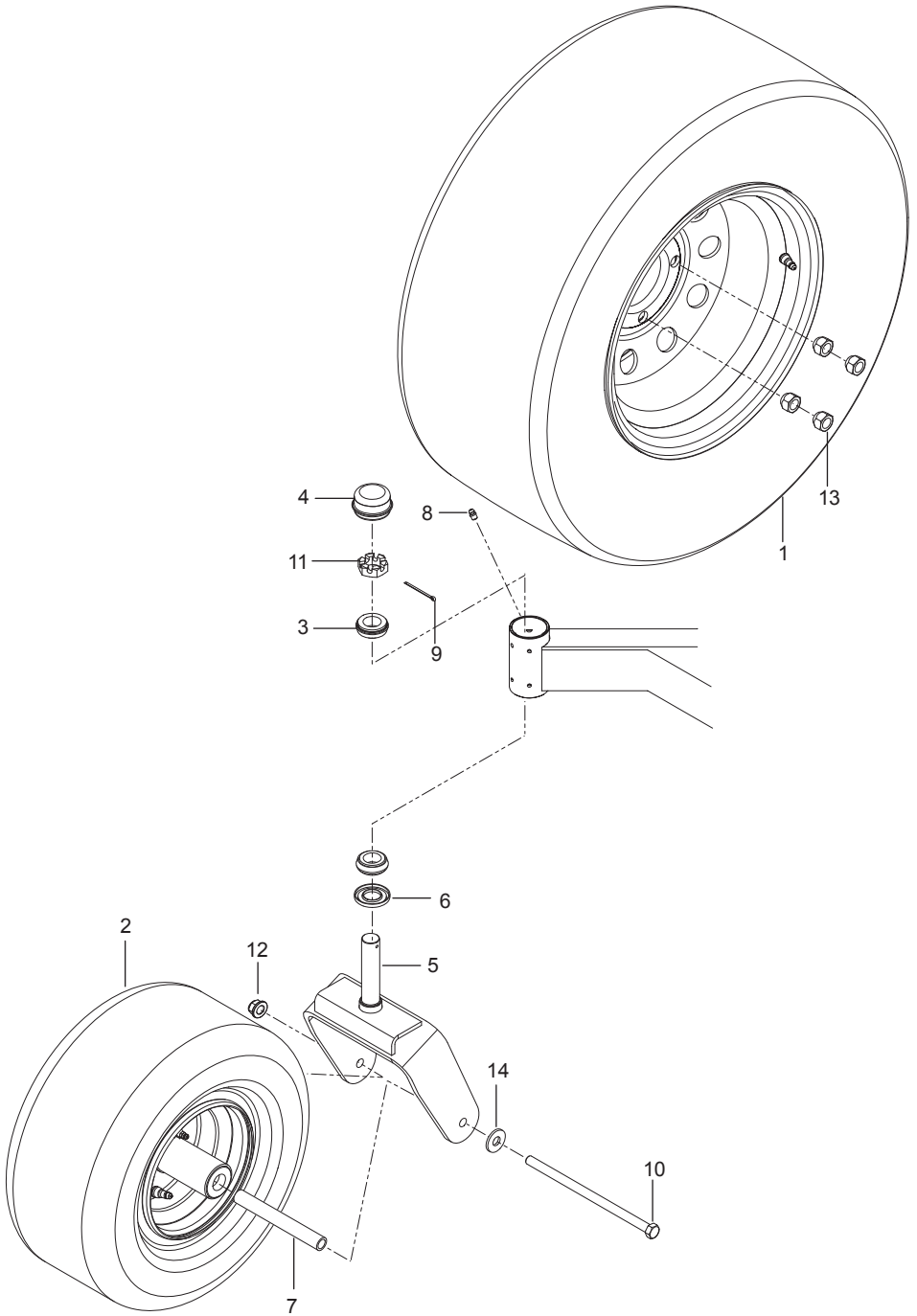
Ref.	Part No.	Qty	Description
1	539 13 21-51	1	Arm, Brake
2	539 10 50-36	1	Grip, Brake Handle
3	575 22 96-02	1	Bracket, Right Blk
4	575 22 97-02	1	Bracket, Left Blk
5	586 73 88-02	1	Lever, Brake
6	575 23 02-01	2	Spring, Return
7	575 23 03-01	2	Spring, Engagement
8	539 13 21-58	1	Mount, Brake
9	539 13 21-54	1	Actuator, Switch
10	539 13 21-53	1	Bellcrank, Brake
11	539 13 24-24	1	Linkage, Brake
12	575 22 98-02	2	Bracket, Brake
13	539 13 21-61	4	Bushing, Brake
14	539 10 47-63	3	Retainer, U Type 5/16-18
15	539 13 21-73	1	Cable, Brake Short
16	539 13 21-74	2	Cable, Brake Long
17	505 28 00-01	2	Tie Wrap w/ Clip
18	539 99 06-43	4	Bolt 1/4-20 x 7/8 Hex Head
19	539 10 83-96	1	Bolt 5/16-18 x 2-1/2 Hex Head Tap
20	539 99 05-63	2	Bolt 3/8-16 x 1 Hex Head
21	539 99 02-09	1	Bolt 5/16-18 x 1 Hex Head
22	539 11 03-03	2	Bolt 5/16 Shoulder
23	539 99 06-45	2	Bolt 3/8-16 x 1 Round Head Square Neck
24	539 99 03-16	1	Bolt 5/16-18 x 3/4
25	539 13 17-80	1	Bolt 5/16-18 x 3-3/4 Hex Flange Head
26	874 49 05-12	1	Bolt 5/16-18 x 3/4 Hex Flange Head
27	539 11 28-99	4	Nut 5/16-18 Hex Flange Nyloc
28	539 99 05-85	5	Nut 5/16-18 Hex Whiz Lock
29	539 99 07-17	1	Nut 5/16-18 Hex Nyloc
30	521 99 65-01	2	Nut 3/8-16 Hex Flange Nyloc
31	539 11 56-17	2	Nut 5/16 Hex Nyloc
32	539 20 02-82	2	Nut 3/8-16 Hex Jam Nyloc
33	539 97 69-78	4	Nut 1/4-20 Hex Nyloc
34	539 10 78-97	2	Nut 5/16-18 Hex Jam
35	539 99 00-55	8	Washer 1/4 SAE Flat
36	539 13 30-07	1	Washer, Wave
37	539 99 01-22	2	Washer 3/8 SAE
38	539 10 95-54	1	Washer 1/2 Flat

HYDRAULIC PUMP-MOTOR



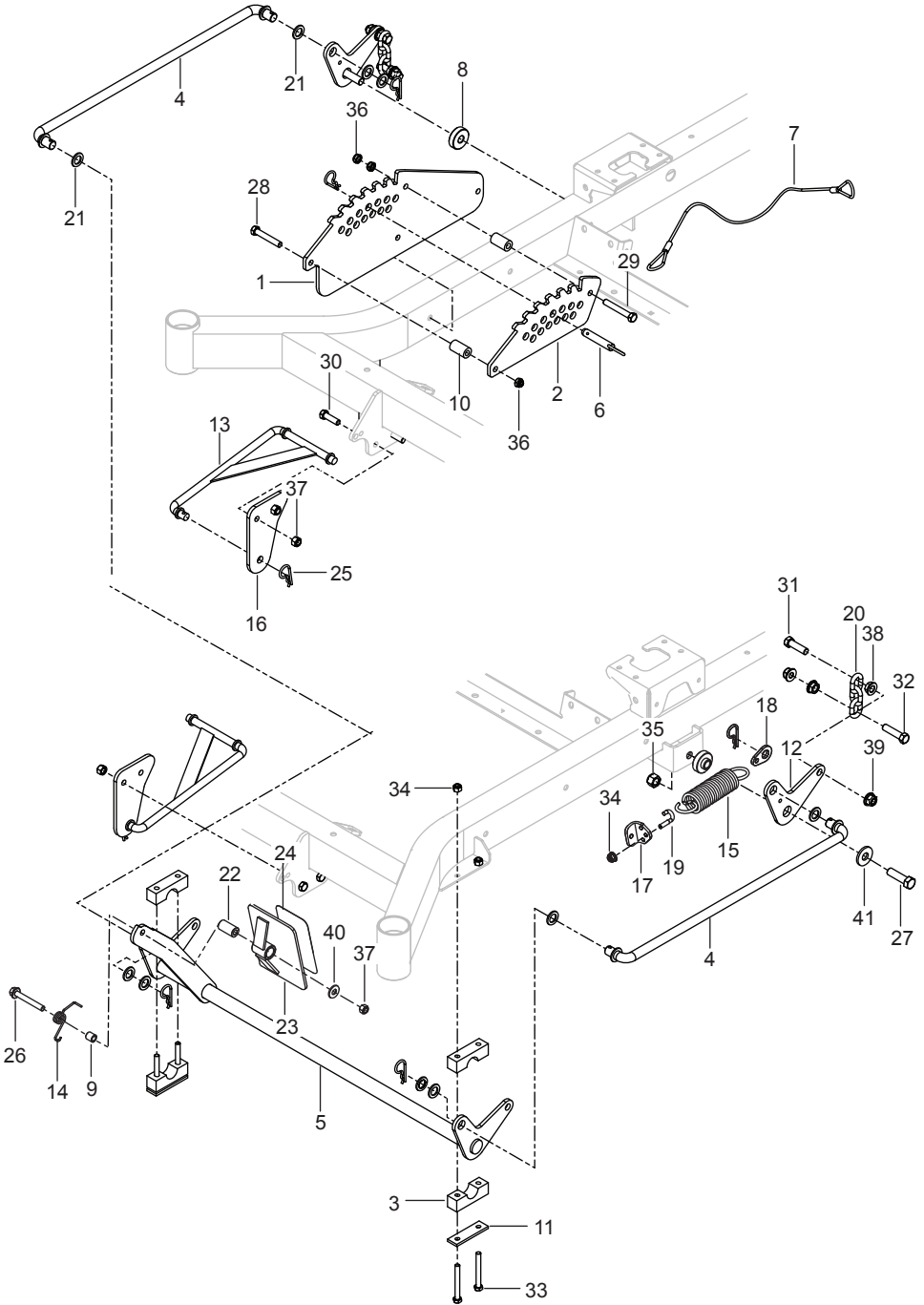
Ref.	Part No.	Qty	Description
1	574 56 91-01	1	Trans, ZT-3400, Left
2	574 56 91-02	1	Trans, ZT-3400, Right
3	575 01 71-02	1	Bracket, Trans, Left
4	575 01 70-02	1	Bracket, Trans, Right
5	539 13 16-16	1	Linkage, Bypass Left
6	539 13 16-18	1	Linkage, Bypass Right
7	574 89 21-01	2	Hose, Expansion
8	586 06 75-01	1	Hose, Fuel
9	585 31 82-01	1	Tank, Expansion
10	584 99 42-02	2	Cover, Fan
11	539 11 34-66	2	Filter, Hydro
12	530 09 56-46	1	Filter
13	586 07 27-01	1	Cap, Tank
14	574 86 85-01	1	Tube, Spacer
15	539 10 25-87	2	Grommet, Bumper
16	539 97 69-88	2	Hairpin Cotter
17	539 99 06-43	1	Bolt 1/4-20 x 7/8 Hex Head
18	539 99 02-09	4	Bolt 5/16-18 x 1 Hex Head
19	539 10 17-21	4	Bolt 5/16-18 x 2-3/4 Hex Head
20	539 10 85-51	2	Bolt 3/8-16 x 2-1/2 Hex Head Grade 8
21	574 23 38-01	4	Bolt 5/16-18 x 2-1/4 Hex Flange Head
22	539 97 69-78	1	Nut 1/4-20 Hex Nyloc
23	539 11 28-99	8	Nut 5/16-18 Hex Flange Nyloc
24	539 99 01-88	8	Washer 5/16 SAE Flat
25	539 99 01-18	2	Washer 3/8 Split Lock
26	539 99 01-87	4	Washer 5/16 Slotted Lock
27	539 99 00-55	1	Washer 1/4 SAE Flat
28	539 99 01-22	2	Washer 3/8 SAE Flat

WHEELS & TIRES



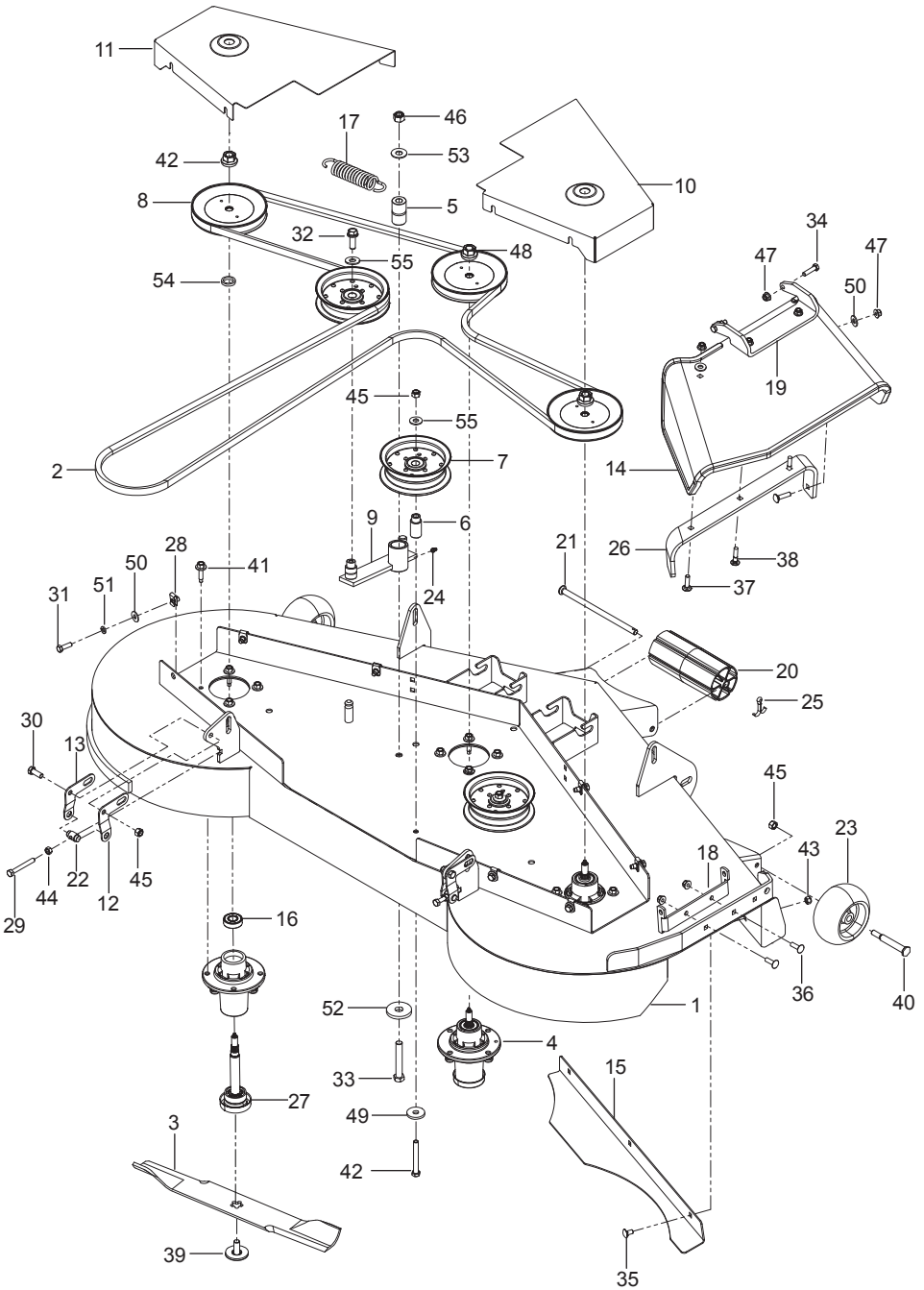
Ref.	Part No.	Qty	Description
1	586 95 54-01	2	Assembly, Wheel 23 x 10.5-12
2	581 19 95-01	2	Assembly, Wheel 13 x 6.5
3	539 10 25-43	4	Bearing
4	539 10 25-35	2	Cap, Grease
5	575 32 92-06	2	Yoke, Caster, Red
6	539 10 28-51	2	Seal
7	575 33 49-01	2	Spacer, Pivot
8	539 10 14-74	2	Zerk
9	539 10 28-89	2	Pin 1/8 x 2 Cotter
10	539 10 55-17	2	Bolt 1/2-13 x 9-1/2 Hex Head
11	539 10 28-52	2	Nut 1-14 Slotted Jam
12	521 99 11-01	2	Nut 1/2-13 Hex Flange Nyloc
13	539 10 11-73	8	Nut 1/2-20 Lug
14	539 10 95-54	2	Washer 1/2 Flat

MOWER LIFT / DECK LIFT

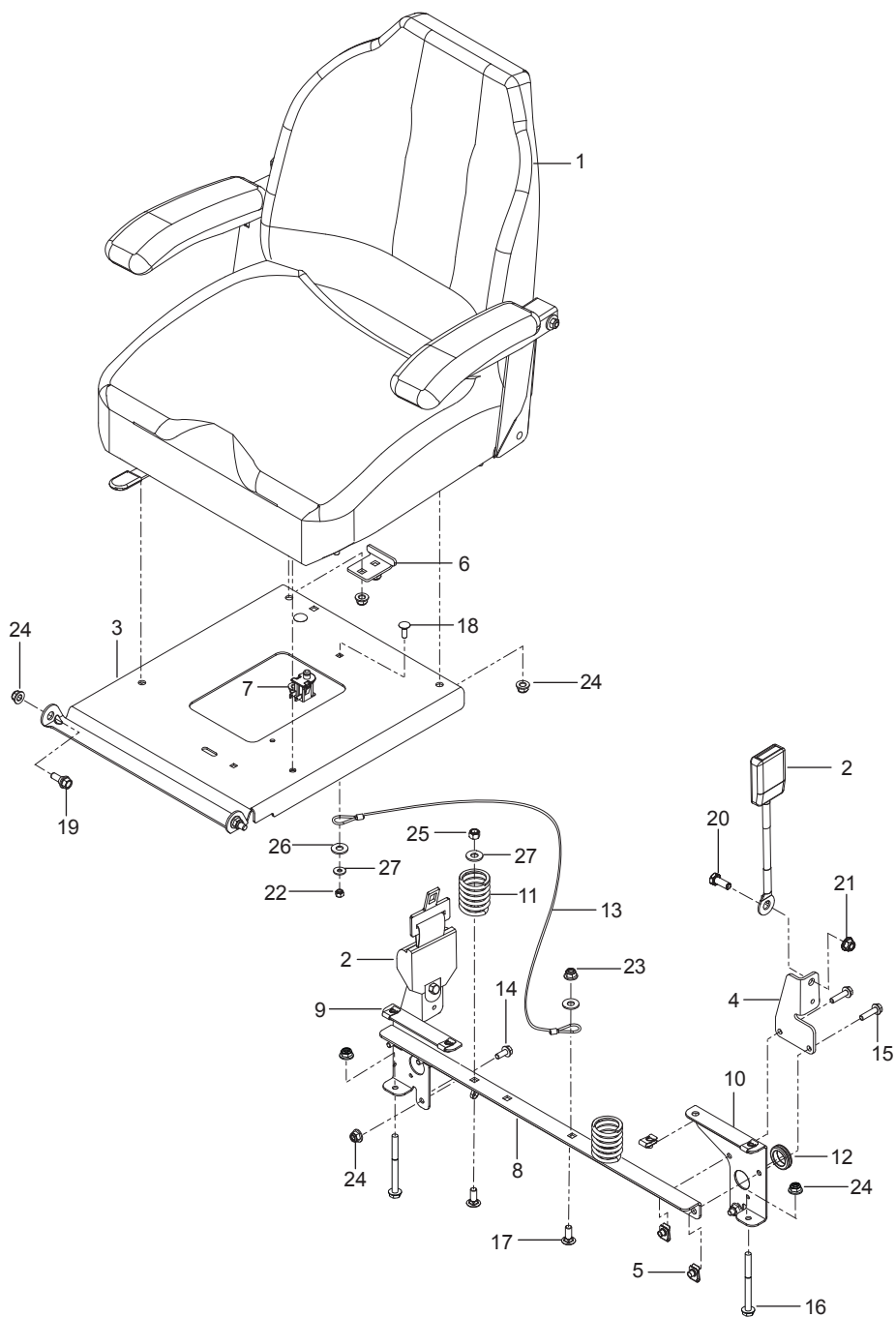


Ref.	Part No.	Qty	Description
1	539 13 30-04	1	Plate, Height, Main
2	539 13 28-99	1	Plate, Height
3	539 10 48-08	4	Pillow Block
4	539 11 08-08	2	Link, Lift
5	584 41 26-01	1	Shaft, Lift
6	539 10 25-26	1	Pin, Lift
7	539 10 50-59	1	Lanyard
8	586 70 17-01	2	Spacer, Idler
9	539 13 28-52	1	Spacer
10	539 10 45-30	2	Spacer
11	584 39 27-02	2	Bar, Reinforcement
12	539 13 23-78	2	Bellcrank, Rear
13	539 11 22-23	2	Linkage, Strut
14	539 13 28-50	1	Spring, Torsion
15	539 10 26-42	1	Spring
16	539 13 20-17	2	Bracket, Strut
17	539 13 17-91	1	Mount, Spring
18	539 13 17-92	1	Tab, Spring
19	539 11 28-96	1	J-Bolt
20	539 10 96-93	4	Lift Chain, 3 Link
21	539 99 10-43	10	Bushing, .625
22	539 10 18-36	1	Bushing, Sleeve
23	539 11 42-80	1	Pedal, Foot
24	539 12 13-22	1	Pad, Foot
25	539 11 55-01	7	Cotter Pin
26	874 49 06-44	1	Bolt 3/8-16 x 2-3/4 Hex Flange Head
27	539 10 81-81	2	Bolt 1/2-13 x 1-3/4 Hex Head Grade 8
28	539 99 06-29	1	Bolt 3/8-16 x 2-1/4
29	539 99 06-37	1	Bolt 3/8-16 x 2-1/2
30	539 99 05 63	4	Bolt 3/8-16 x 1
31	539 10 11-75	4	Bolt 7/16-14 x 1-1/2
32	539 10 80-73	4	Bolt 7/16-14 x 1-3/4
33	539 10 17-21	4	Bolt 5/16-18 x 2-3/4
34	539 11 28-99	6	Nut 5/16-18 Flange Nyloc
35	539 10 13-31	2	Nut 1/2 Hex Nyloc
36	539 20 02-82	3	Nut 3/8-16 Hex Jam Nyloc
37	539 97 69-79	5	Nut 3/8-16 Hex Nyloc
38	539 10 25-82	8	Nut 7/16-14 Hex Whiz Lock
39	539 13 20-19	8	Nut 7/16-14 Hex Whiz Lock Smooth
40	539 99 05-17	1	Washer 3/8 Flat
41	539 10 95-54	2	Washer 1/2 Flat

MOWER DECK / CUTTING DECK

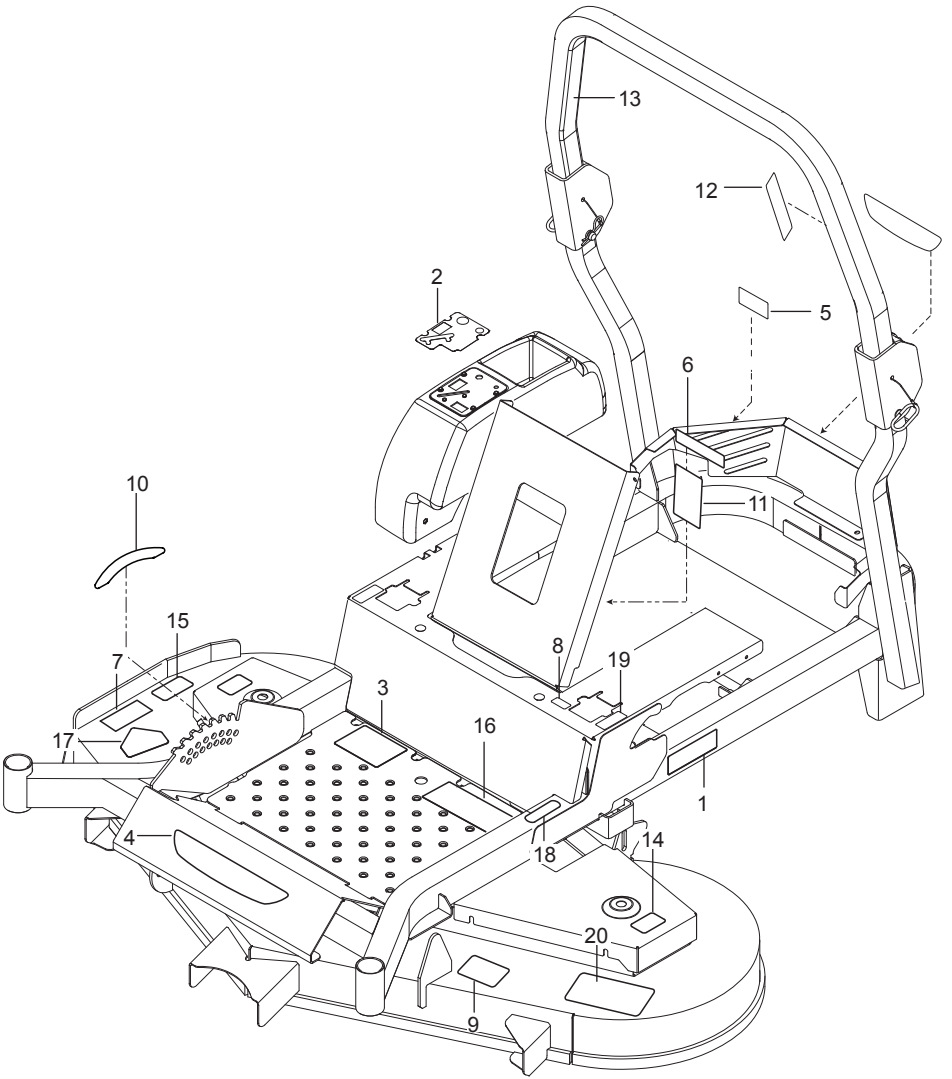


Ref.	Part No.	Qty	Description
1	581 50 54-03	1	Deck w/ Safety Decals Red
2	539 10 43-35	1	Belt, Deck
3	539 11 33-12	3	Blade, 21"
4	539 13 18-98	3	Assembly, Spindle
5	539 10 34-27	1	Bushing, Pivot
6	539 11 21-69	2	Bushing, Idler
7	539 13 27-28	3	Pulley, Idler
8	539 11 33-00	3	Pulley
9	539 11 21-98	1	Arm, Idler
10	587 48 08-01	1	Belt Shield, Right Red
11	587 48 09-01	1	Belt Shield, Left Red
12	584 85 94-02	2	Pitch Adjust, Right
13	584 85 94-04	2	Pitch Adjust, Left
14	539 13 09-01	1	Chute, Discharge
15	539 11 33-17	1	Plate, Confinement
16	532 11 04-85	3	Bearing, Ball
17	539 10 32-56	1	Spring
18	581 60 61-05	1	Bracket Red
19	539 13 09-17	1	Bracket
20	532 17 60-66	1	Roller, Nose
21	532 17 91-27	1	Rod, Roller, Nose
22	539 13 18-59	2	Trunion, Pitch
23	532 13 39-57	2	Wheel, Gauge
24	539 97 69-98	1	Zerk
25	539 99 03-65	2	Pin 1/8 x 3/4 Cotter
26	539 13 09-20	1	Reinforcement, Bracket
27	532 18 72-91	3	Shaft, Spindle
28	539 10 47-63	8	Retainer, U Type 5/16-18
29	539 10 83-96	2	Bolt 5/16-18 x 2-1/2 Hex Head Tap
30	539 99 05-63	2	Bolt 3/8-16 x 1 Hex Head
31	539 97 69-34	8	Bolt 5/16-18 x 3/4 Hex Head
32	539 99 05-82	1	Bolt 3/8-16 x 1 Whiz Lock Hex Head
33	539 10 34-33	1	Bolt 1/2-13 x 3-1/4 Hex Head
34	874 78 05-20	2	Bolt 5/16-18 x 1-1/4 Hex Head
35	539 99 07-99	3	Bolt 5/16-18 x 5/8 Round Head Square Neck
36	872 11 05-08	2	Bolt 5/16-18 x 1 Round Head Square Neck
37	539 10 04-72	2	Bolt 5/16-18 x 1-1/4 Round Head Square Neck
38	539 10 29-33	2	Bolt 5/16-18 x 1-1/2 Round Head Square Neck
39	532 19 30-03	3	Bolt 7/16 Blade
40	532 13 76-44	2	Bolt 3/8-16 x 3-3/8 Shoulder
41	584 95 39-01	12	Bolt, Washer Head
42	874 78 06-48	2	Bolt 3/8-16 x 3 Hex Head
43	539 99 07-17	3	Nut 5/16-18 Hex Nyloc
44	539 99 01-96	2	Nut 5/16-18 Hex
45	539 97 69-79	6	Nut 3/8-16 Hex Nyloc
46	539 10 13-31	1	Nut 1/2 Hex Nyloc
47	539 11 28-99	8	Nut 5/16-18 Hex Flange Nyloc
48	532 40 02-34	3	Nut 9/16 Top Center Lock
49	539 10 65-04	2	Washer, Heavy
50	539 99 06-92	11	Washer 5/16 Flat
51	539 10 96-00	8	Washer 5/16 Spring
52	539 10 22-43	1	Washer, Support
53	539 99 05-50	1	Washer 1/2 Flat
54	532 18 76-90	3	Washer, Spacer
55	539 99 05-17	3	Washer 3/8 Flat



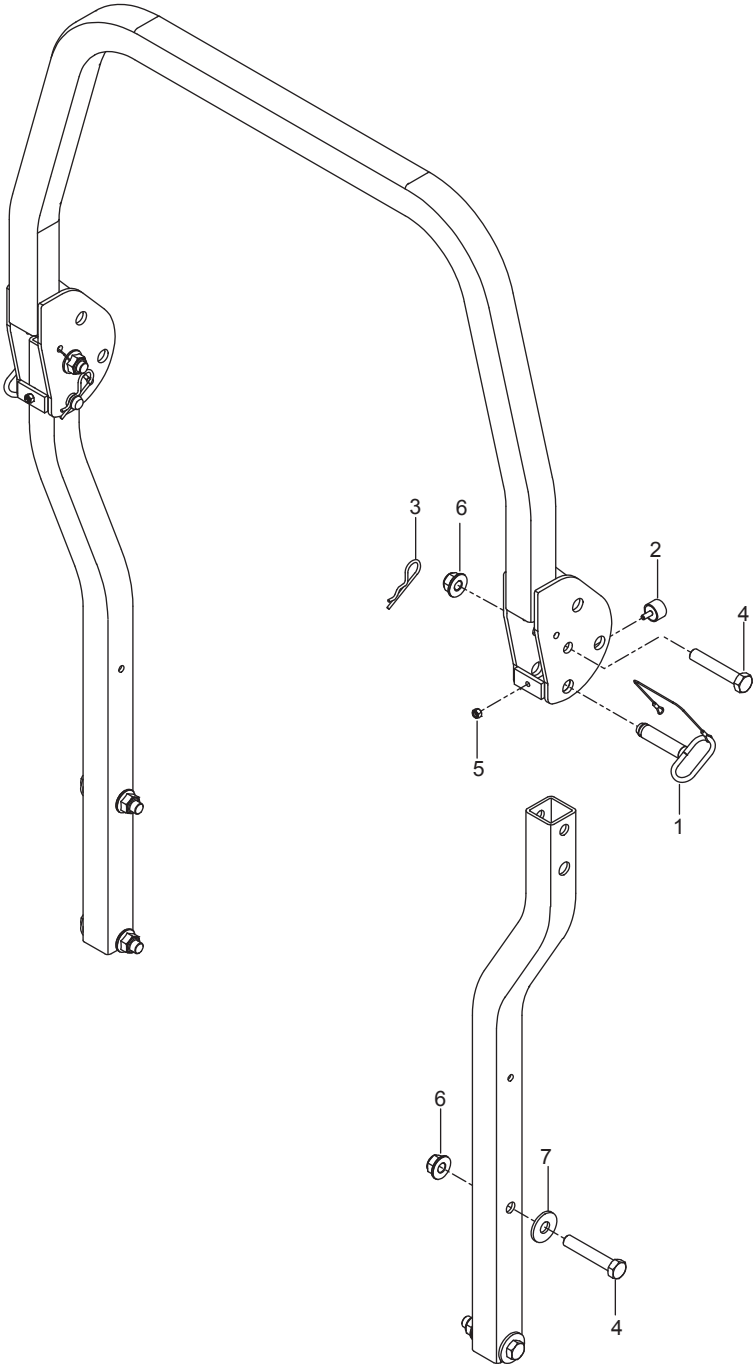
Ref.	Part No.	Qty	Description
1	586 18 84-01	1	Assembly, Seat
2	539 13 03-59	1	Assembly, Seat Belt
3	586 86 78-05	1	Mount, Seat Red
4	584 91 68-02	2	Mount, Seat Belt
5	539 10 47-63	8	Retainer, U Type
6	539 13 07-93	1	Deck Stop
7	539 11 97-41	1	Switch, Seat
8	584 80 91-02	1	Support, Seat Blk
9	584 99 01-02	1	Support, Right Blk
10	584 99 02-02	1	Support, Left Blk
11	587 61 33-01	2	Spring, Seat Blk
12	539 10 59-74	1	Grommet Rubber
13	539 10 32-47	1	Lanyard, Seat
14	874 49 05-12	2	Bolt 5/16-18 x 3/4 Hex Flange Head
15	525 54 40-01	4	Bolt 5/16-18 x 1-1/4 Hex Flange Head
16	874 49 05-60	2	Bolt 5/16-18 x 3-3/4 Hex Flange Head
17	872 14 06-08	3	Bolt 3/8-16 x 1 Round Head Square Neck
18	872 11 04-06	1	Bolt 1/4-20 x 3/4 Round Head Square Neck
19	539 13 08-96	2	Bolt 5/16-18 Shoulder
20	539 12 47-75	2	Bolt 7/16-20 x 1 Hex Head
21	539 99 03-94	2	Nut 7/16-20 Hex Lock
22	873 80 04-00	1	Nut 1/4-20 Hex Nyloc
23	521 99 65-01	1	Nut 3/8-16 Hex Flange Nyloc
24	539 11 28-99	10	Nut 5/16-18 Hex Flange Nyloc
25	873 80 06-00	2	Nut 3/8-16 Hex Nyloc
26	819 09 12-16	1	Washer 1/4 Flat
27	819 14 16-14	4	Washer 3/8 Flat

DECALS



Ref.	Part No.	Qty	Description
1	501 59 38-01	1	Decal, Z61XFR 61
2	587 45 74-01	1	Decal, Console Jonsered
3	587 49 41-01	1	Decal, Start
4	587 46 94-01	2	Decal, Brand
5	539 10 57-44	1	Decal, Danger Belt Drive
6	539 10 57-45	1	Decal, Battery Warning
7	539 10 57-46	1	Decal, Severing
8	588 88 95-01	2	Decal, Tracking
9	539 11 26-20	1	Decal, Belt Routing
10	587 45 75-01	1	Decal, Height Adjust
11	539 13 21-87	1	Decal, Service
12	574 56 90-02	1	Decal, ROPS, Warning
13	574 56 90-05	1	Decal, ROPS
14	581 72 43-01	2	Decal, No Step
15	581 72 44-01	1	Decal, Deflector
16	583 93 40-01	1	Decal, Warning
17	584 90 46-01	1	Decal, Blade Warning
18	588 88 93-01	2	Decal, Park Brake
19	587 45 72-01	2	Decal, Motion Control
20	539 12 13-22	1	Pad, Abrasive Small

PROTECTION FRAME



Ref.	Part No.	Qty	Description
1	574 38 80-01	2	Latch Pin w/ Lanyard
2	522 80 14-01	2	Bumper, Male Stud 1/4-20
3	539 20 07-15	2	Pin, Hair
4	580 75 46-01	6	Bolt 5/8-11 x 3-1/2 Hex Head
5	873 80 04-00	4	Nut 1/4-20 Hex Nyloc
6	525 82 91-01	6	Nut 5/8-11 Flange Nyloc
7	539 10 26-53	4	Washer 5/8 Std Flat
	NOT SHOWN		
	575 27 48-01	1	Assembly, ROPS w/ Seat Belt



.Jonsered®
jonsered.com

115 78 21-27 Rev A
2015-09-15